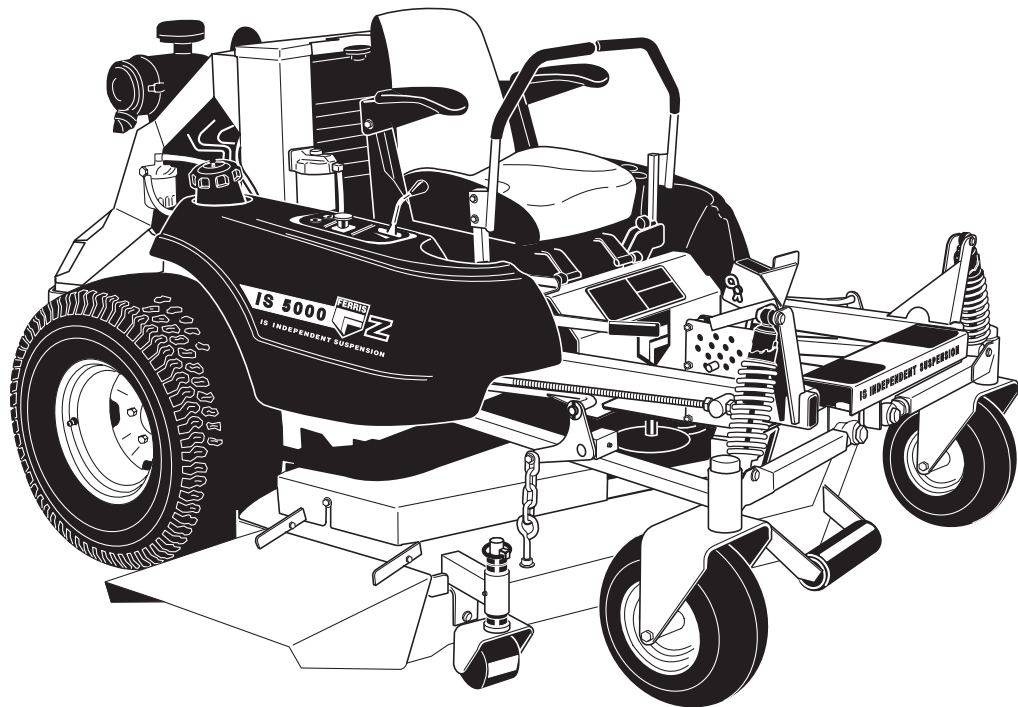




PARTS MANUAL

IS5000Z Series

Zero-Turn Riding Mower



Tractor:	Mower Deck:
Model	Model
IS5000Z/C31D	5000/72
IS5000Z/C31DCE	5000/72R
IS5000ZC31D61CE	5000/61R
IS5000Z/D34	

Ferris Industries
5375 North Main Street
Munnsville, NY 13409
800-933-6175

22903
Revision 11
Rev. Date: 6/2004
TP 400-7061-11-5Z-F

TRACTOR COMPONENTS

Main Frame & Front Suspension Group2
 Floor Pan, Brake Cover & Control Shields Group 4
 Seat & Mount Group6
 Seat Compartment Group8
 Fuel Tank & Mount Groups10
 Fuel Supply Hose & Tank Replacement Parts Group - Diesel14
 Fuel Supply Hose & Tank Replacement Parts Group - Gas16
 Instrument & Control Panel Groups - Diesel18
 Instrument & Control Panel Group - Gas22
 Engine & Mount Group - Diesel24
 Engine Accessories & Service Parts Groups - Diesel26
 Radiator Mount & Service Parts Group34
 Engine & Mount Group - Gas36
 Engine Accessories & Service Parts Group - Gas38
 Pump Mount & Drive Group - Diesel40
 Pump Mount & Drive Group - Gas42
 PTO Clutch & Anchor Group44
 Gearbox & Mount Group46
 Motion Control Group - Upper48
 Motion Control Group - Lower50
 Hood, Bumper & Shield Groups - Diesel52
 Hood, Bumper & Shield Group - Gas56
 Oil Cooler, Mount & Radiator Overflow Groups58
 Hydraulic Groups - Diesel62
 Hydraulic Group - Gas66
 Parking Brake Group - Upper68
 Parking Brake Group - Lower70
 Rear Suspension Group72
 Mower Deck Lift Group74
 Wheels & Tires Group76
 Electrical Schematics78-93
 DIESEL78-89
 GAS90-93
 Decals - Brand, Model, Safety & Operation94 - 99

MOWER DECK COMPONENTS

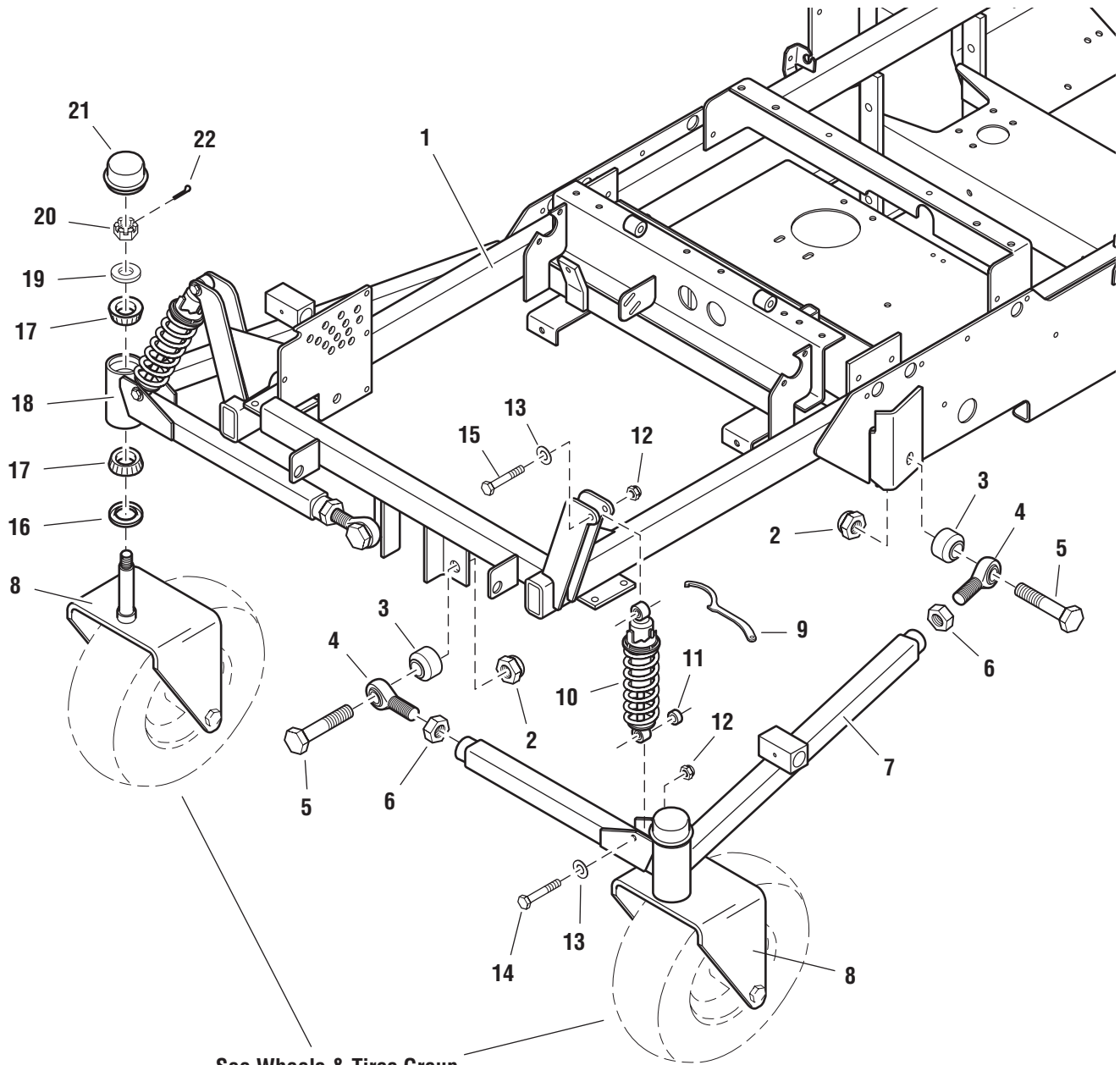
61" Mower Deck - Housing, Cover, Spindles & Blades100
 61" Mower Deck - Deflector & Shield102
 61" Mower Deck - Pulleys, Belt & Idler Arm104
 61" Mower Deck - Rollers106
 72" Mower Deck - Housing, Cover, Spindles & Blades108 & 110
 72" Mower Deck - Deflector & Shield112
 72" Mower Deck - Belt, Pulleys & Idler Arm114
 72" Mower Deck - Rollers & Casters116
 All Mower Decks - Hanger Chains118
 All Mower Decks - Rear Mount Bars120

REFERENCE INFORMATION:

Torque Specification ChartInside Back Cover

Main Frame & Front Suspension Group

NOTE: Unless noted otherwise,
use the standard hardware torque
specification chart.



The above parts group applies to the following Model Nos.:

IS5000Z/C31D

IS5000Z/D34

IS5000Z/C31DCE

IS5000ZC31D61CE

Main Frame & Front Suspension Group

REF NO.	PART NO.	QTY.	DESCRIPTION
1	47339	1	MAIN FRAME
2	25284	4	NUT, Hex Nylon Lock, 3/4-16
3	46093	4	SPACER, .75 x 1.50 x 1.00
4	22039	4	BALL JOINT, 3/4-16
5	25265-28	4	CAPSCREW, Hex Head, 3/4-16 x 3-1/2
6	25093	4	NUT, Hex, Jam, 3/4-16
7	47350	1	SUSPENSION ARM - LH
8	45769	2	CASTER TIRE MOUNT
9	22853	1	SPANNER WRENCH
10	22842	2	SHOCK & SPRING ASSEMBLY
11	44933	2	SPACER, .39 x .75 x .38
12	25096	4	NUT, Hex Nylon Lock, 3/8-16
13	25156	4	WASHER, 3/8
14	25013-20	2	CAPSCREW, Hex Head, 3/8-16 x 2-1/2
15	25013-18	2	CAPSCREW, Hex Head, 3/8-16 x 2-1/4
16	21072	2	GREASE SEAL
17	20884	4	BEARING, Tapered Roller
18	47351	1	SUSPENSION ARM - RH
19	25160	2	WASHER, 3/4
20	25104	2	NUT, Hex, Slotted, 3/4-16
21	21073	2	CAP
22	25203-10	2	PIN, Cotter

Footnotes:

The above parts group applies to the following Model Nos.:

IS5000Z/C31D

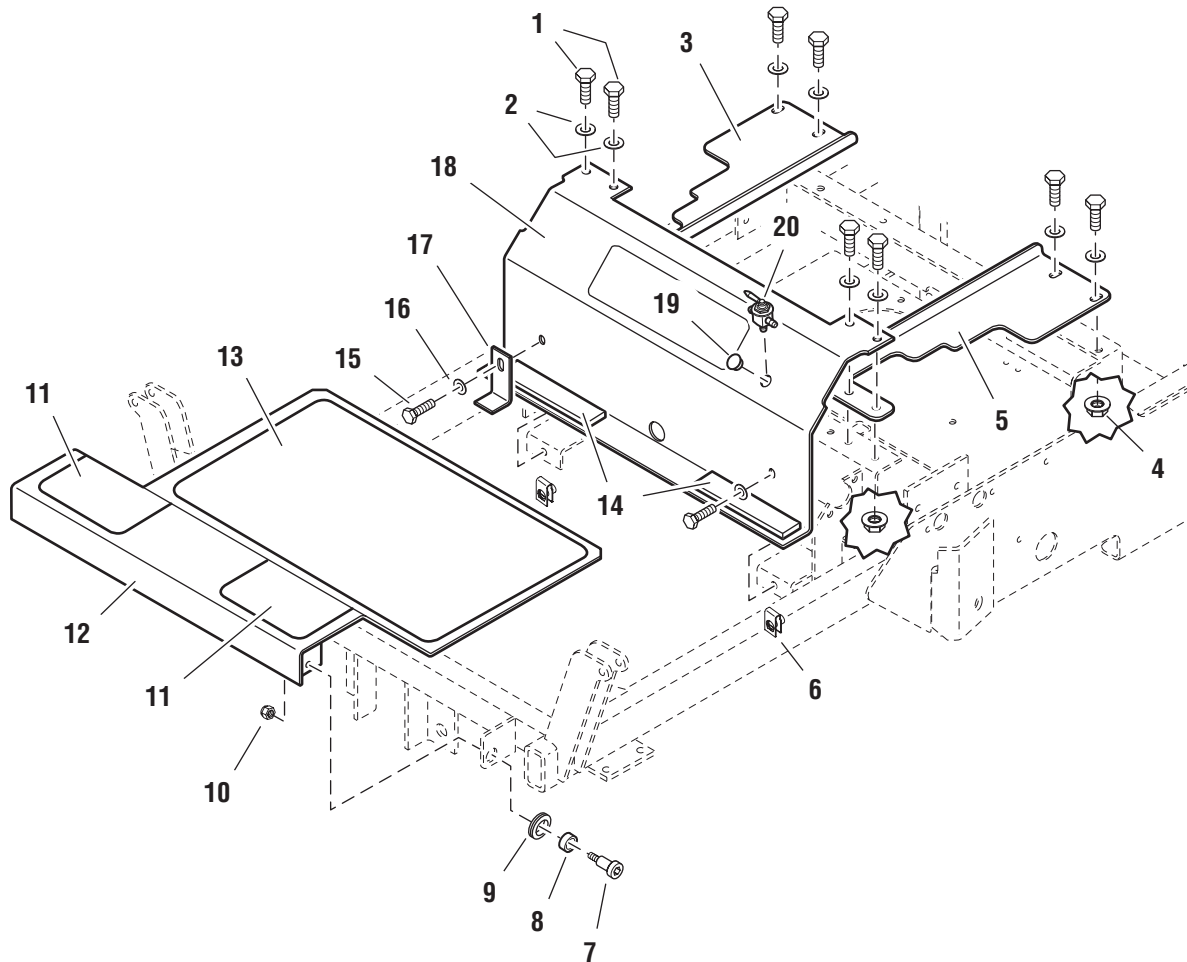
IS5000Z/D34

IS5000Z/C31DCE

IS5000ZC31D61CE

Floor Pan, Brake Cover & Control Shields Group

NOTE: Unless noted otherwise,
use the standard hardware torque
specification chart.



The above parts group applies to the following Model Nos.:

IS5000Z/C31D

IS5000Z/D34

IS5000Z/C31DCE

IS5000ZC31D61CE

Floor Pan, Brake Cover & Control Shields Group

REF NO.	PART NO.	QTY.	DESCRIPTION
1	25013-8	8	CAPSCREW, Hex Head, 3/8-16 x 1
2	25156	8	WASHER, 3/8
3	47548	1	SHIELD -RH
4	25128	8	NUT, Hex Serrated Flange, 3/8-16
5	47549	1	SHIELD - LH
6	22308	2	BODY CLIP, 5/16-18
7	25340	2	SHOULDER BOLT, 3/8 x 5/8
8	41600	2	SLEEVE
9	22816	2	GROMMET
10	25057	2	NUT, Hex Nylon Lock, 5/16-18
11	45915	2	SAFETY WALK
12	45333	1	FLOOR PAN
13	44873	1	SAFETY WALK
14	21877	2	RUBBER PAD
15	25011-6	2	CAPSCREW, Hex Head, 5/16-18 x 3/4
16	25155	2	WASHER, 5/16
17	47285	1	HOLD DOWN (Export models only)
18	47636	1	BRAKE COVER PANEL ASSEMBLY
19	21003	1	HOLE PLUG (diesel model)
20	22976	1	FUEL SHUT OFF VALVE (gas model)

Footnotes:

The above parts group applies to the following Model Nos.:

IS5000Z/C31D

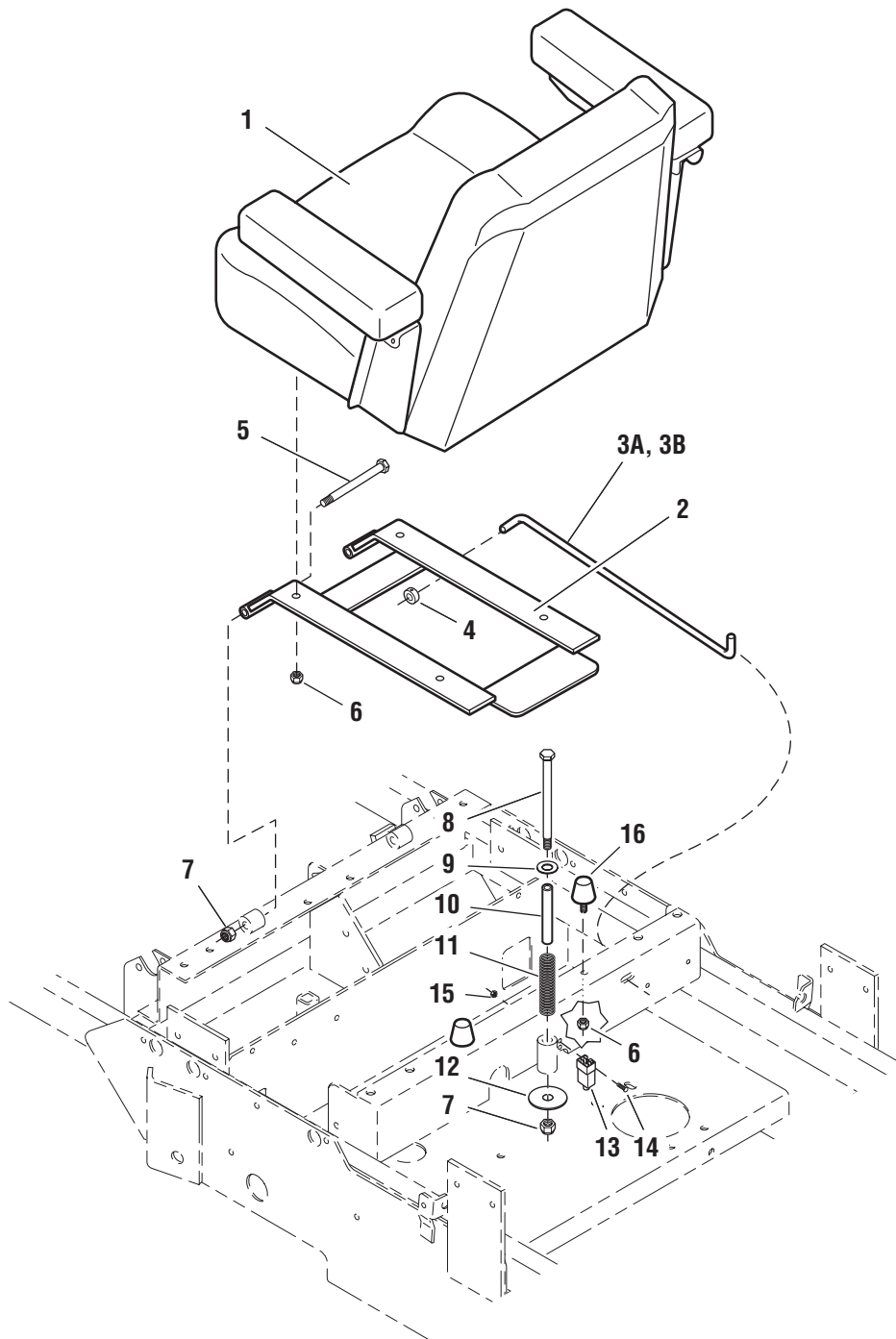
IS5000Z/D34

IS5000Z/C31DCE

IS5000ZC31D61CE

Seat & Mount Group

NOTE: Unless noted otherwise,
use the standard hardware torque
specification chart.



The above parts group applies to the following Model Nos.:

IS5000Z/C31D

IS5000Z/D34

IS5000Z/C31DCE

IS5000ZC31D61CE

Seat & Mount Group

REF NO.	PART NO.	QTY.	DESCRIPTION
1	22955	1	SEAT, Deluxe, Gray (Complete)
*	22955-1	1	CUSHION, Bottom Cover
*	22955-2	1	CUSHION, Back Cover
*	22955-3	2	ARM REST SET
*	22955-4	2	ARM REST PADS
*	20930-3	1	SEAT ADJUSTER RAILS (Set of 2)
2	47744	1	SEAT MOUNT
3A	46470	1	SEAT STOP ROD
3B	48571	1	SEAT STOP ROD (diesel models, S/N: 411 & up)
4	20047	1	COLLAR, Set, 5/16
5	25013-32	2	CAPSCREW, Hex Head, 3/8-16 x 4
6	25057	6	NUT, Hex Nylon Lock, 5/16-18
7	25096	3	NUT, Hex Nylon Lock, 3/8-16
8	25013-48	1	CAPSCREW, Hex Head, 3/8-16 x 6
9	25156	1	WASHER, 3/8
10	46586	1	SPACER, .38 x .50 x 5.06
11	22798	1	SPRING, Compression
12	25326	1	WASHER, 3/8 x 2
13	22094	1	SWITCH, NC/NC
14	25270	2	SCREW, #10-24 x 1
15	25029	2	NUT, Hex, #10-24
16	22612	2	RUBBER BUMPER

Footnotes:

The above parts group applies to the following Model Nos.:

IS5000Z/C31D

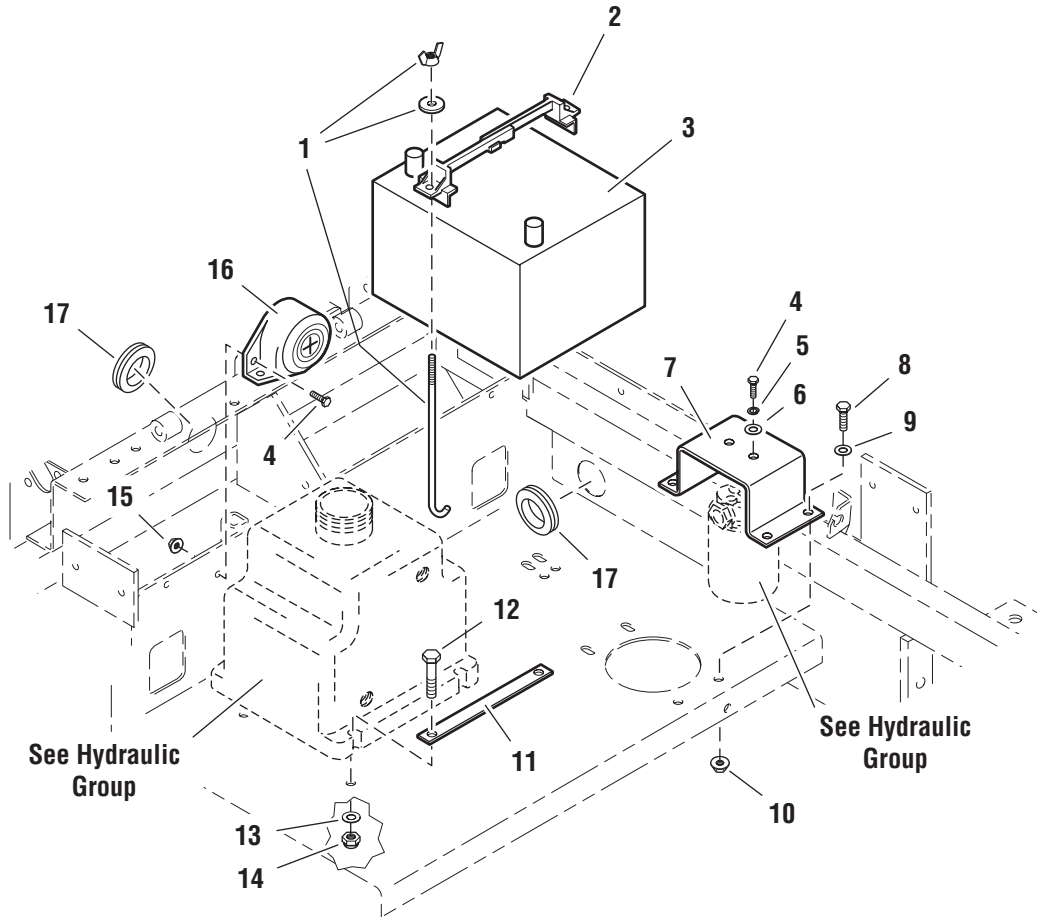
IS5000Z/D34

IS5000Z/C31DCE

IS5000ZC31D61CE

Seat Compartment Group

NOTE: Unless noted otherwise,
use the standard hardware torque
specification chart.



The above parts group applies to the following Model Nos.:

IS5000Z/C31D

IS5000Z/D34

IS5000Z/C31DCE

IS5000ZC31D61CE

Seat Compartment Group

REF NO.	PART NO.	QTY.	DESCRIPTION
1	22596	2	BATTERY HOLD DOWN BOLT & NUT
2	22595	1	BATTERY HOLD DOWN
3	*	1	BATTERY, 12V (standard BCI58 battery)
4	25010-6	4	CAPSCREW, Hex Head, 1/4-20 x 3/4
5	25169	2	LOCKWASHER, 1/4
6	25154	2	WASHER, 1/4
7	47635	1	OIL FILTER MOUNT
8	25011-6	4	CAPSCREW, Hex Head, 5/16-18 x 3/4
9	25155	4	WASHER, 5/16
10	25127	4	NUT, Hex Serrated Flange, 5/16-18
11	46061	2	HOLD DOWN PLATE
12	25013-18	4	CAPSCREW, Hex Head, 3/8-16 x 2-1/4
13	25156	4	WASHER, 3/8
14	25096	4	NUT, Hex Nylon Lock, 3/8-16
15	25126	2	NUT, Hex Serrated Flange, 1/4-20
16	22594	1	ALARM
17	21397	3	GROMMET

Footnotes:

The above parts group applies to the following Model Nos.:

IS5000Z/C31D

IS5000Z/D34

IS5000Z/C31DCE

IS5000ZC31D61CE

Fuel Tank & Mount Group

REF NO.	PART NO.	QTY.	DESCRIPTION
1	47590	1	FUEL TANK - LH
2	47591	1	FUEL TANK - RH
3A	22915	2	FUEL TANK CAP (yellow center, non-vented) (diesel model only)
3B	22158	2	FUEL TANK CAP (gas model only)
4	25139	8	NUT, Hex Serrated Flange, 5/16-18
5	25155	20	WASHER, 5/16
6	25011-8	8	CAPSCREW, Hex Head, 5/16-18 x 1
7	48527	2	FUEL TANK MOUNT
8	25011-6	12	CAPSCREW, Hex Head, 5/16-18 x 3/4
9	25170	12	LOCKWASHER, 5/16
10	47993	2	GUARD, Tank Valve

Footnotes:

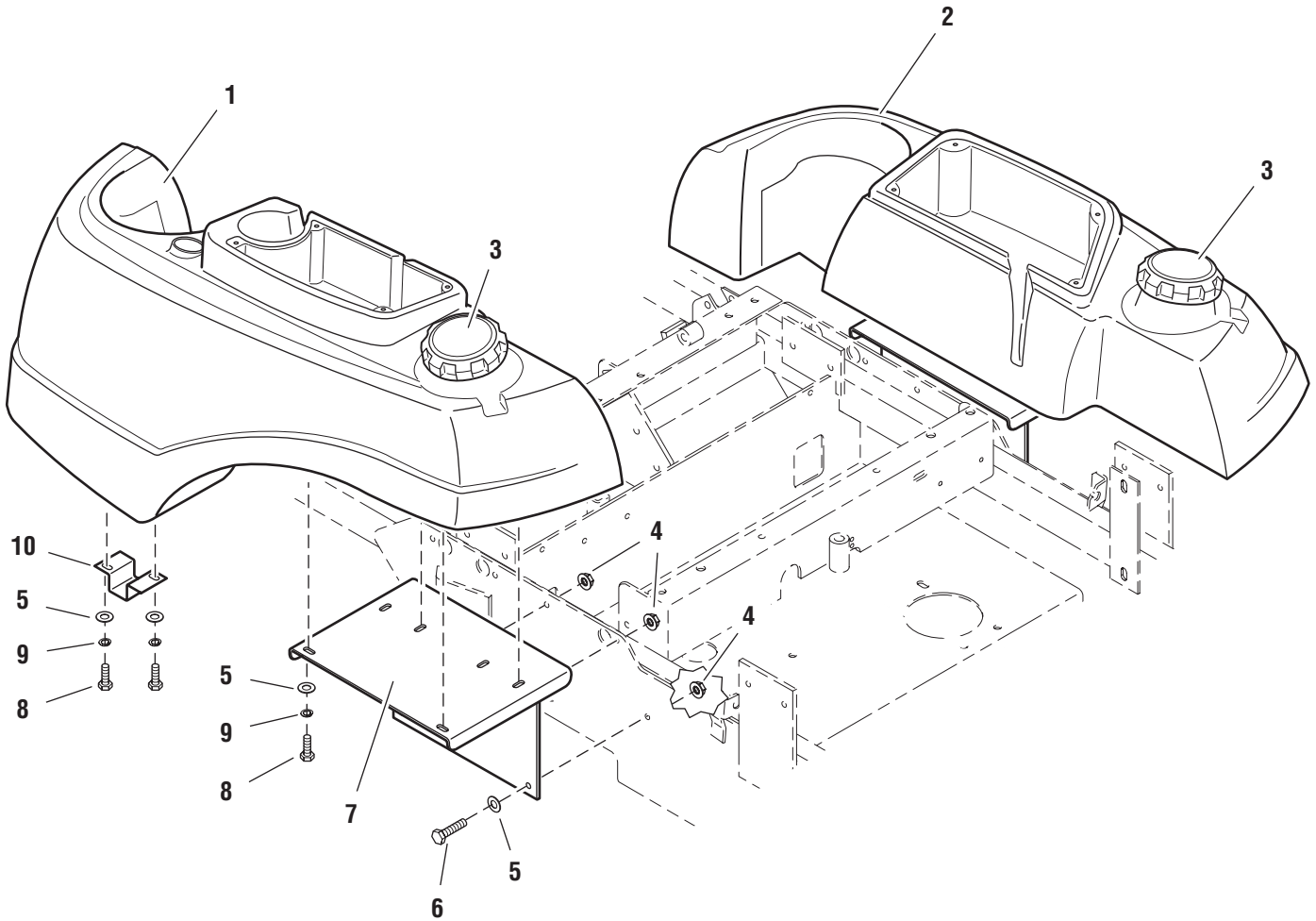
For fuel tank replacement parts, see Fuel Supply Hose & Tank Replacement Parts Groups

The above parts group applies to the following Model Nos.:

IS5000Z/C31D IS5000Z/D34 Diesel models - S/N: 880 & below
IS5000Z/C31DCE
IS5000ZC31D61CE

Fuel Tank & Mount Group

NOTE: Unless noted otherwise,
use the standard hardware torque
specification chart.



The above parts group applies to the following Model Nos.:

IS5000Z/C31D Diesel models - S/N: 881 & above
IS5000Z/C31DCE
IS5000ZC31D61CE

Fuel Tank & Mount Group

REF NO.	PART NO.	QTY.	DESCRIPTION
1	49120	1	FUEL TANK - LH
2	49121	1	FUEL TANK - RH
3	22915	2	FUEL TANK CAP (yellow center, non-vented)
4	25139	8	NUT, Hex Serrated Flange, 5/16-18
5	25155	20	WASHER, 5/16
6	25011-8	8	CAPSCREW, Hex Head, 5/16-18 x 1
7	48527	2	FUEL TANK MOUNT
8	25011-6	12	CAPSCREW, Hex Head, 5/16-18 x 3/4
9	25170	12	LOCKWASHER, 5/16
10	47993	2	GUARD, Tank Valve

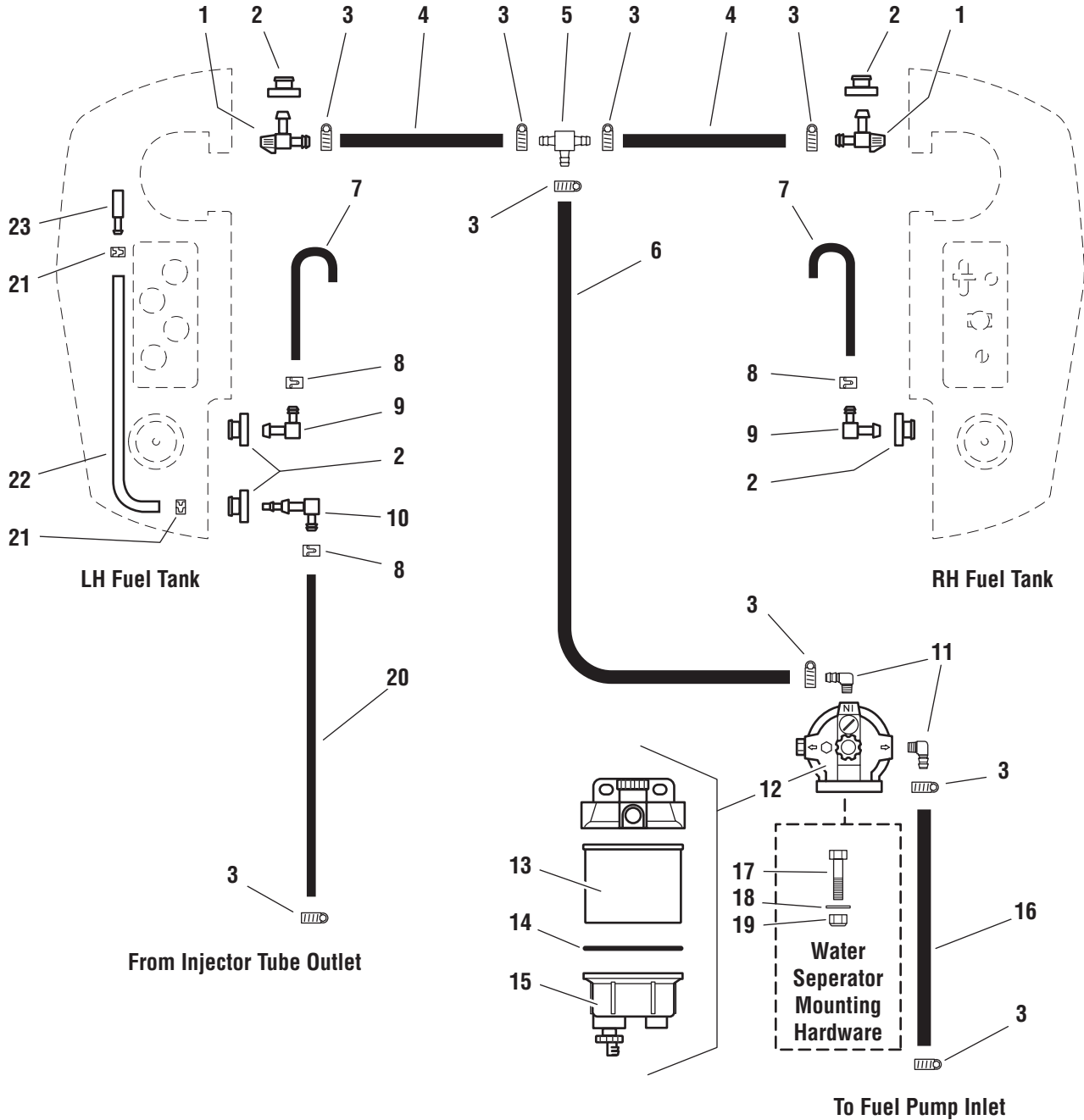
Footnotes:

The above parts group applies to the following Model Nos.:

IS5000Z/C31D Diesel models - S/N: 881 & above
IS5000Z/C31DCE
IS5000ZC31D61CE

Fuel Supply Hose & Tank Replacement Parts Group - Diesel

NOTE: Unless noted otherwise, use the standard hardware torque specification chart.



The above parts group applies to the following Model Nos.:

- IS5000Z/C31D
- IS5000Z/C31DCE
- IS5000ZC31D61CE

Fuel Supply Hose & Tank Replacement Parts Group - Diesel

REF NO.	PART NO.	QTY.	DESCRIPTION
1	23060	2	VALVE, Fuel Shut-Off
2	1726400	5	GROMMET
3	22922	9	HOSE CLAMP, #4
4	50919-36	2	HOSE, 36"
5	22920	1	FITTING, TEE, 3/8" Hose
6	50919-34	1	HOSE, 34"
7	50831-20	2	HOSE, 20"
8	20835	3	HOSE CLAMP
9	1674231	2	ELBOW FITTING
10	23061	1	ELBOW FITTING
11	22708	2	FITTING, 1/4" NPT, 90 Deg.
12	22926	1	FILTER/WATER SEPARATOR ASSEMBLY, Complete (includes Ref No. 13-15)
13	22926-1	1	FUEL FILTER
14	22926-2	1	O-RING SEAL
15	22926-3	1	BOWL
16	50831-48	1	HOSE, 48"
17	25013-12	2	CAPSCREW, Hex Head, 3/8-16 x 1-1/2
18	25156	2	WASHER, 3/8
19	25096	2	NUT, Hex Nylon Lock, 3/8-16
20	50919-63	1	HOSE, 63"
21	23069	2	HOSE CLAMP
22	50925-26	1	HOSE, 26"
23	23068	1	CONNECTOR FITTING

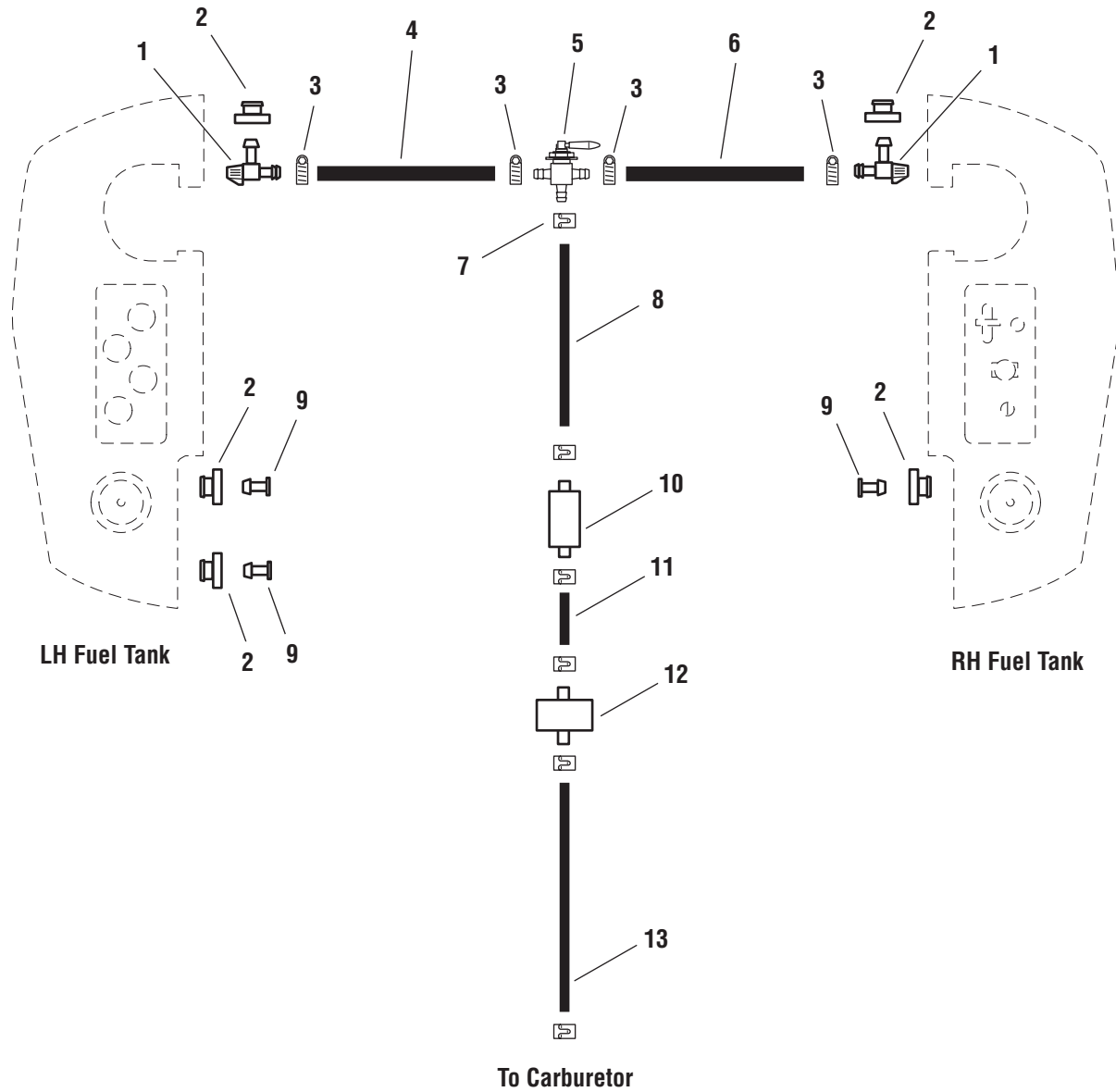
Footnotes:

The above parts group applies to the following Model Nos.:

IS5000Z/C31D
IS5000Z/C31DCE
IS5000ZC31D61CE

Fuel Supply Hose & Tank Replacement Parts Group - Gas

NOTE: Unless noted otherwise,
use the standard hardware torque
specification chart.



The above parts group applies to the following Model Nos.:
IS5000Z/D34

Fuel Supply Hose & Tank Replacement Parts Group - Gas

REF NO.	PART NO.	QTY.	DESCRIPTION
1	23060	2	VALVE, Fuel Shut-Off
2	1726400	5	GROMMET
3	22922	4	CLAMP, #4 Hose
4	50919-34	2	HOSE, 35"
5	22976	1	FUEL SHUT OFF VALVE
6	50919-46	1	HOSE, 46"
7	20835	6	CLAMP, Hose
8	50831-30	1	HOSE, 30"
9	23059	2	PLUG
10	*	1	FUEL FILTER
11	50831-12	1	HOSE, 12"
12	*	1	FUEL PUMP
13	50831-36	1	HOSE, 36"

Footnotes:

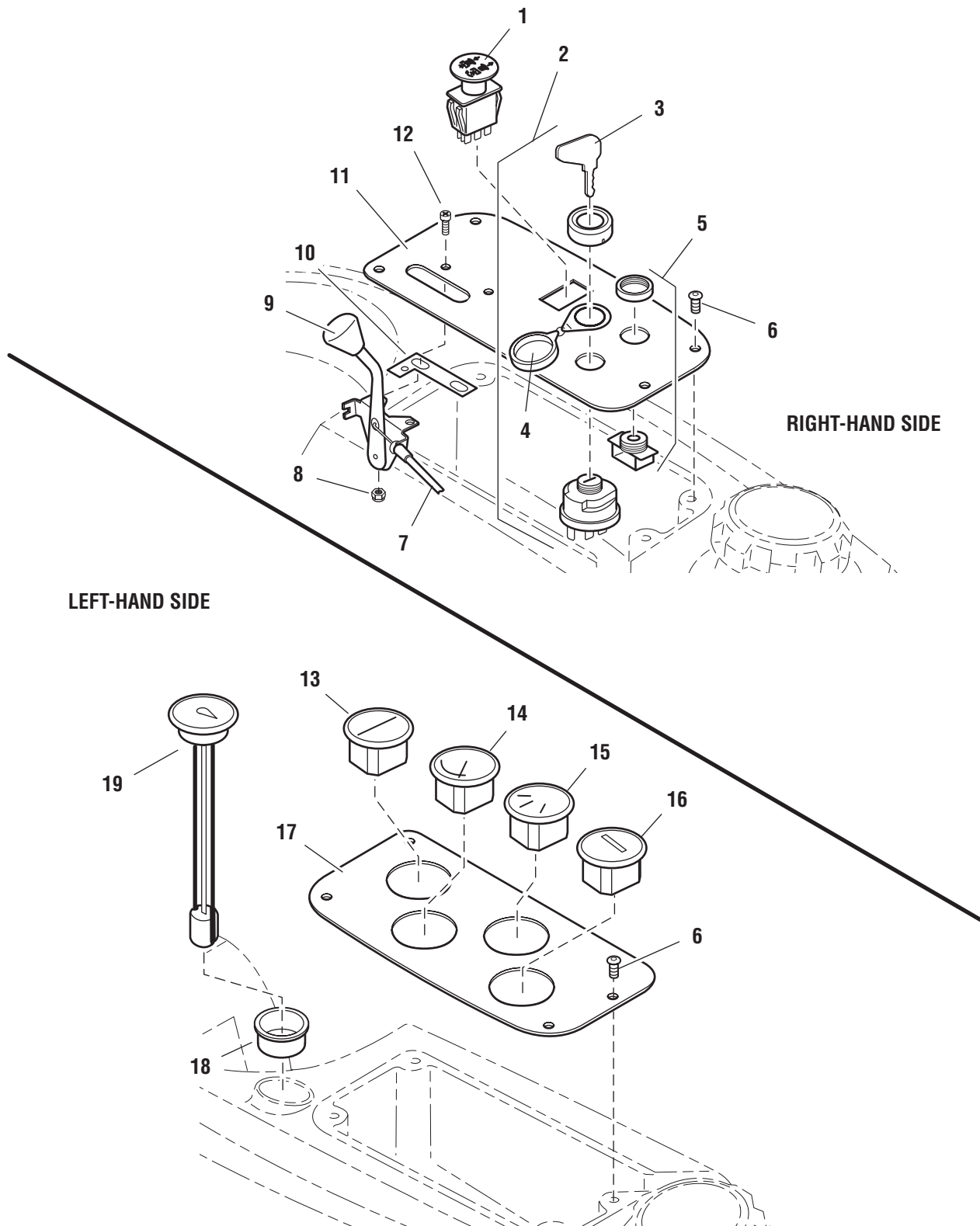
* See your local Briggs & Stratton Dealer for service parts

The above parts group applies to the following Model Nos.:

IS5000Z/D34

Instrument & Control Panel Group - Diesel

NOTE: Unless noted otherwise,
use the standard hardware torque
specification chart.



The above parts group applies to the following Model Nos.:

IS5000Z/C31D

All models - S/N: 880 & below

IS5000Z/C31DCE

IS5000ZC31D61CE

Instrument & Control Panel Group - Diesel

REF NO.	PART NO.	QTY.	DESCRIPTION
1	22180	1	SWITCH, PTO
2	22883-1	1	SWITCH, Ignition, Complete (includes Ref 3 & 4)
3	22883-2	1	KEY, Ignition (Set of 2)
4	22883-3	1	COVER PLATE
5	22883-4	1	INDICATOR, Glow Plug
6	25299-4	8	SCREW, Allan Head, 1/4-20 x 1/2
7	46392	1	CABLE, Throttle Control
8	25271	2	NUT, Hex Nylon Lock, #10-24
9	46360	1	HANDLE, Throttle Control, Complete (with knob)
*	46360-1	1	KNOB
10	48475	1	THROTTLE STOP PLATE (Export models only)
11	47394	1	CONTROL PANEL-RH
12	25179-6	2	SCREW, Phillips, #10-24 x 3/4
13	46473	1	GAUGE, Warning, Oil/Temp
14	22483	1	GAUGE, Water Temperature
15	22387	1	GAUGE, Voltmeter
16	20060	1	HOURMETER
17	46256	1	GAUGE PANEL
18	22917-1	1	GROMMET
19	22917	1	GAUGE, Fuel Level

Footnotes:

The above parts group applies to the following Model Nos.:

IS5000Z/C31D All models - S/N: 880 & below
IS5000Z/C31DCE
IS5000ZC31D61CE

Instrument & Control Panel Group - Diesel

REF NO.	PART NO.	QTY.	DESCRIPTION
1	2849177	1	CONTROL PANEL - RH
2	25179-6	2	SCREW, Phillips, #10-24 x 3/4
3	22883-4	1	INDICATOR, Glow Plug
4	22180	1	SWITCH, PTO
5	22883-1	1	SWITCH, Ignition, Complete (includes Ref 3 & 4)
6	22883-2	1	KEY, Ignition (Set of 2)
7	22883-3	1	COVER PLATE
8	25299-4	8	SCREW, Allan Head, 1/4-20 x 1/2
9	48475	1	THROTTLE STOP PLATE (Export models only)
10	46392	1	CABLE, Throttle Control
11	25271	2	NUT, Hex Nylon Lock, #10-24
12	46360	1	HANDLE, Throttle Control, Complete (with knob)
*	46360-1	1	KNOB
13	22917	1	GAUGE, Fuel Level
14	22917-1	1	GROMMET
15	2849178	1	CONTROL PANEL - LH
16	23244	1	HOURMETER, Digital
17	22387	1	GAUGE, Voltmeter
18	22483	1	GAUGE, Water Temperature
19	46473	1	GAUGE, Warning, Oil/Temp

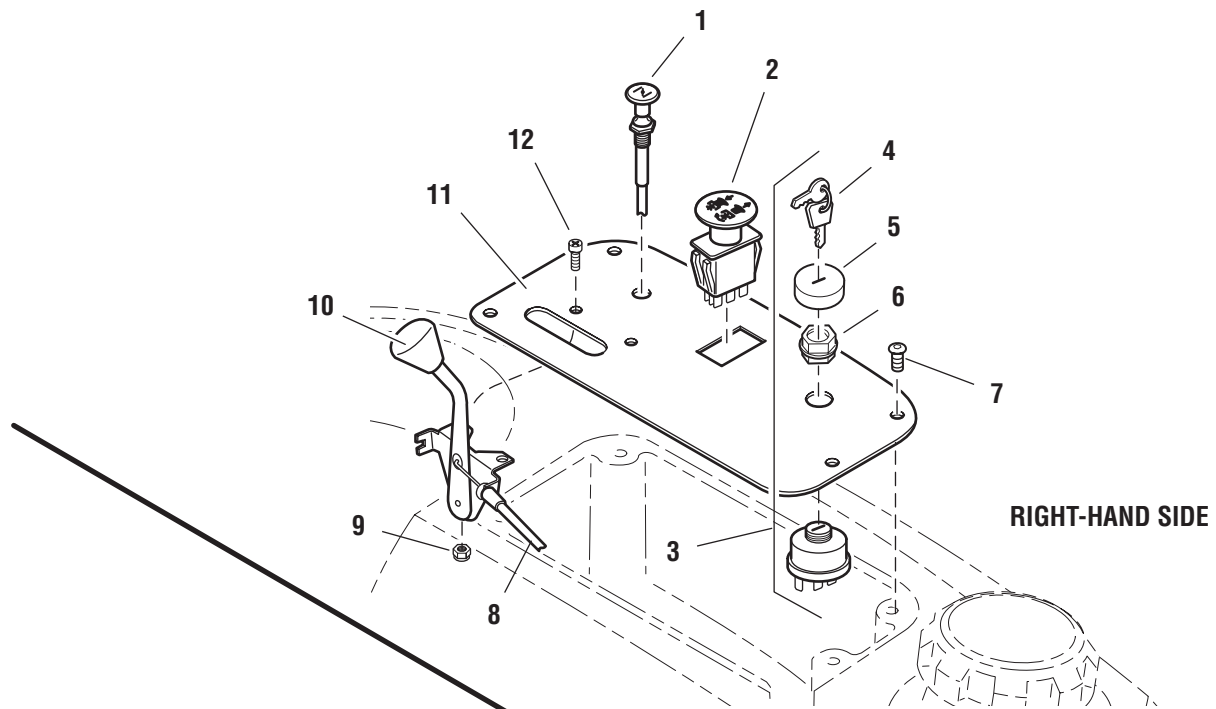
Footnotes:

The above parts group applies to the following Model Nos.:

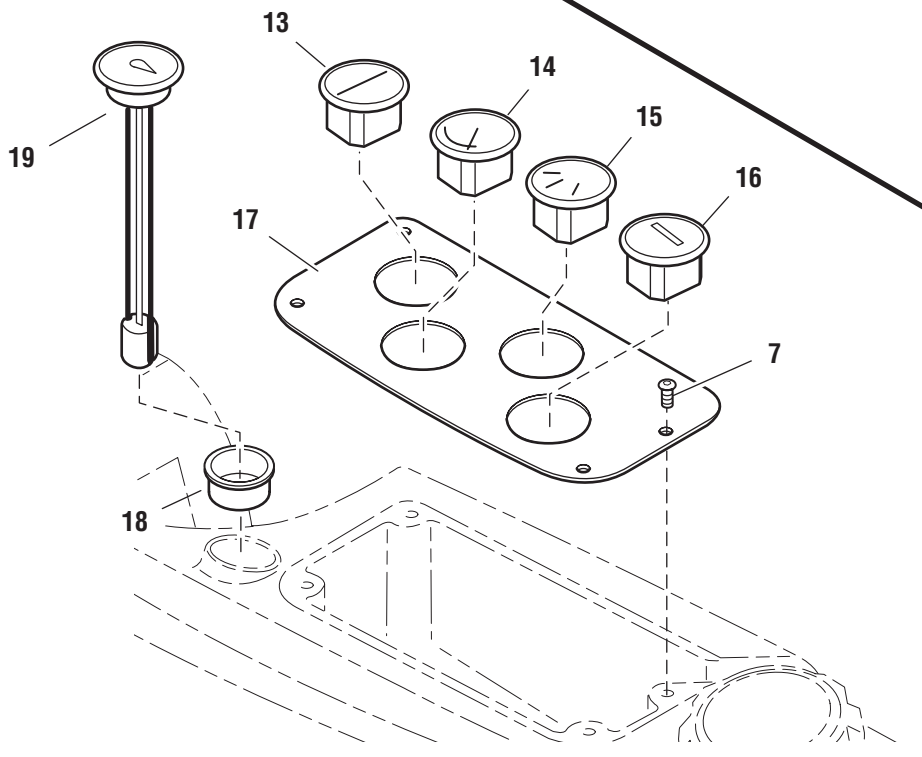
IS5000Z/C31D All models - S/N: 881 & above
IS5000Z/C31DCE
IS5000ZC31D61CE

Instrument & Control Panel Group - Gas

NOTE: Unless noted otherwise,
use the standard hardware torque
specification chart.



LEFT-HAND SIDE



The above parts group applies to the following Model Nos.:
IS5000Z/D34

Instrument & Control Panel Group - Gas

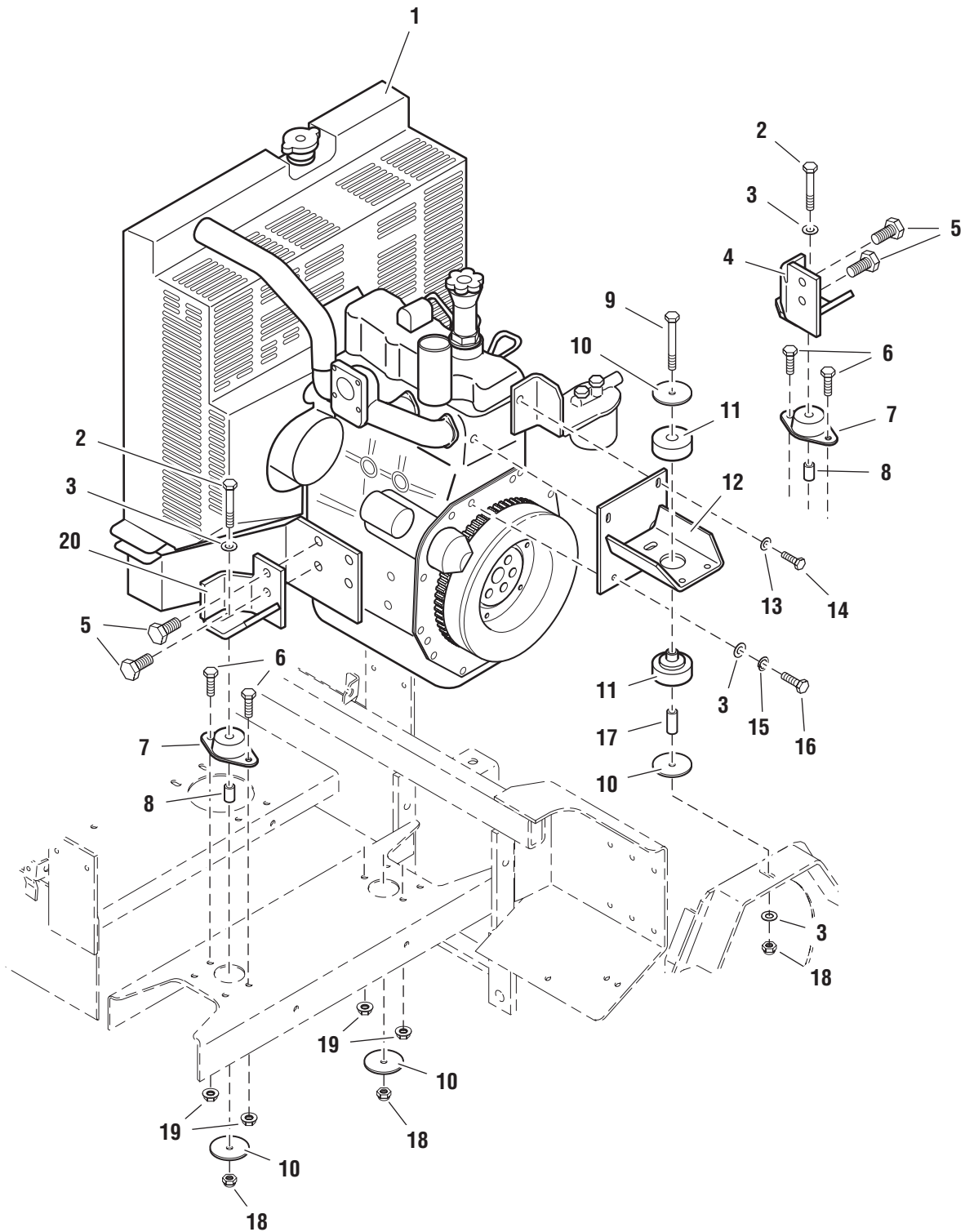
REF NO.	PART NO.	QTY.	DESCRIPTION
1	47841	1	CABLE, Choke Control
2	22180	1	SWITCH, PTO
3	20927	1	SWITCH, Ignition, Complete (includes Ref 5-7)
4	22789	1	KEY, Ignition, Molded (Set of 2)
5	22790	1	COVER
6	22791	1	PLASTIC NUT
7	25299-4	8	SCREW, Allan Head, 1/4-20 x 1/2
8	47842	1	CABLE, Throttle Control
9	25271	2	NUT, Hex Nylon Lock, #10-24
10	46360	1	HANDLE, Throttle Control, Complete (with knob)
*	46360-1	1	KNOB
11	46600	1	CONTROL PANEL-RH
12	25179-6	2	SCREW, Phillips, #10-24 x 3/4
13	46473	1	GAUGE, Warning, Oil/Temp
14	22483	1	GAUGE, Water Temperature
15	22387	1	GAUGE, Voltmeter
16	20060	1	HOURMETER
17	46256	1	GAUGE PANEL
18	22917-1	1	GROMMET
19	22917	1	GAUGE, Fuel Level

Footnotes:

The above parts group applies to the following Model Nos.:
IS5000Z/D34

Engine & Mount Group - Diesel

NOTE: Unless noted otherwise,
use the standard hardware torque
specification chart.



The above parts group applies to the following Model Nos.:

IS5000Z/C31D
IS5000Z/C31DCE
IS5000ZC31D61CE

Engine & Mount Group - Diesel

REF NO.	PART NO.	QTY.	DESCRIPTION
1	22883	1	ENGINE, Caterpillar 31.5 HP Diesel
2	25013-20	2	CAPSCREW, Hex Head, 3/8-16 x 2-1/2
3	25156	5	WASHER, 3/8
4	47364	1	MOTOR MOUNT - RH
5	25357	4	CAPSCREW, Hex Head, M14 x 30MM
6	25013-8	4	CAPSCREW, Hex Head, 3/8-16 x 1
7	22896	2	ISO MOUNT, Front
8	44959	2	SPACER, .38 x .50 x 1.00
9	25013-24	1	CAPSCREW, Hex Head, 3/8-16 x 3
10	47381	4	WASHER, 3/8 x 2-1/2
11	22897	1	ISO MOUNT, Rear (2 piece)
12	47360	1	MOTOR MOUNT - Upper
13	25155	2	WASHER, 5/16
14	25249	2	CAPSCREW, Hex Head, M8 x 20MM
15	25171	2	LOCKWASHER, 3/8
16	25333	2	CAPSCREW, Hex Head, M10 x 30MM
17	47380	1	SPACER, .38 x .62 x 1.62
18	25096	3	NUT, Hex Nylon Lock, 3/8-16
19	25128	4	NUT, Hex Serrated Flange, 3/8-16
20	47365	1	MOTOR MOUNT - LH

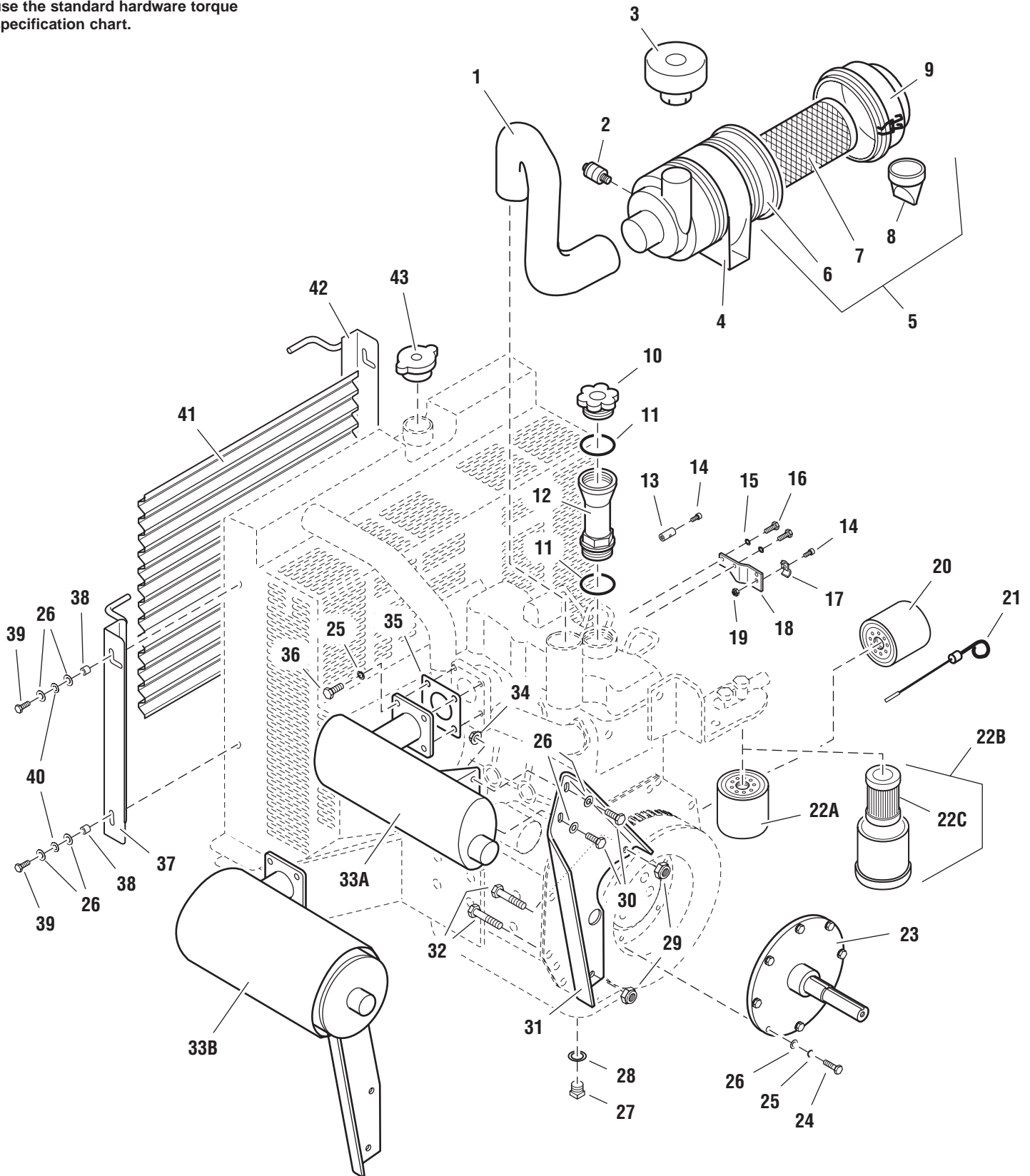
Footnotes:

The above parts group applies to the following Model Nos.:

IS5000Z/C31D
IS5000Z/C31DCE
IS5000ZC31D61CE

Engine Accessories & Service Parts Group - Diesel

NOTE: Unless noted otherwise,
use the standard hardware torque
specification chart.



The above parts group applies to the following Model Nos.:
IS5000Z/C31D (S/N: 410 & below)

Engine Accessories & Service Parts Group - Diesel

REF NO.	PART NO.	QTY.	DESCRIPTION
1	22883-33	1	AIR INLET HOSE
*	22883-54	2	HOSE CLAMP
2	22883-45	1	AIR CLEANER INDICATOR
3	22591	1	PRE-CLEANER
4	22883-44	1	AIR CLEANER BRACKET
5	22883-29	1	AIR CLEANER ASSEMBLY, Complete (includes Ref No. 6 - 9)
6	22883-46	1	AIR CLEANER HOUSING ASSEMBLY
7	22883-31	1	AIR CLEANER ELEMENT
8	22883-32	1	AIR CLEANER DUST VALVE
9	22883-30	1	AIR CLEANER COVER
10	22883-7	1	OIL FILL CAP
11	22883-8	2	OIL FILL O-RING SEAL
12	22883-6	1	OIL FILL EXTENSION
13	47650	1	BARREL CLAMP
14	25179-6	2	SCREW, #10-24 x 3/4
15	25169	2	LOCKWASHER, 1/4
16	25248	2	CAPSCREW, Hex Head, M6 x 10MM
17	22901	1	CLAMP
18	47392	1	THROTTLE BRACKET
19	25271	1	NUT, Hex Nylon Lock, #10-24
20	22883-11	1	OIL FILTER
21	22883-20	1	DIPSTICK
22A	22883-19A	1	FUEL FILTER (200 hr)
22B	22883-19B	1	FUEL FILTER ASSEMBLY, Complete (includes Ref No. 22C)
22C	22883-19C	1	FILTER ELEMENT
23	47306	1	STUB SHAFT & FLYWHEEL PLATE ASSEMBLY
24	25011-10	8	CAPSCREW, Hex Head, 5/16-18 x 1-1/4
25	25170	12	LOCKWASHER, 5/16
26	25155	18	WASHER, 5/16
27	22883-21	1	OIL PAN PLUG
28	22883-22	1	WASHER, Oil Pan Plug
29	25096	2	NUT, Hex Nylon Lock, 3/8-16
30	25011-8	2	CAPSCREW, Hex Head, 5/16-18 x 1
31	47625	1	MUFFLER SUPPORT (only used with silver muffler)
32	25013-14	2	CAPSCREW, Hex Head, 3/8-16 x 1-3/4
33A	22900	1	MUFFLER (Silver)
33B	22900	1	MUFFLER (Black)
34	25127	2	NUT, Hex Serrated Flange, 5/16-18
35	22883-36	1	GASKET, Exhaust Manifold
36	25237	4	CAPSCREW, Hex Head, M8 x 25MM
37	47762	1	SCREEN KEEPER-LH
38	47599	4	BUSHING
39	25375	4	CAPSCREW, Hex Flange Hd, M5 x 12MM
40	25360	4	WASHER, Wave, M8
41	48728	1	SCREEN
42	47763	1	SCREEN KEEPER-RH
43	22883-13	1	PRESSURE CAP
44	22883-9	1	FUEL SOLENOID
45	22883-10	1	WASHER, Fuel Solenoid
46	22883-12	1	WATER PUMP
47	22883-14	1	WATER HOSE-UPPER
48	22883-15	1	WATER HOSE-LOWER
49	22883-16	1	GASKET, Water Pump
50	22883-17	1	THERMOSTAT

Footnotes:

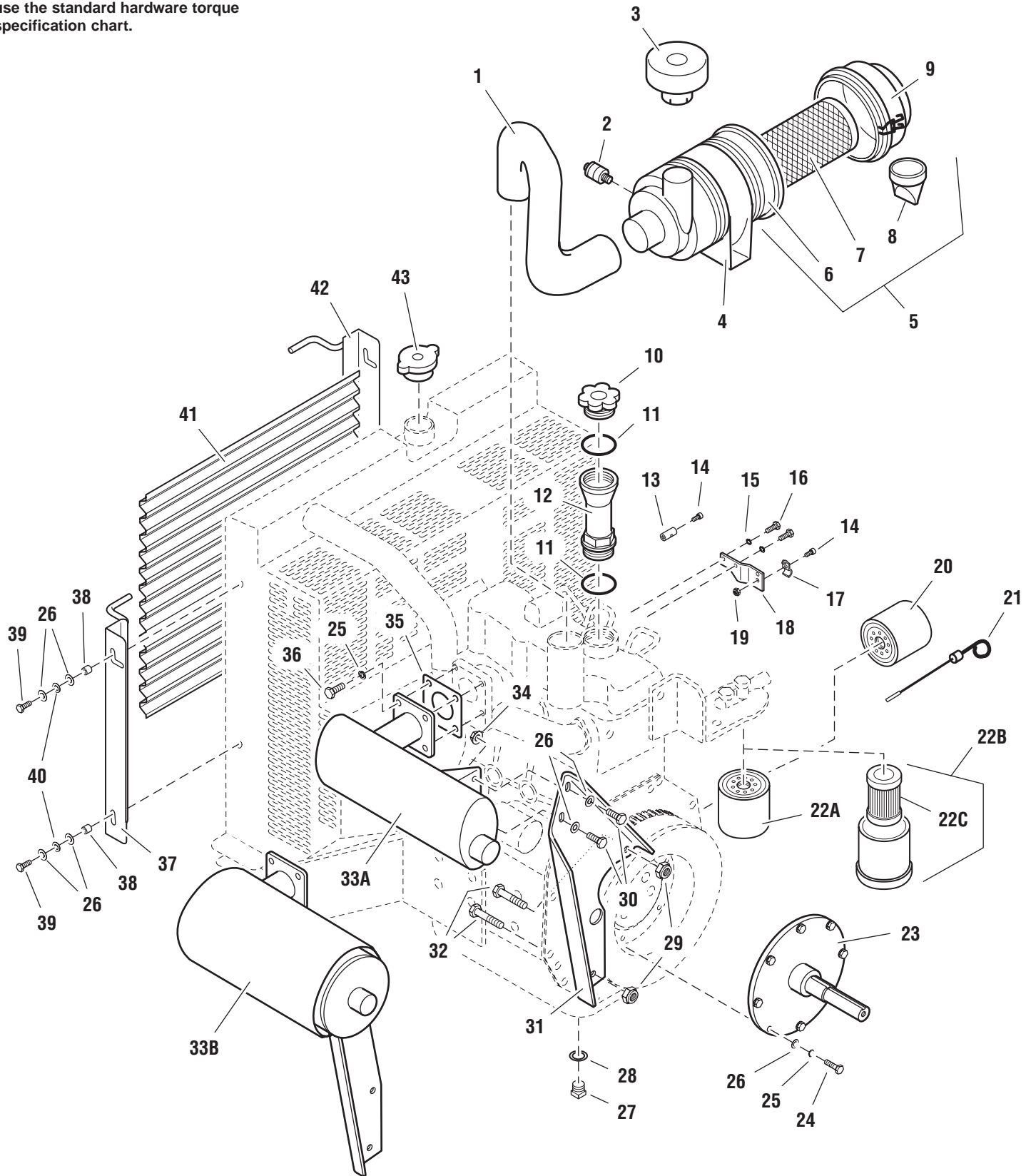
Ref No. 44-70 are not illustrated

The above parts group applies to the following Model Nos.:

IS5000Z/C31D (S/N: 410 & below)

Engine Accessories & Service Parts Group - Diesel

NOTE: Unless noted otherwise,
use the standard hardware torque
specification chart.



The above parts group applies to the following Model Nos.:
IS5000Z/C31D (S/N: 410 & below)

Engine Accessories & Service Parts Group - Diesel

REF NO.	PART NO.	QTY.	DESCRIPTION
51	22883-18	1	GASKET, Thermostat
52	22883-23	1	STARTER MOTOR
53	22883-24	1	ALTERNATOR
54	22883-25	1	BELT
55	22883-26	1	FUEL PUMP
56	22883-27	1	GASKET, Fuel Pump
57	22883-28	3	GLOW PLUG
58	22883-38	1	RADIATOR
59	22883-39	1	SWITCH, Oil Pressure
60	22883-40	1	SWITCH, Water Temperature
61	22883-41	1	STARTER SOLENOID
62	22883-42	1	SEAL, Rear Main
63	22883-43	1	SEAL, Front Main
64	22883-47	3	INJECTOR ASSEMBLY
65	22883-48	3	WASHER, 4-HOLE
66	22883-49	3	WASHER, SEALING
67	22883-50	3	WASHER, CRUSH
68	22883-51	1	ISO MOUNT BRACKET
69	22883-52	1	BOTTOM RADIATOR BRACKET
70	22883-53	1	TOP RADIATOR BRACKET

Footnotes:

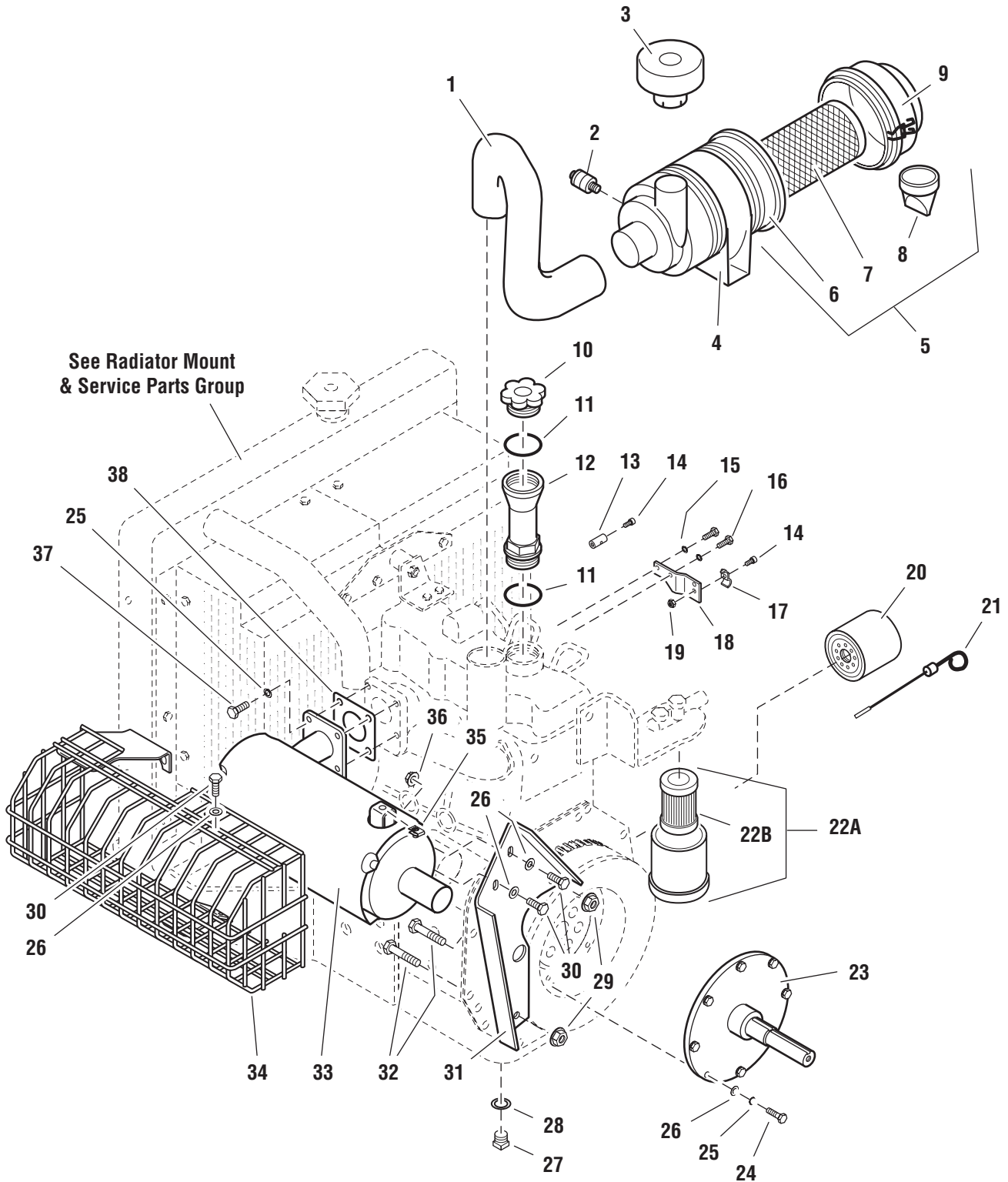
Ref No. 44-70 are not illustrated

The above parts group applies to the following Model Nos.:

IS5000Z/C31D (S/N: 410 & below)

Engine Accessories & Service Parts Group - Diesel

NOTE: Unless noted otherwise,
use the standard hardware torque
specification chart.



The above parts group applies to the following Model Nos.:

- IS5000Z/C31D (S/N: 411 & above)
- IS5000Z/C31DCE
- IS5000ZC31D61CE

Engine Accessories & Service Parts Group - Diesel

REF NO.	PART NO.	QTY.	DESCRIPTION
1	22883-33	1	AIR INLET HOSE
*	22883-54	2	HOSE CLAMP
2	22883-45	1	AIR CLEANER INDICATOR
3	22591	1	PRE-CLEANER
4	22883-44	1	AIR CLEANER BRACKET
5	22883-29	1	AIR CLEANER ASSEMBLY, Complete (includes Ref No. 6 - 9)
6	22883-46	1	AIR CLEANER HOUSING ASSEMBLY
7	22883-31	1	AIR CLEANER ELEMENT
8	22883-32	1	AIR CLEANER DUST VALVE
9	22883-30	1	AIR CLEANER COVER
10	22883-7	1	OIL FILL CAP
11	22883-8	2	OIL FILL O-RING SEAL
12	22883-6	1	OIL FILL EXTENSION
13	47650	1	BARREL CLAMP
14	25179-6	2	SCREW, #10-24 x 3/4
15	25169	2	LOCKWASHER, 1/4
16	25248	2	CAPSCREW, Hex Head, M6 x 10MM
17	22901	1	CLAMP
18	47392	1	THROTTLE BRACKET
19	25271	1	NUT, Hex Nylon Lock, #10-24
20	22883-11	1	OIL FILTER
21	22883-20	1	DIPSTICK
22A	22883-19B	1	FUEL FILTER ASSEMBLY, Complete (includes Ref No. 22B)
22B	22883-19C	1	FILTER ELEMENT
23	47306	1	STUB SHAFT & FLYWHEEL PLATE ASSEMBLY
24	25011-10	8	CAPSCREW, Hex Head, 5/16-18 x 1-1/4
25	25170	12	LOCKWASHER, 5/16
26	25155	18	WASHER, 5/16
27	22883-21	1	OIL PAN PLUG
28	22883-22	1	WASHER, Oil Pan Plug
29	25128	2	NUT, Hex Serrated Flange, 3/8-16
30	25011-8	2	CAPSCREW, Hex Head, 5/16-18 x 1
31	48600	1	MUFFLER SUPPORT
32	25013-14	2	CAPSCREW, Hex Head, 3/8-16 x 1-3/4
33	23125	1	MUFFLER
34	23126	1	WIRE GUARD (Export models only)
35	22308	1	BODY CLIP, 5/16-18 (Export models only)
36	25127	2	NUT, Hex Serrated Flange, 5/16-18
37	25237	4	CAPSCREW, Hex Head, M8 x 25MM
38	22883-36	1	GASKET, Exhaust Manifold
39	22883-9	1	FUEL SOLENOID
40	22883-10	1	WASHER, Fuel Solenoid
41	22883-12	1	WATER PUMP
42	22883-14	1	WATER HOSE-UPPER
43	22883-15	1	WATER HOSE-LOWER
44	22883-16	1	GASKET, Water Pump
45	22883-17	1	THERMOSTAT
46	22883-18	1	GASKET, Thermostat
47	22883-23	1	STARTER MOTOR
48	22883-24	1	ALTERNATOR
49	22883-25	1	BELT
50	22883-26	1	FUEL PUMP

Footnotes:

Ref No. 39-62 are not illustrated

The above parts group applies to the following Model Nos.:

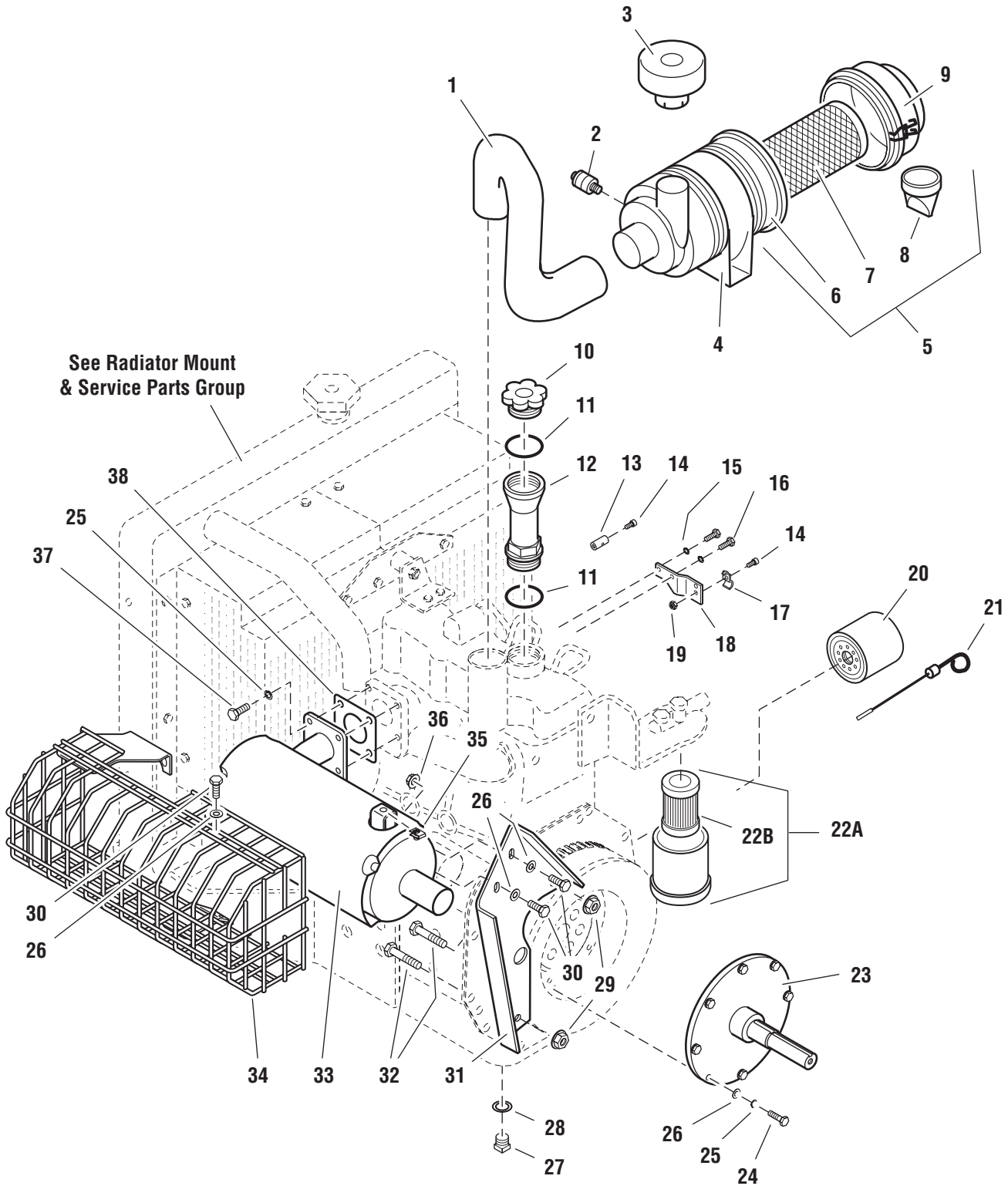
IS5000Z/C31D (S/N: 411 & above)

IS5000Z/C31DCE

IS5000ZC31D61CE

Engine Accessories & Service Parts Group - Diesel

NOTE: Unless noted otherwise,
use the standard hardware torque
specification chart.



The above parts group applies to the following Model Nos.:

- IS5000Z/C31D (S/N: 411 & above)
- IS5000Z/C31DCE
- IS5000ZC31D61CE

Engine Accessories & Service Parts Group - Diesel

REF NO.	PART NO.	QTY.	DESCRIPTION
51	22883-27	1	GASKET, Fuel Pump
52	22883-28	3	GLOW PLUG
53	22883-38	1	RADIATOR
54	22883-39	1	SWITCH, Oil Pressure
55	22883-40	1	SWITCH, Water Temperature
56	22883-41	1	STARTER SOLENOID
57	22883-42	1	SEAL, Rear Main
58	22883-43	1	SEAL, Front Main
59	22883-47	3	INJECTOR ASSEMBLY
60	22883-48	3	WASHER, 4-HOLE
61	22883-49	3	WASHER, SEALING
62	22883-50	3	WASHER, CRUSH

Footnotes:

Ref No. 39-62 are not illustrated

The above parts group applies to the following Model Nos.:

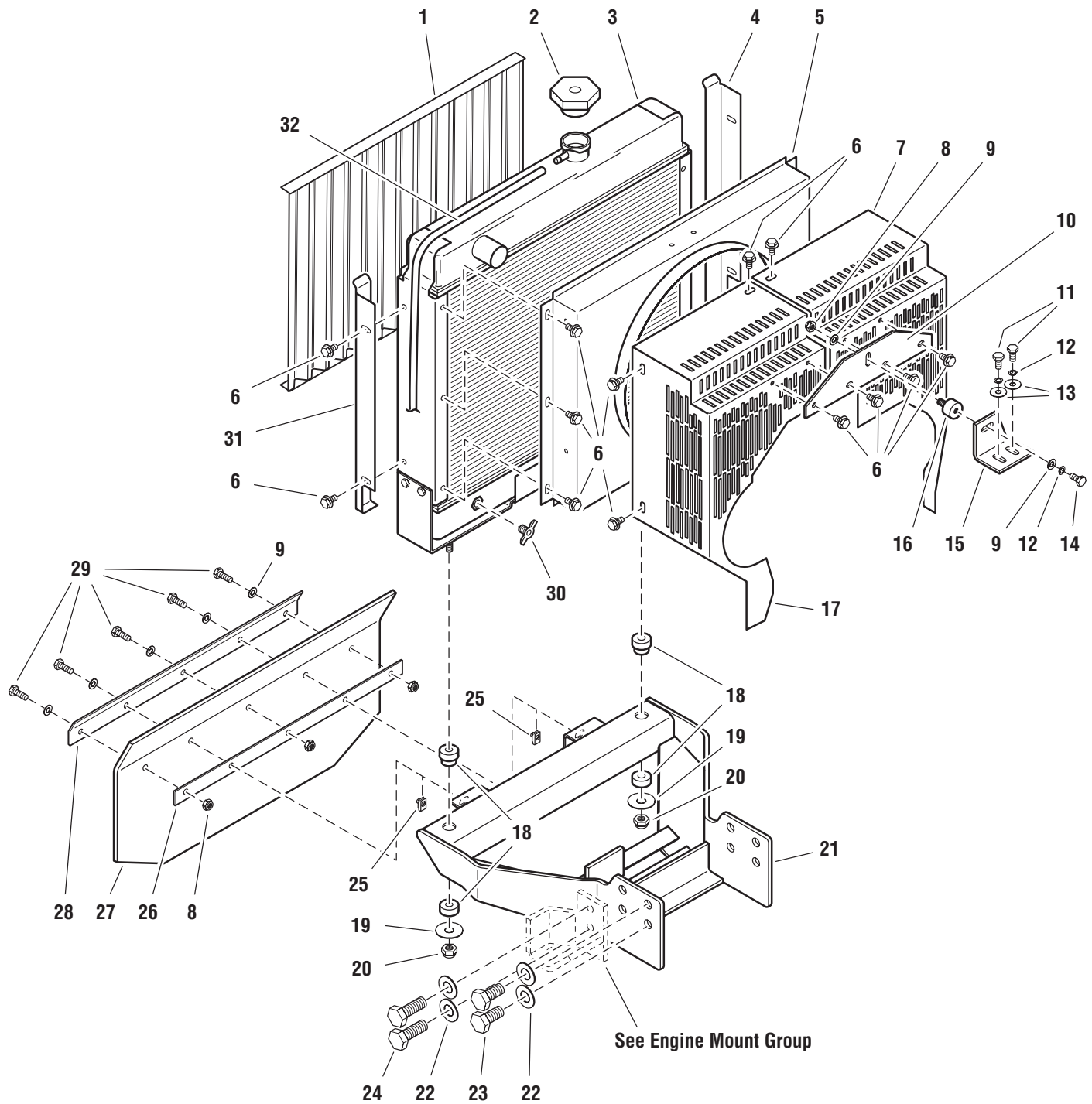
IS5000Z/C31D (S/N: 411 & above)

IS5000Z/C31DCE

IS5000ZC31D61CE

Radiator Mount & Service Parts Group

NOTE: Unless noted otherwise,
use the standard hardware torque
specification chart.



The above parts group applies to the following Model Nos.:

IS5000Z/C31D (S/N: 411 & above)
IS5000Z/C31DCE
IS5000ZC31D61CE

Radiator Mount & Service Parts Group

REF NO.	PART NO.	QTY.	DESCRIPTION
1	23129	1	SCREEN
2	23150	1	PRESSURE CAP
3	23127	1	RADIATOR
4	48534	1	SCREEN BRACKET-RH
5	23128	1	FAN SHROUD
6	23158	20	CAPSCREW, Hex Flange Head, 5/16-18 x 1/2
7	23134	1	FINGER GUARD-RH
8	25057	4	NUT, Hex Nylon Lock, 5/16-18
9	25155	7	WASHER, 5/16
10	48578	1	RADIATOR MOUNT PLATE
11	25249	2	CAPSCREW, M8-1.25 x 20MM
12	25170	3	LOCKWASHER, 5/16
13	25337	2	WASHER, USS, 5/16
14	25011-6	1	CAPSCREW, Hex Head, 5/16-18 x 3/4
15	48579	1	RADIATOR MOUNT BRACKET
16	23130	1	ISO-MOUNT, Top
17	23135	1	FINGER GUARD-LH
18	23131	2	ISO-MOUNT, Bottom (2 piece)
19	25305	2	WASHER, 3/8 x 1-3/4
20	25096	2	NUT, Hex Nylon Lock, 3/8-16
21	48503	1	RADIATOR MOUNT
22	25281	8	WASHER, 5/8
23	25383	4	CAPSCREW, Hex Head, M14 x 25MM
24	25382	4	CAPSCREW, Hex Head, M14 x 35MM
25	22308	2	BODY CLIP, 5/16-18
26	48565	1	RETAINING PLATE
27	48563	1	LOWER SEAL
28	48564	1	RETAINING PLATE, Outer
29	25011-8	5	CAPSCREW, Hex Head, 5/16-18 x 1
30	23151	1	PETCOCK VALVE
31	48533	1	SCREEN BRACKET-LH
32	48582	1	OVERFLOW HOSE

Footnotes:

The above parts group applies to the following Model Nos.:

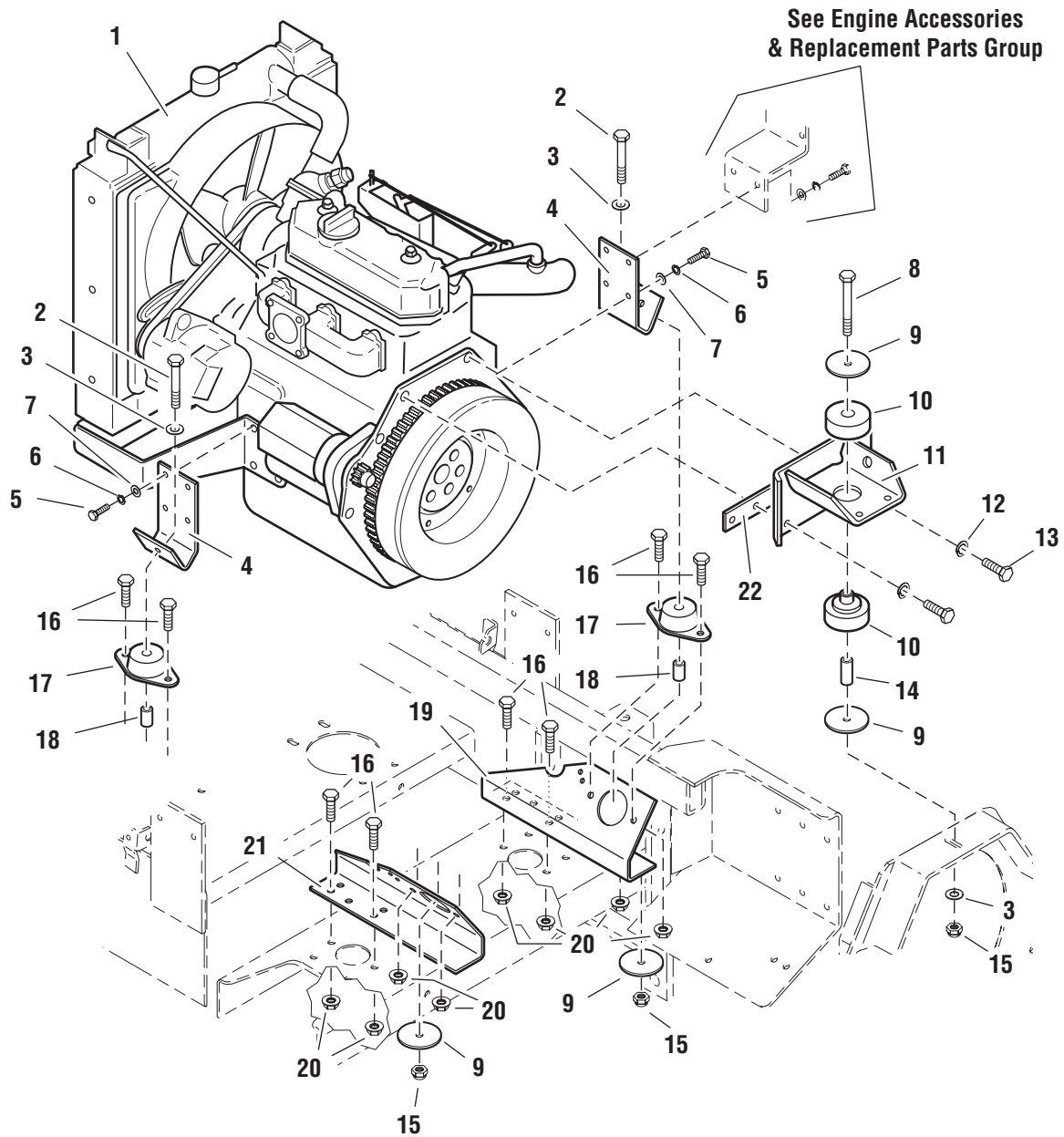
IS5000Z/C31D (S/N: 411 & above)

IS5000Z/C31DCE

IS5000ZC31D61CE

Engine & Mount Group - Gas

NOTE: Unless noted otherwise,
use the standard hardware torque
specification chart.



The above parts group applies to the following Model Nos.:
IS5000Z/D34

Engine & Mount Group - Gas

REF NO.	PART NO.	QTY.	DESCRIPTION
1	22936	1	ENGINE, Briggs & Stratton, Diahatsu 34 HP Gas
2	25013-20	2	CAPSCREW, Hex Head, 3/8-16 x 2-1/2
3	25156	3	WASHER, 3/8
4	47789	2	MOTOR MOUNT - Front
5	25245	6	CAPSCREW, Hex Head, M8 x 30MM
6	25170	6	LOCKWASHER, 5/16
7	25155	6	WASHER, 5/16
8	25013-24	1	CAPSCREW, Hex Head, 3/8-16 x 3
9	47381	4	WASHER, 3/8 x 2-1/2
10	22938	1	ISO MOUNT, Rear (2 piece)
11	48115	1	MOTOR MOUNT - Upper
12	25171	2	LOCKWASHER, 3/8
13	25344	2	CAPSCREW, Hex Head, M10 x 35MM
14	47380	1	SPACER, .38 x .62 x 1.62
15	25096	3	NUT, Hex Nylon Lock, 3/8-16
16	25013-8	8	CAPSCREW, Hex Head, 3/8-16 x 1
17	22937	2	ISO MOUNT, Front
18	44959	2	SPACER, .38 x .50 x 1.00
19	47791	1	MOTOR MOUNT PLATE - RH
20	25128	8	NUT, Hex Serrated Flange, 3/8-16
21	47792	1	MOTOR MOUNT PLATE - LH
22	47817	1	PLATE, Iso Mount, Rear

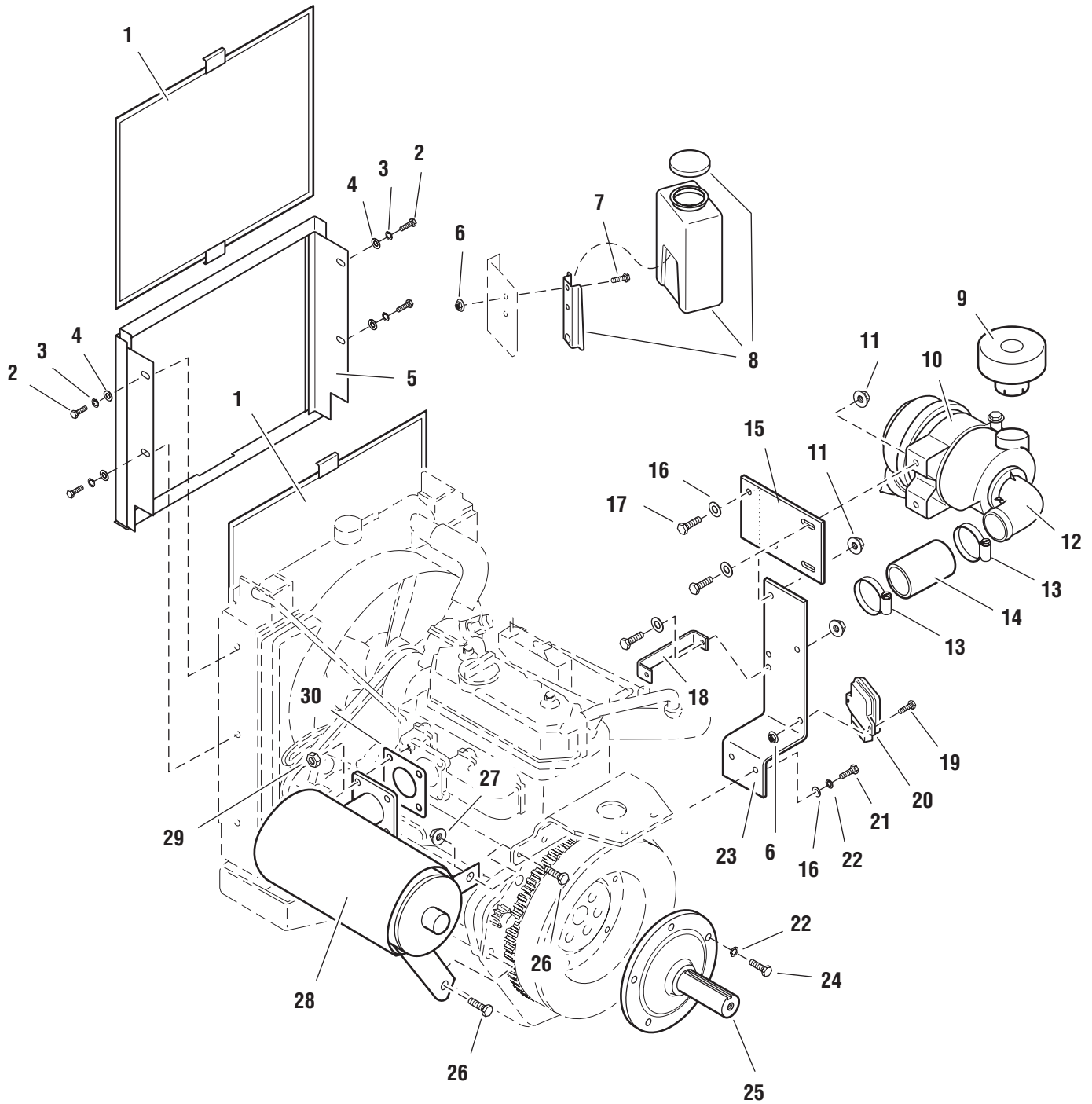
Footnotes:

The above parts group applies to the following Model Nos.:

IS5000Z/D34

Engine Accessories & Service Parts Group - Gas

NOTE: Unless noted otherwise,
use the standard hardware torque
specification chart.



The above parts group applies to the following Model Nos.:
IS5000Z/D34

Engine Accessories & Service Parts Group - Gas

REF NO.	PART NO.	QTY.	DESCRIPTION
1	*	2	SCREEN
2	*	4	CAPSCREW, Hex Head, M6 x15MM
3	25169	4	LOCKWASHER, 1/4
4	25154	4	WASHER, 1/4
5	47954	1	RADIATOR SHROUD
6	25126	4	NUT, Hex Serrated Flange, 1/4-20
7	25010-6	2	CAPSCREW, Hex Head, 1/4-20 x 3/4
8	*	1	RADIATOR & OVERFLOW KIT
9	23062	1	RAIN COVER
10	*	1	AIR CLEANER MOUNT BRACKET (835009)
11	25127	5	NUT, Hex Serrated Flange, 5/16-18
12	*	1	AIR CLEANER (835008)
13	*	2	HOSE CLAMP
14	*	1	INLET HOSE (835038)
15	47870	1	AIR CLEANER MOUNT PLATE
16	25155	7	WASHER, 5/16
17	25011-6	5	CAPSCREW, Hex Head, 5/16-18 x 3/4
18	47915	1	AIR CLEANER BRACE
19	25010-8	2	CAPSCREW, Hex Head, 1/4-20 x 1
20	*	1	IGNITION MODULE
21	25335	2	CAPSCREW, Hex Head, M8 x 35MM
22	25170	2	LOCKWASHER, 5/16
23	47838	1	AIR CLEANER BRACKET
24	25249	5	CAPSCREW, Hex Head, M8 x 20MM
25	22370-8	1	STUB SHAFT
26	25013-8	2	CAPSCREW, Hex Head, 3/8-16 x 1
27	25128	1	NUT, Hex Serrated Flange, 3/8-16
28	22950	1	MUFFLER
29	*	4	NUT, Hex, M8
30	*	1	MUFFLER GASKET

Footnotes:

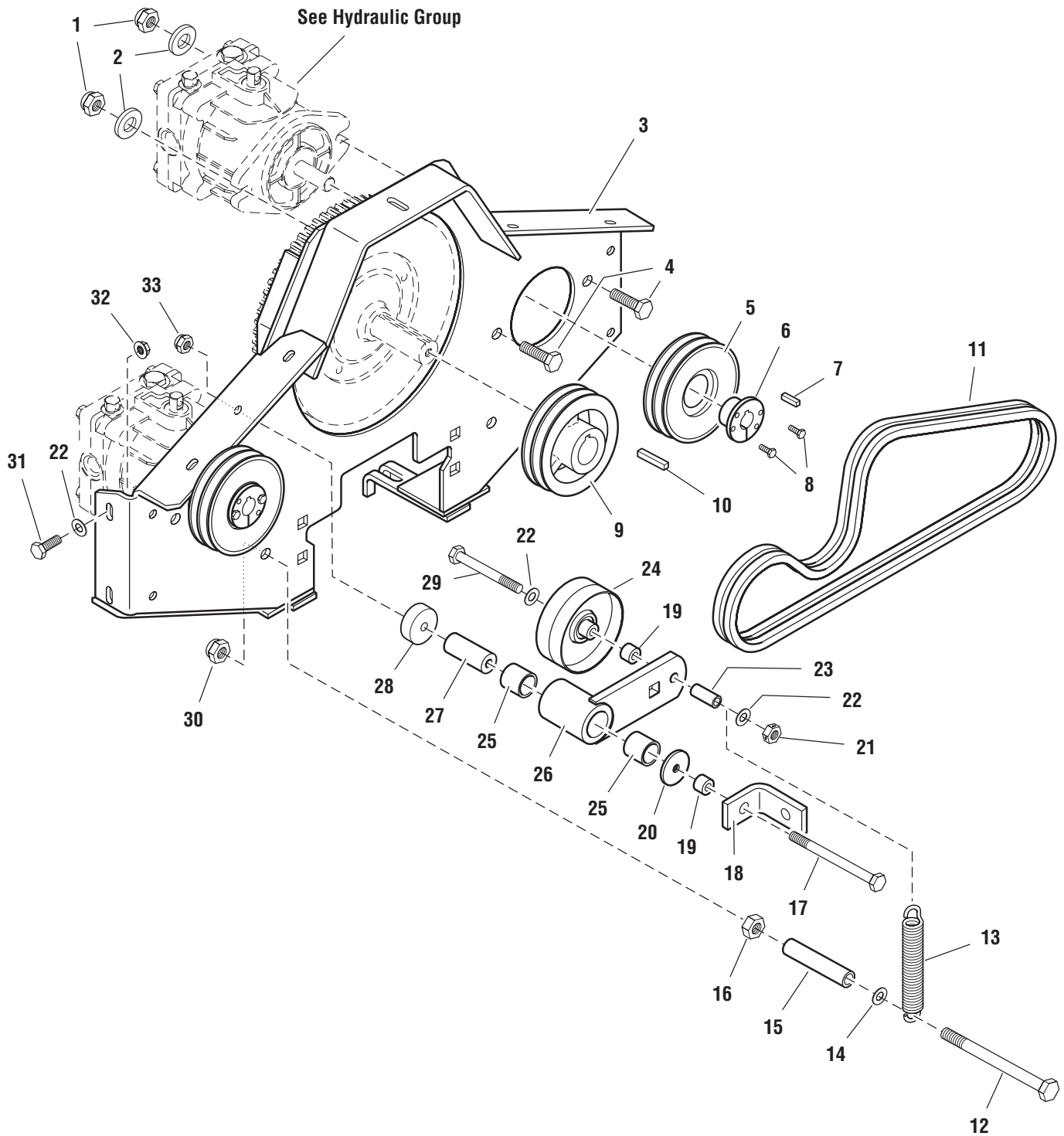
* See your local Briggs & Stratton Dealer for service parts

The above parts group applies to the following Model Nos.:

IS5000Z/D34

Pump Mount & Drive Group - Diesel

NOTE: Unless noted otherwise,
use the standard hardware torque
specification chart.



The above parts group applies to the following Model Nos.:

IS5000Z/C31D
IS5000Z/C31DCE
IS5000ZC31D61CE

Pump Mount & Drive Group - Diesel

REF NO.	PART NO.	QTY.	DESCRIPTION
1	25098	4	NUT, Hex Nylon Lock, 1/2-20
2	44913-009	4	WASHER, Retaining
3	47361	1	PUMP MOUNT PLATE
4	25018-14	4	CAPSCREW, Hex Head, 1/2-20 x 1-3/4
5	22382	2	PULLEY, Pump Drive
6	22383	2	HUB, Taper Lock
7	22156	2	KEY, 5mm Sq. x 25mm
8	25010-8	4	CAPSCREW, Hex Head, 1/4-20 x 1
9	22899	1	PULLEY, Pump Drive
10	50404-4	1	KEY, 5/16 Sq. x 1-1/4
11	22314	1	BELT, Pump Drive (set of 2)
12	25017-40	1	CAPSCREW, Hex Head, 1/2-13 x 5
13	22847	1	SPRING, Extension, Swivel End
14	25158	1	WASHER, 1/2
15	50857-3.25	1	HOSE, 3-1/4
16	25301	1	NUT, Hex, Jam, 1/2-13
17	25013-36	1	CAPSCREW, Hex Head, 3/8-16 x 4-1/2
18	42142	1	SPRING ANCHOR BRACKET
19	44933	2	SPACER, .39 x .75 x .38
20	25305	1	WASHER, 3/8 x 1-3/4
21	25100	1	NUT, Hex, Side Lock, 3/8-16
22	25156	8	WASHER, 3/8
23	47199	1	SPACER, .38 x .50 x .75
24	22373	1	PULLEY, Idler, Flat
25	22157	2	BUSHING, Brass
26	46574	1	PUMP DRIVE IDLER ARM
27	45135	1	SHAFT, Idler Pivot
28	45475	1	SPACER, .45 x 1.88 x .38
29	25013-24	1	CAPSCREW, Hex Head, 3/8-16 x 3
30	25056	1	NUT, Hex Nylon Lock, 1/2-13
31	25013-8	6	CAPSCREW, Hex Head, 3/8-16 x 1
32	25128	6	NUT, Hex Serrated Flange, 3/8-16
33	25096	1	NUT, Hex Nylon Lock, 3/8-16

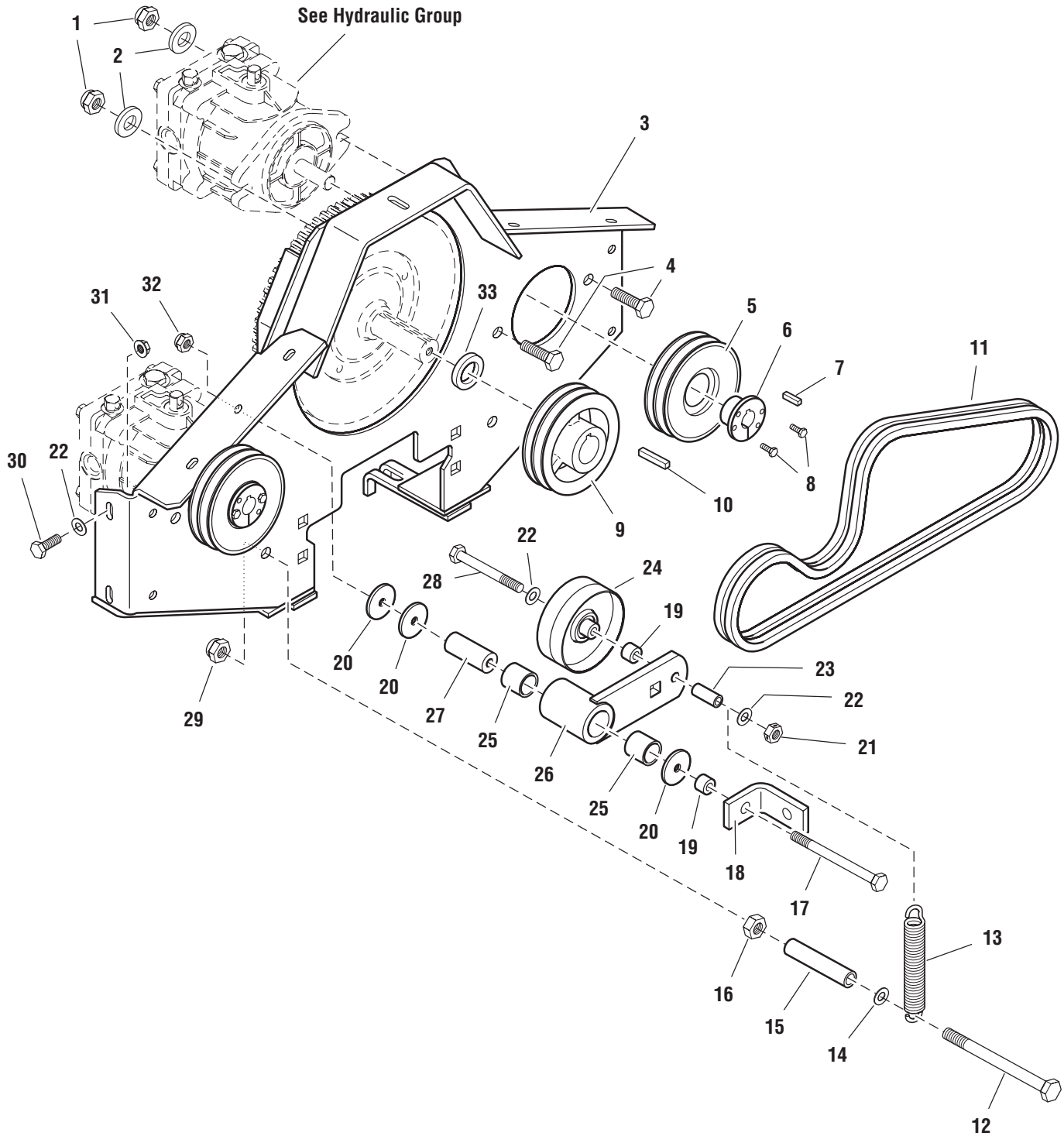
Footnotes:

The above parts group applies to the following Model Nos.:

IS5000Z/C31D
IS5000Z/C31DCE
IS5000ZC31D61CE

Pump Mount & Drive Group - Gas

NOTE: Unless noted otherwise,
use the standard hardware torque
specification chart.



The above parts group applies to the following Model Nos.:
IS5000Z/D34

Pump Mount & Drive Group - Gas

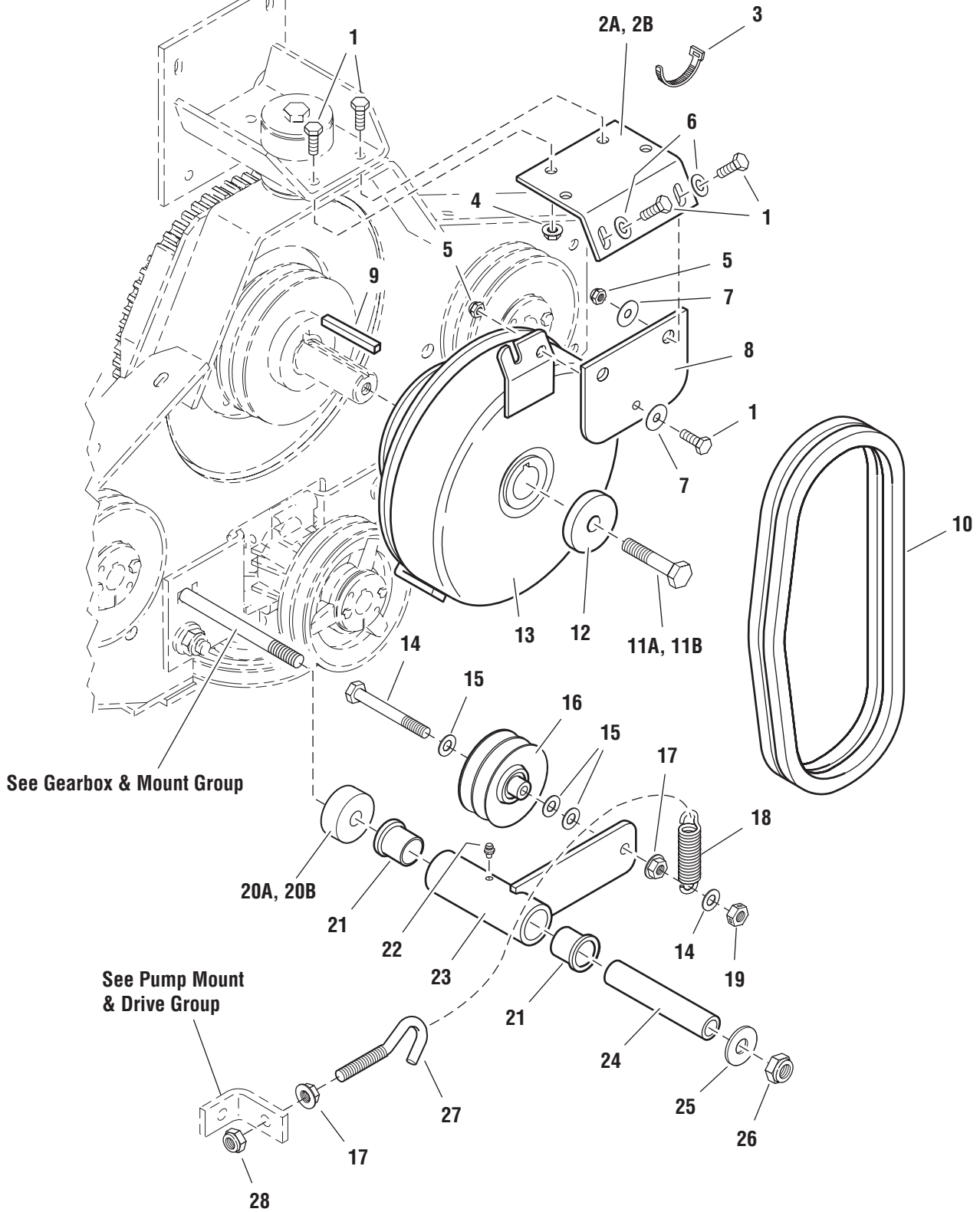
REF NO.	PART NO.	QTY.	DESCRIPTION
1	25098	4	NUT, Hex Nylon Lock, 1/2-20
2	44913-009	4	WASHER, Retaining
3	47361	1	PUMP MOUNT PLATE
4	25018-14	4	CAPSCREW, Hex Head, 1/2-20 x 1-3/4
5	22382	2	PULLEY, Pump Drive
6	22383	2	HUB, Taper Lock
7	22156	2	KEY, 5mm Sq. x 25mm
8	25010-8	4	CAPSCREW, Hex Head, 1/4-20 x 1
9	22380	1	PULLEY, Pump Drive
10	50407-2	1	KEY, 1/4 Sq. x 3
11	22314	1	BELT, Pump Drive (set of 2)
12	25017-40	1	CAPSCREW, Hex Head, 1/2-13 x 5
13	22847	1	SPRING, Extension, Swivel End
14	25158	1	WASHER, 1/2
15	50857-3.25	1	HOSE, 3-1/4
16	25301	1	NUT, Hex, Jam, 1/2-13
17	25013-36	1	CAPSCREW, Hex Head, 3/8-16 x 4-1/2
18	42142	1	SPRING ANCHOR BRACKET
19	44933	2	SPACER, .39 x .75 x .38
20	25305	3	WASHER, 3/8 x 1-3/4
21	25100	1	NUT, Hex, Side Lock, 3/8-16
22	25156	8	WASHER, 3/8
23	47199	1	SPACER, .38 x .50 x .75
24	22373	1	PULLEY, Idler, Flat
25	22157	2	BUSHING, Brass
26	46574	1	PUMP DRIVE IDLER ARM
27	45135	1	SHAFT, Idler Pivot
28	25013-24	1	CAPSCREW, Hex Head, 3/8-16 x 3
29	25056	1	NUT, Hex Nylon Lock, 1/2-13
30	25013-8	6	CAPSCREW, Hex Head, 3/8-16 x 1
31	25128	6	NUT, Hex Serrated Flange, 3/8-16
32	25096	1	NUT, Hex Nylon Lock, 3/8-16
33	46904	1	SPACER, 1.13 x 1.75 x .25

Footnotes:

The above parts group applies to the following Model Nos.:
IS5000Z/D34

PTO Clutch & Anchor Group

NOTE: Unless noted otherwise,
use the standard hardware torque
specification chart.



The above parts group applies to the following Model Nos.:

IS5000Z/C31D
IS5000Z/C31DCE
IS5000ZC31D61CE

IS5000Z/D34

PTO Clutch & Anchor Group

REF NO.	PART NO.	QTY.	DESCRIPTION
1	25011-8	5	CAPSCREW, Hex Head, 5/16-18 x 1
2A	47563	1	CLUTCH ANCHOR (diesel model)
2B	47839	1	CLUTCH ANCHOR (gas model)
3	21030	1	TIE WRAP
4	25127	2	NUT, Hex Serrated Flange, 5/16-18
5	25045	3	NUT, Hex Nylon Lock, 5/16-18
6	25155	2	WASHER, 5/16
7	44617-009	3	WASHER, Clutch Anchor
8	43636	1	CLUTCH ANCHOR PAD
9	50407-2	1	KEY, 1/4 Sq. x 3 (diesel only)
10	22575	1	BELT, Clutch Drive (set of 2)
11A	45473	1	CRANKSHAFT BOLT, 7/16 x 1-1/2 (diesel model)
11B	47991	1	CRANKSHAFT BOLT, 7/16 x 3-3/4 (gas model)
12	45475	1	SPACER, .45 x 1.88 x .38
13	22884	1	PTO CLUTCH
14	25013-24	1	CAPSCREW, Hex Head, 3/8-16 x 3
15	25156	4	WASHER, 3/8
16	22797	1	PULLEY, Idler
17	25128	2	NUT, Hex Serrated Flange, 3/8-16
18	1608395	1	SPRING, Extension
19	25100	1	NUT, Hex, Side Lock, 3/8-16
20A	46916	1	SPACER, .51 x 1.75 x .75 (diesel model)
20B	47843	1	SPACER, .51 x 1.75 x .50 (gas model)
21	22250	2	BUSHING, Flange
22	20095	1	GREASE FITTING
23	46565	1	CLUTCH DRIVE IDLER ARM
24	45305	1	PIVOT SLEEVE
25	25158	1	WASHER, 1/2
26	25056	1	NUT, Hex Nylon Lock, 1/2-13
27	25321	1	SCREW HOOK, 3/8-16 x 4-1/4
28	25096	1	NUT, Hex Nylon Lock, 3/8-16

Footnotes:

The above parts group applies to the following Model Nos.:

IS5000Z/C31D

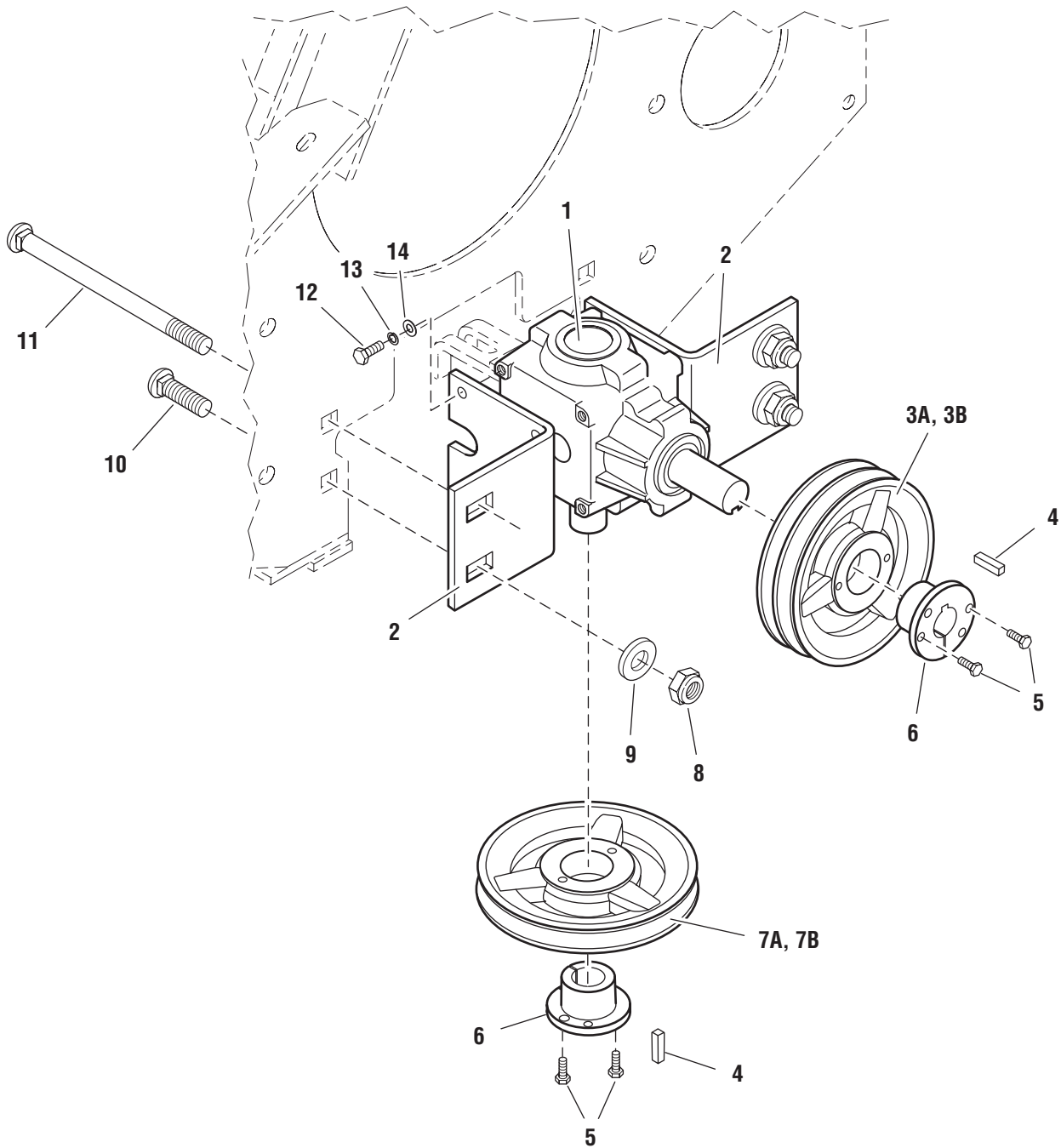
IS5000Z/D34

IS5000Z/C31DCE

IS5000ZC31D61CE

Gearbox & Mount Group

NOTE: Unless noted otherwise,
use the standard hardware torque
specification chart.



The above parts group applies to the following Model Nos.:

IS5000Z/C31D

IS5000Z/D34

IS5000Z/C31DCE

IS5000ZC31D61CE

Gearbox & Mount Group

REF NO.	PART NO.	QTY.	DESCRIPTION
1	22378	1	GEARBOX
2	46349	2	GEARBOX MOUNT BRACKET
3A	22908	1	PULLEY, Gearbox Input (diesel model)
3B	22384	1	PULLEY, Gearbox Input (gas model)
4	50407-1	2	KEY, 1/4 Sq. x 1
5	25010-8	4	CAPSCREW, Hex Head, 1/4-20 x 1
6	20819	2	HUB, Taper Lock
7A	22794	1	PULLEY, Spindle (diesel model)
7B	20815	1	PULLEY, Spindle (gas model)
8	25038	3	NUT, Hex Nylon Lock, 1/2-13
9	44913-009	3	WASHER, Retaining
10	25324-16	3	CARRIAGE BOLT, 1/2-13 x 2
11	25334	1	CARRIAGE BOLT, 1/2-13 x 7
12	25011-8	8	CAPSCREW, Hex Head, 5/16-18 x 1
13	25170	8	LOCKWASHER, 5/16
14	25155	8	WASHER, 5/16

Footnotes:

The above parts group applies to the following Model Nos.:

IS5000Z/C31D

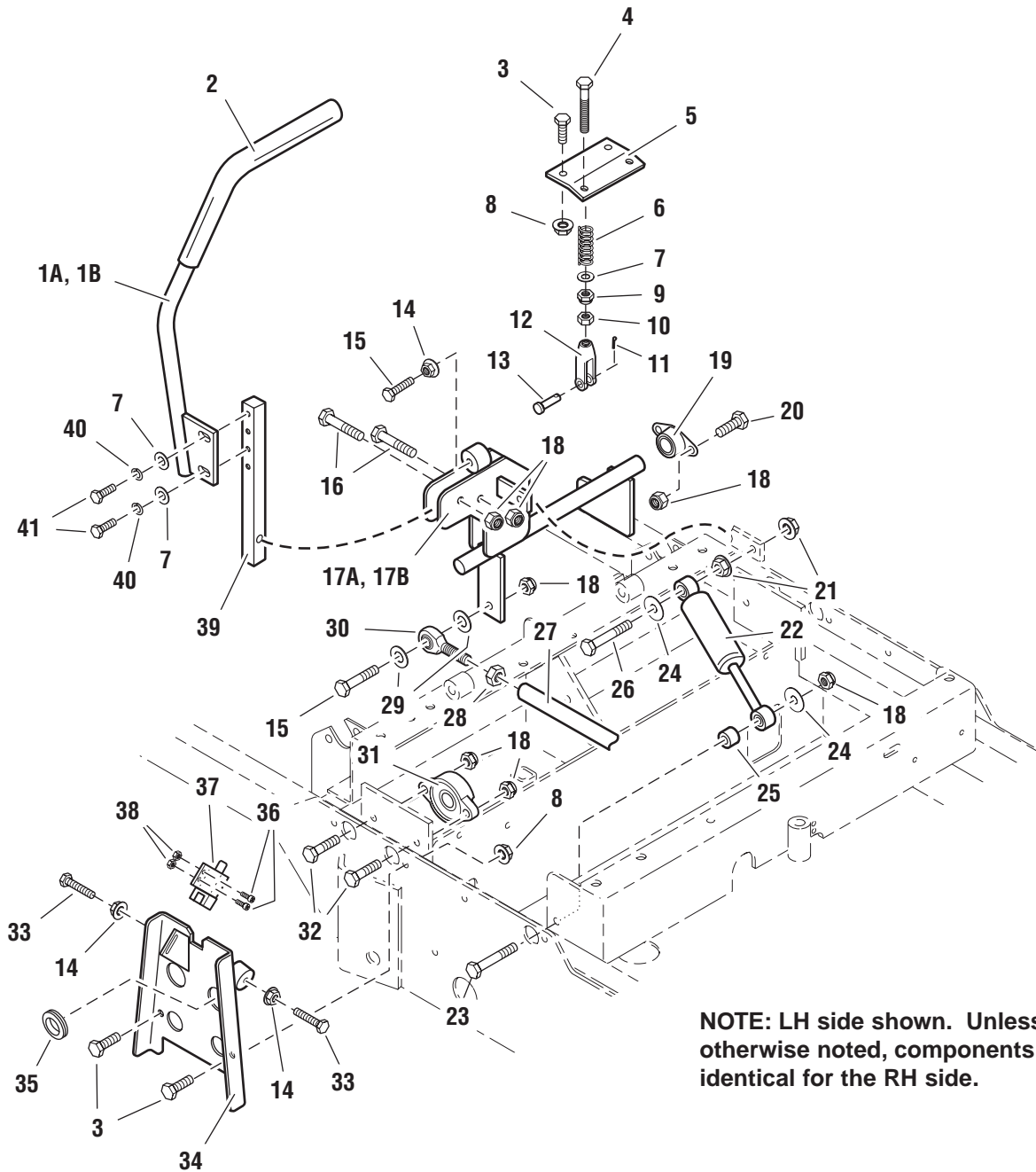
IS5000Z/D34

IS5000Z/C31DCE

IS5000ZC31D61CE

Motion Control Group - Upper

NOTE: Unless noted otherwise, use the standard hardware torque specification chart.



NOTE: LH side shown. Unless otherwise noted, components are identical for the RH side.

The above parts group applies to the following Model Nos.:

- IS5000Z/C31D
- IS5000Z/D34
- IS5000Z/C31DCE
- IS5000ZC31D61CE

Motion Control Group - Upper

REF NO.	PART NO.	QTY.	DESCRIPTION
1A	47410	1	CONTROL HANDLE - LH
1B	47411	1	CONTROL HANDLE - RH (not shown)
2	22068	2	FOAM GRIP
3	25011-6	6	CAPSCREW, Hex Head, 5/16-18 x 3/4
4	47137	2	REVERSE RETURN BOLT
5	47401	1	NEUTRAL RETURN PLATE
6	22645	2	SPRING, Reverse Return
7	25155	6	WASHER, 5/16
8	25139	6	NUT, Hex Serrated Flange, 5/16-18
9	25045	2	NUT, Hex Nylon Lock, 5/16-24
10	25033	2	NUT, Hex, 5/16-24
11	25211	2	HAIRPIN CLIP
12	20979	2	CLEVIS, 5/16-24
13	25213-8	2	PIN, Clevis, 5/16 x 1
14	25127	6	NUT, Hex Serrated Flange, 5/16-18
15	25055-10	2	CAPSCREW, Hex Head, 5/16-18 x 1-1/4 TFL
16	25013-14	6	CAPSCREW, Hex Head, 3/8-16 x 1-3/4
17A	47375	1	MOTION CONTROL SHAFT - LH
17B	47374	1	MOTION CONTROL SHAFT - RH (not shown)
18	25096	14	NUT, Hex Nylon Lock, 3/8-16
19	21098	2	BEARING, Flange
20	25013-8	2	CAPSCREW, Hex Head, 3/8-16 x 1
21	25128	4	NUT, Hex Serrated Flange, 3/8-16
22	22912	2	CONTROL DAMPENER
23	25013-20	2	CAPSCREW, Hex Head, 3/8-16 x 2-1/2
24	25165	4	WASHER, Fender, 3/8
25	47408	2	SPACER, .39 x .75 x .50
26	25013-18	2	CAPSCREW, Hex Head, 3/8-16 x 2-1/4
27	46393	2	CONTROL ROD
28	25035	2	NUT, Hex, 3/8-24
29	25156	4	WASHER, 3/8
30	21124	2	BALL JOINT, 3/8-24
31	21499	2	BEARING, Flange
32	25013-10	4	CAPSCREW, Hex Head, 3/8-16 x 1-1/4
33	25055-16	4	CAPSCREW, Hex Head, 5/16-18 x 2 TFL
34	47390	2	NEUTRAL LOCK PLATE
35	21379	2	GROMMET
36	25270	4	SCREW, Phillips, #10-24 x 1
37	*	2	SWITCH (see electrical schematic)
38	25029	4	NUT, Hex, #10-24
39	47004	2	CONTROL LEVER BASE
40	25170	4	LOCKWASHER, 5/16
41	25011-6	4	CAPSCREW, Hex Head, 5/16-18 x 1

Footnotes:

* - See Electrical Schematic for switch part number

The above parts group applies to the following Model Nos.:

IS5000Z/C31D

IS5000Z/D34

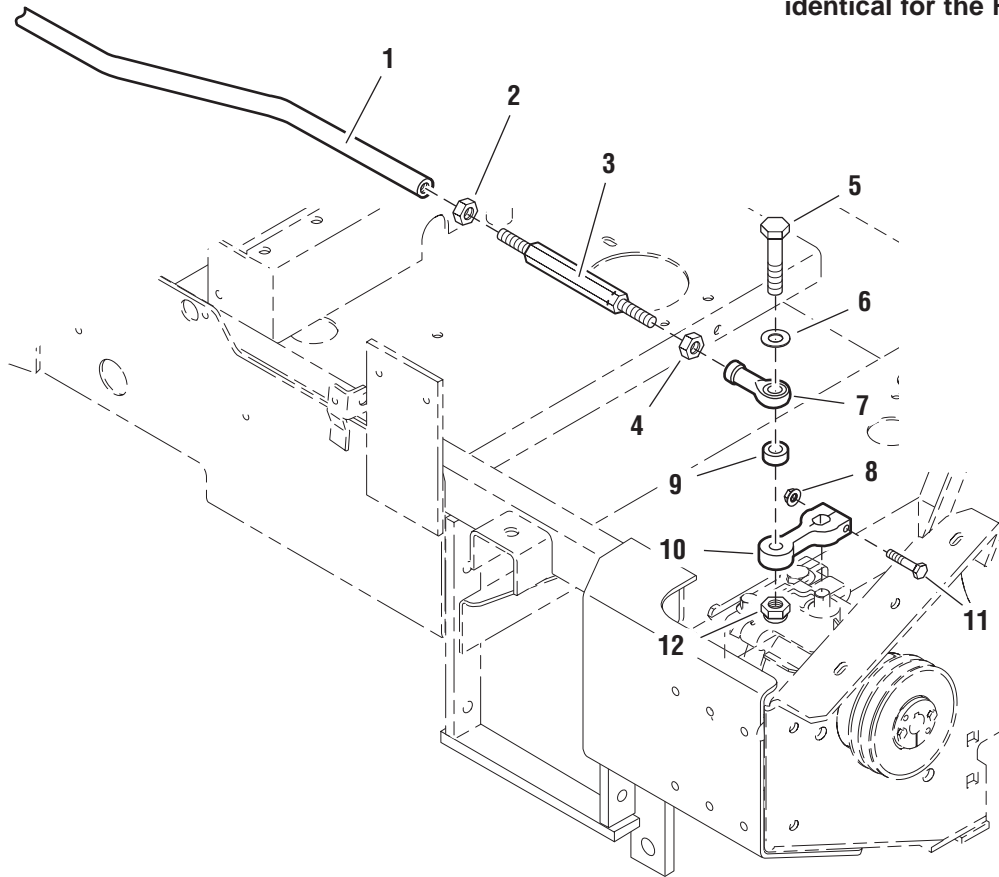
IS5000Z/C31DCE

IS5000ZC31D61CE

Motion Control Group - Lower

NOTE: Unless noted otherwise,
use the standard hardware torque
specification chart.

NOTE: LH side shown. Unless
otherwise noted, components are
identical for the RH side.



The above parts group applies to the following Model Nos.:

IS5000Z/C31D

IS5000Z/D34

IS5000Z/C31DCE

IS5000ZC31D61CE

Motion Control Group - Lower

REF NO.	PART NO.	QTY.	DESCRIPTION
1	46393	2	CONTROL ROD
2	25035	2	NUT, Hex, 3/8-24
3	47589	2	LINK, Neutral Adjust
4	25317	2	NUT, Hex, 3/8-24 LH
5	25013-16	2	CAPSCREW, Hex Head, 3/8-16 x 2
6	25156	2	WASHER, 3/8
7	22392	2	BALL JOINT, 3/8-24 LH, Female
8	25126	2	NUT, Hex Serrated Flange, 1/4-20
9	44933	2	SPACER, .39 x .75 x .38
10	45863	2	CONTROL ARM
11	25010-14	2	CAPSCREW, Hex Head, 1/4-20 x 1-3/4
12	25096	2	NUT, Hex Nylon Lock, 3/8-16

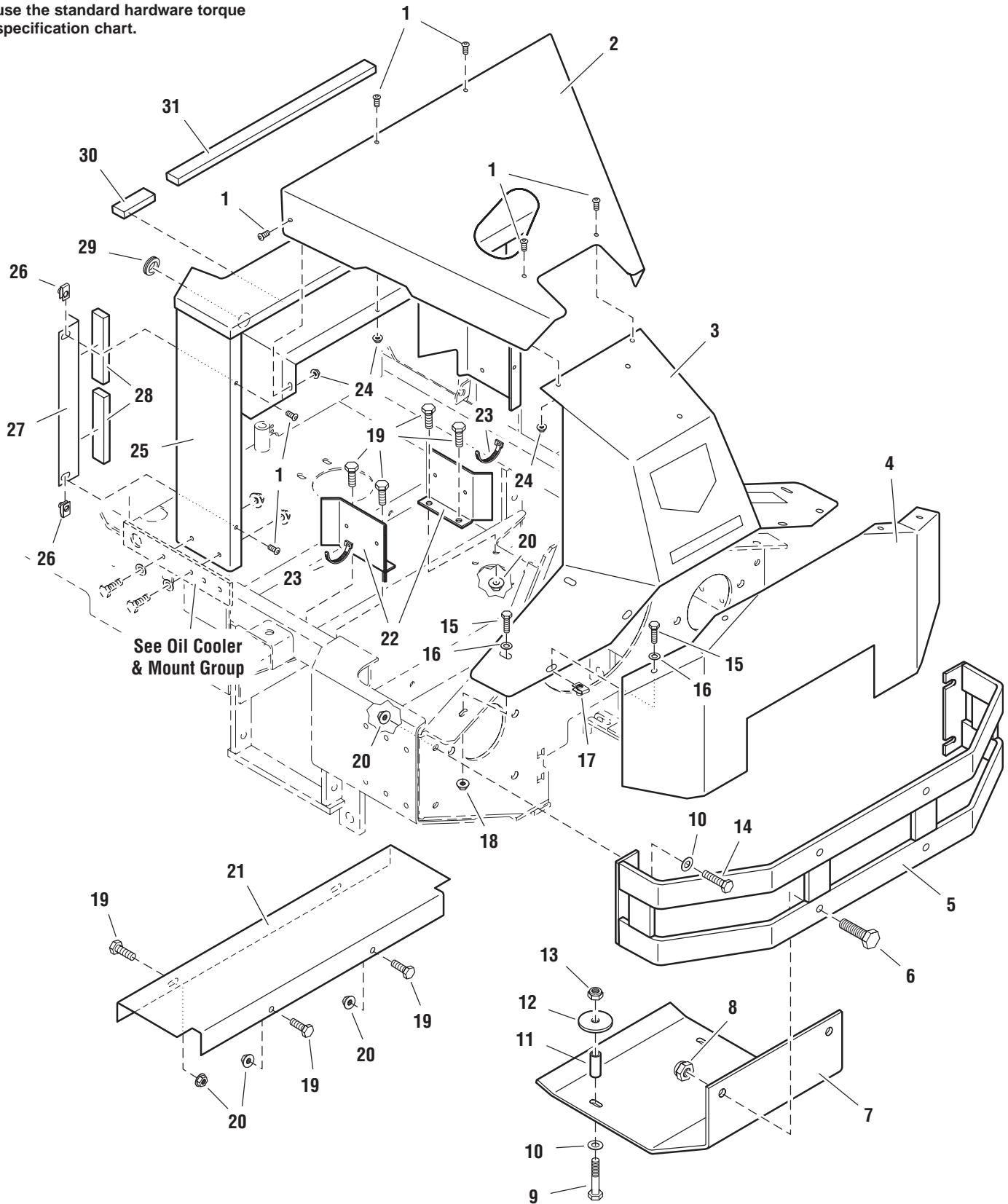
Footnotes:

The above parts group applies to the following Model Nos.:

IS5000Z/C31D IS5000Z/D34
IS5000Z/C31DCE
IS5000ZC31D61CE

Hood, Bumper & Shield Group - Diesel

NOTE: Unless noted otherwise,
use the standard hardware torque
specification chart.



The above parts group applies to the following Model Nos.:

IS5000Z/C31D (S/N: 410 & below)

Hood, Bumper & Shield Group - Diesel

REF NO.	PART NO.	QTY.	DESCRIPTION
1	25299-4	10	SCREW, Allen Head, 1/4-20 x 1/2
2	47555	1	HOOD
3	47552	1	REAR HOOD SUPPORT
4	45784	1	REAR SHIELD
5	47578	1	BUMPER
6	25018-12	2	CAPSCREW, Hex Head, 1/2-20 x 1-1/2
7	47581	1	SKID SHIELD
8	25098	2	NUT, Hex Nylon Lock, 1/2-20
9	25013-20	2	CAPSCREW, Hex Head, 3/8-16 x 2-1/2
10	25156	6	WASHER, 3/8
11	44992	2	SPACER, .38 x .50 x 1.56
12	25305	2	WASHER, 3/8 x 1-3/4
13	25196	2	NUT, Hex Nylon Lock, 3/8-16
14	25013-10	4	CAPSCREW, Hex Head, 3/8-16 x 1-1/4
15	25011-8	8	CAPSCREW, Hex Head, 5/16-18 x 1
16	25155	8	WASHER, 5/16
17	22308	4	BODY CLIP, 5/16-18
18	25127	4	NUT, Hex Serrated Flange, 5/16-18
19	25013-8	8	CAPSCREW, Hex Head, 3/8-16 x 1
20	25128	12	NUT, Hex Serrated Flange, 3/8-16
21	47545	1	DEBRIS SHIELD
22	47587	2	SUPPORT PLATE
23	21029	2	TIE WRAP
24	25126	6	NUT, Hex Serrated Flange, 1/4-20
25	47436	1	RADIATOR SHROUD
26	22665	4	BODY CLIP, 1/4-20
27	47749	2	RADIATOR SEAL ANGLE
28	50913-7	4	FOAM SEAL, 7"
29	21077	2	GROMMET
30	50913-2	1	FOAM SEAL, 2"
31	50913-16	1	FOAM SEAL, 16"

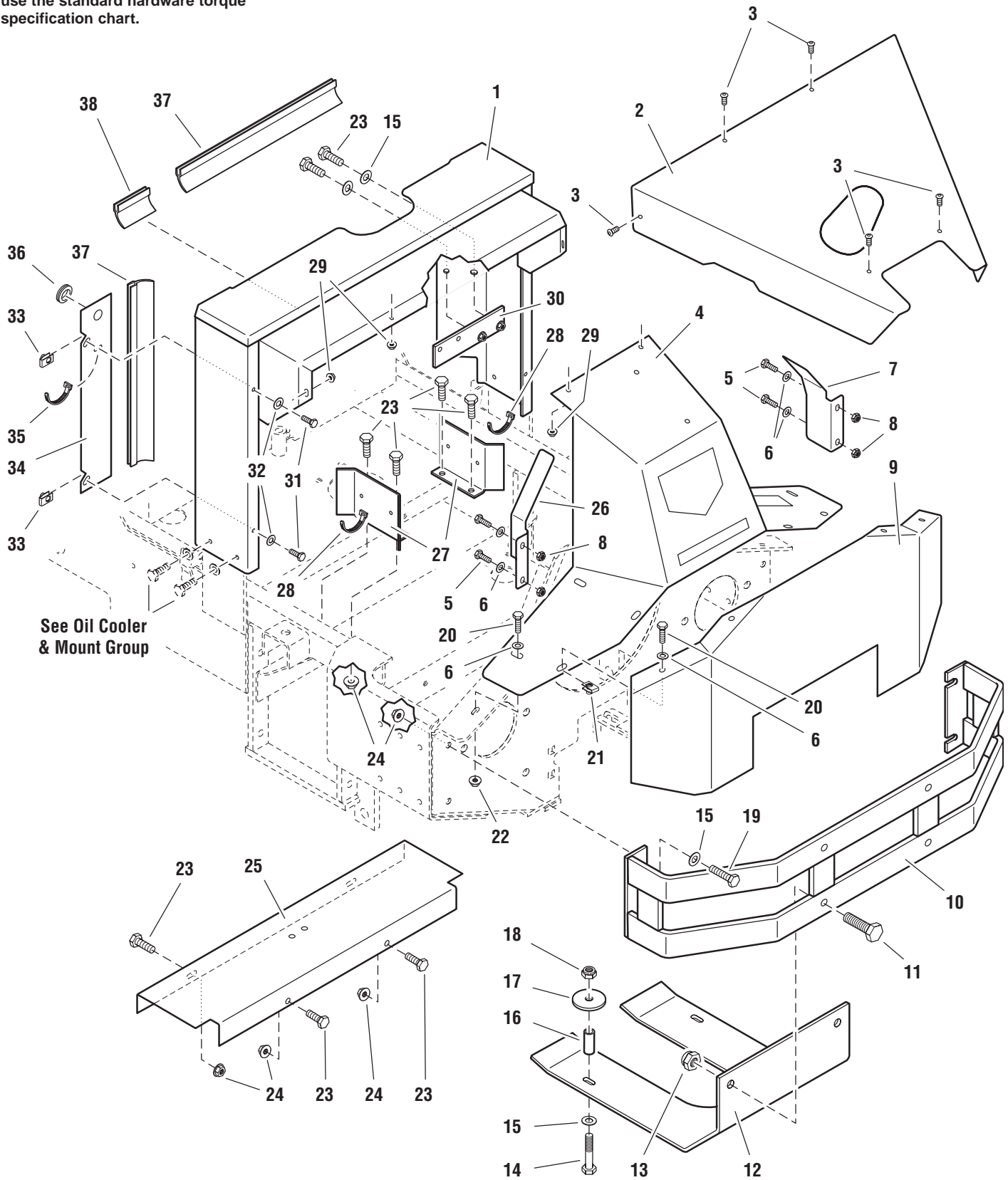
Footnotes:

The above parts group applies to the following Model Nos.:

IS5000Z/C31D (S/N: 410 & below)

Hood, Bumper & Shield Group - Diesel

NOTE: Unless noted otherwise,
use the standard hardware torque
specification chart.



The above parts group applies to the following Model Nos.:

- IS5000Z/C31D (S/N: 411 & above)
- IS5000Z/C31DCE
- IS5000ZC31D61CE

Hood, Bumper & Shield Group - Diesel

REF NO.	PART NO.	QTY.	DESCRIPTION
1	48552	1	RADIATOR SHROUD
2	47555	1	HOOD
3	25299-6	6	SCREW, Allen Head, 1/4-20 x 3/4
4	47552	1	REAR HOOD SUPPORT
5	25011-6	4	CAPSCREW, Hex Head, 5/16-18 x 3/4
6	25155	12	WASHER, 5/16
7	48348	1	FLYWHEEL GUARD-RH (Export models only)
8	25057	4	NUT, Hex Nylon Lock, 5/16-18
9	45784	1	REAR SHIELD
10	47578	1	BUMPER
11	25018-12	2	CAPSCREW, Hex Head, 1/2-20 x 1-1/2
12	47581	1	SKID SHIELD
13	25098	2	NUT, Hex Nylon Lock, 1/2-20
14	25013-20	2	CAPSCREW, Hex Head, 3/8-16 x 2-1/2
15	25156	8	WASHER, 3/8
16	44992	2	SPACER, .38 x .50 x 1.56
17	25305	2	WASHER, 3/8 x 1-3/4
18	25196	2	NUT, Hex Nylon Lock, 3/8-16
19	25013-10	4	CAPSCREW, Hex Head, 3/8-16 x 1-1/4
20	25011-8	8	CAPSCREW, Hex Head, 5/16-18 x 1
21	22308	4	BODY CLIP, 5/16-18
22	25127	4	NUT, Hex Serrated Flange, 5/16-18
23	25013-8	10	CAPSCREW, Hex Head, 3/8-16 x 1
24	25128	12	NUT, Hex Serrated Flange, 3/8-16
25	47545	1	DEBRIS SHIELD
26	48349	1	FLYWHEEL GUARD-LH (Export models only)
27	47587	2	SUPPORT PLATE
28	21029	2	TIE WRAP
29	25391	6	NUT, Hex Nylock Flange, 1/4-20
30	48627	1	MOUNT, Water Separator
31	25010-6	4	CAPSCREW, Hex Head, 1/4-20 x 3/4
32	25154	4	WASHER, 1/4
33	22665	4	BODY CLIP, 1/4-20
34	48557	2	SIDE BAFFLE
35	21030	2	TIE WRAP
36	21077	2	GROMMET
37	50926-17	3	WIPER SEAL, 17"
38	50926-3	1	WIPER SEAL, 3"

Footnotes:

The above parts group applies to the following Model Nos.:

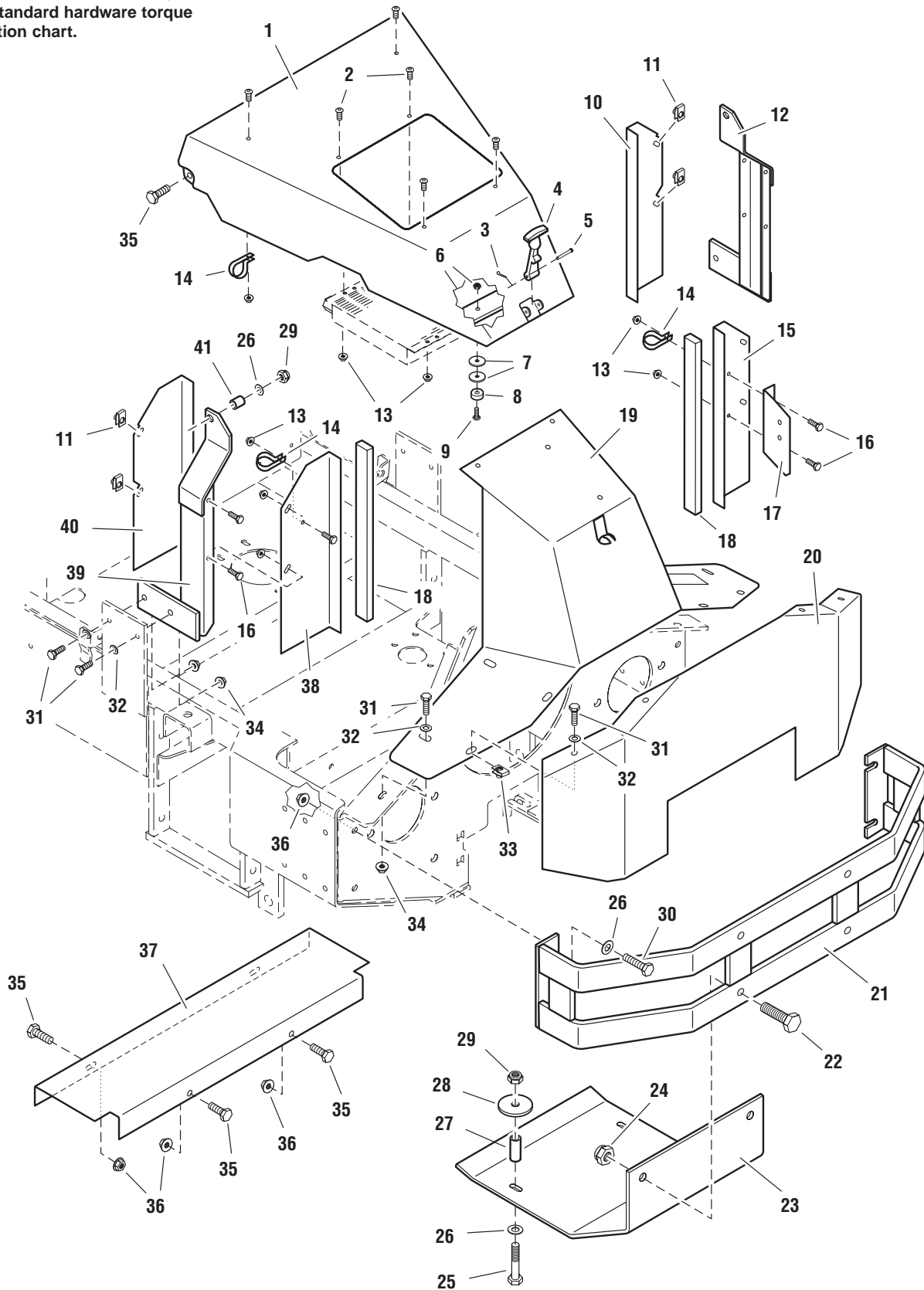
IS5000Z/C31D (S/N: 411 & above)

IS5000Z/C31DCE

IS5000ZC31D61CE

Hood, Bumper & Shield Group - Gas

NOTE: Unless noted otherwise,
use the standard hardware torque
specification chart.



The above parts group applies to the following Model Nos.:
IS5000Z/D34

Hood, Bumper & Shield Group - Gas

REF NO.	PART NO.	QTY.	DESCRIPTION
1	47973	1	HOOD
2	25299-6	6	SCREW, Allen Hd, 1/4-20 x 3/4
3	20841-5	1	PIN, Cotter
4	20841-1	1	RUBBER LATCH
5	20841-4	1	PIN, Clevis
6	25271	2	NUT, Hex Nylon Lock, #10-24
7	25288	4	WASHER, Fender, 1/4
8	22997	2	RUBBER BUMPER
9	25270-6	2	SCREW, Phillips, Pan Hd, #10-24 x 3/4
10	47984	1	SHROUD COVER-RH
11	22665	4	BODY CLIP, 1/4-20
12	47967	1	HOOD MOUNT CHANNEL-RH
13	25126	13	NUT, Hex Serrated Flange, 1/4-20
14	21500	4	CLAMP, Vinyl
15	47976	1	AIR BAFFLE-RH
16	25010-5	11	CAPSCREW, Hex Head, 1/4-20 x 5/8
17	47974	1	OVERFLOW BOTTLE MOUNT
18	50913-16	2	FOAM SEAL, 16"
19	47962	1	REAR HOOD SUPPORT
20	45784	1	REAR SHIELD
21	47578	1	BUMPER
22	25018-12	2	CAPSCREW, Hex Head, 1/2-20 x 1-1/2
23	47581	1	SKID SHIELD
24	25098	2	NUT, Hex Nylon Lock, 1/2-20
25	25013-20	2	CAPSCREW, Hex Head, 3/8-16 x 2-1/2
26	25156	4	WASHER, 3/8
27	44992	2	SPACER, .38 x .50 x 1.56
28	25305	2	WASHER, 3/8 x 1-3/4
29	25196	4	NUT, Hex Nylon Lock, 3/8-16
30	25013-10	4	CAPSCREW, Hex Head, 3/8-16 x 1-1/4
31	25011-8	12	CAPSCREW, Hex Head, 5/16-18 x 1
32	25155	12	WASHER, 5/16
33	22308	4	BODY CLIP, 5/16-18
34	25127	8	NUT, Hex Serrated Flange, 5/16-18
35	25013-8	6	CAPSCREW, Hex Head, 3/8-16 x 1
36	25128	4	NUT, Hex Serrated Flange, 3/8-16
37	47545	1	DEBRIS SHIELD
38	47975	1	AIR BAFFLE-LH
39	47966	1	HOOD MOUNT CHANNEL-LH
40	47983	1	SHROUD COVER-LH
41	41930	2	SPACER, .38 x .50 x .27

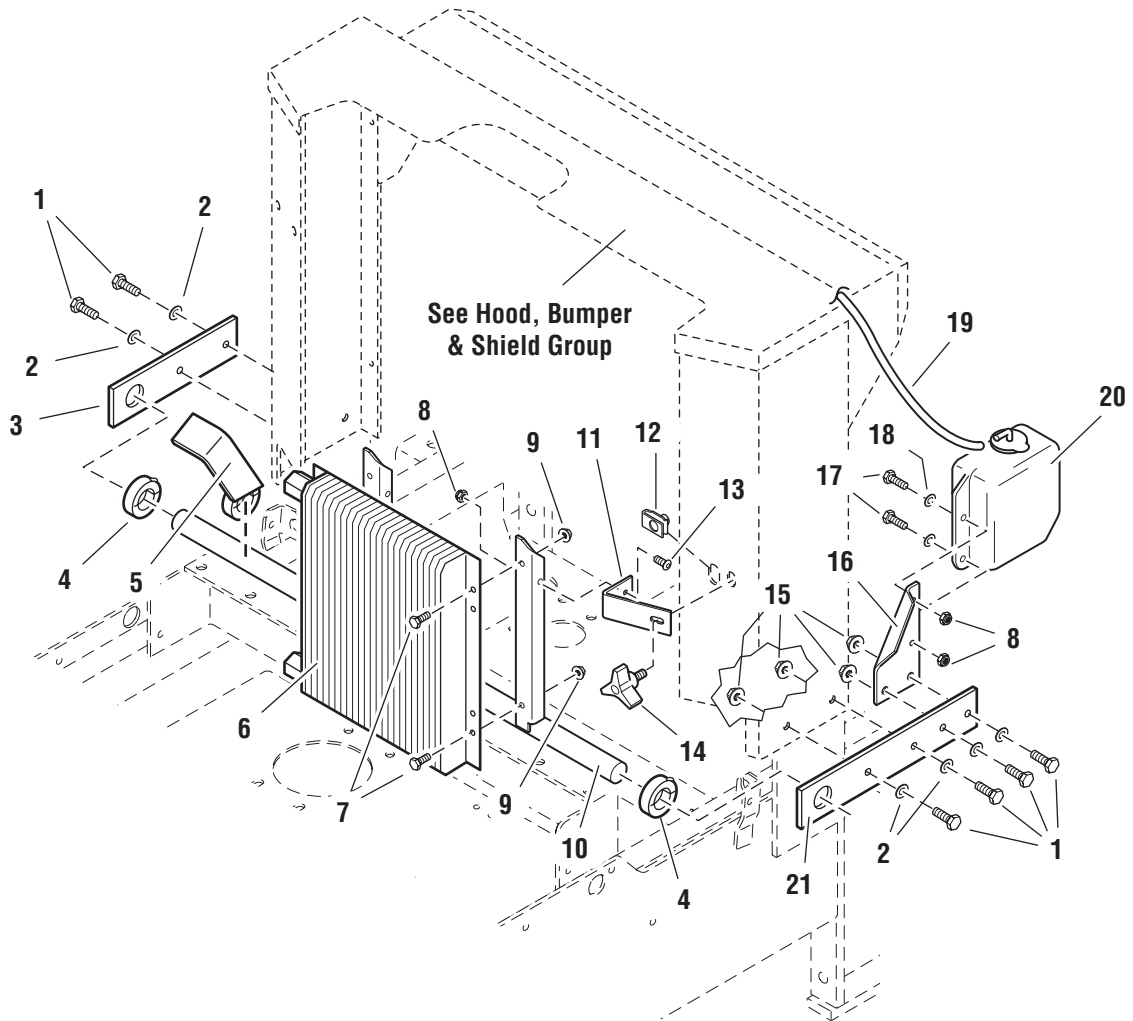
Footnotes:

The above parts group applies to the following Model Nos.:

IS5000Z/D34

Oil Cooler, Mount & Radiator Expansion Tank Group

NOTE: Unless noted otherwise,
use the standard hardware torque
specification chart.



The above parts group applies to the following Model Nos.:

IS5000Z/C31D (S/N: 410 & below)

Oil Cooler, Mount & Radiator Expansion Tank Group

REF NO.	PART NO.	QTY.	DESCRIPTION
1	25011-8	6	CAPSCREW, Hex Head, 5/16-18 x 1
2	25156	4	WASHER, 3/8
3	47564	1	OIL COOLER PIVOT PLATE
4	20602	2	COLLAR, Split, 1"
5	47547	1	SEAT MOUNT STOP
6	22377	1	OIL COOLER
7	25010-4	4	CAPSCREW, Hex Head, 1/4-20 x 1/2
8	25095	1	NUT, Hex Nylon Lock, 1/4-20
9	25156	4	NUT, Hex Serrated Flange, 1/4-20
10	47570	1	OIL COOLER MOUNT
11	47566	1	COOLER MOUNT ANCHOR
12	22308	1	BODY CLIP, 5/16-18
13	25299-6	1	SCREW, Allen Head, 1/4-20 x 3/4
14	22319	1	KNOB
15	25139	6	NUT, Hex Serrated Flange, 5/16-18
16	47739	1	TANK MOUNT BRACKET
17	25010-8	2	CAPSCREW, Hex Head, 1/4-20 x 1
18	25154	2	WASHER, 1/4
19	50923-36	1	HOSE, 36"
20	22883-34	1	EXPANSION TANK, Complete
*	22883-35	1	CAP
21	47738	1	OIL COOLER MOUNT PLATE-LH

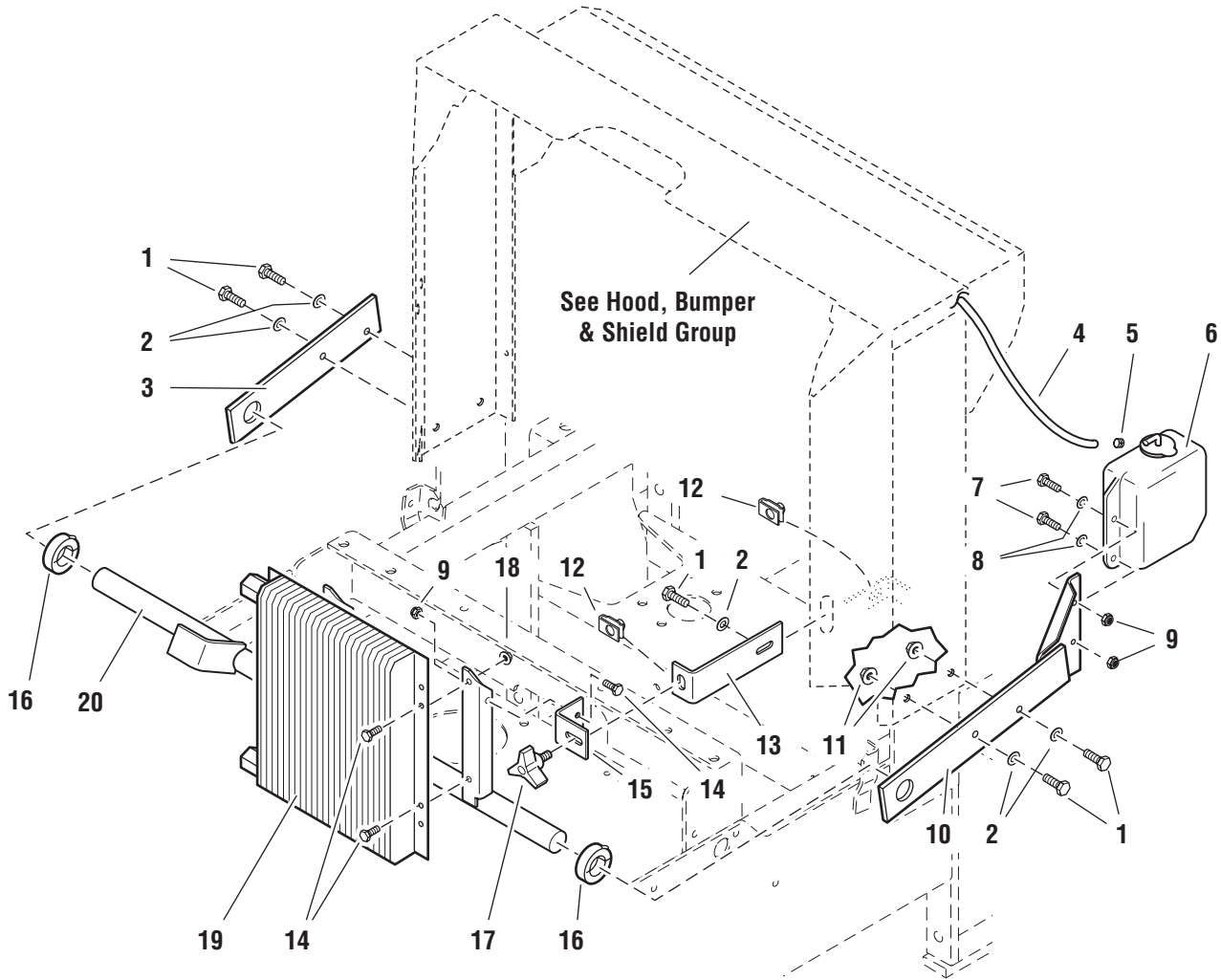
Footnotes:

The above parts group applies to the following Model Nos.:

IS5000Z/C31D (S/N: 410 & below)

Oil Cooler, Mount & Radiator Expansion Tank Group

NOTE: Unless noted otherwise,
use the standard hardware torque
specification chart.



The above parts group applies to the following Model Nos.:

IS5000Z/C31D (S/N: 411 & above)
IS5000Z/C31DCE
IS5000ZC31D61CE

Oil Cooler, Mount & Radiator Expansion Tank Group

REF NO.	PART NO.	QTY.	DESCRIPTION
1	25011-8	5	CAPSCREW, Hex Head, 5/16-18 x 1
2	25156	5	WASHER, 3/8
3	48577	1	OIL COOLER PIVOT PLATE
4	48582	1	OVERFLOW HOSE
5	20835	1	HOSE CLAMP
6	22883-34	1	EXPANSION TANK, Complete
*	22883-35	1	CAP
7	25010-8	2	CAPSCREW, Hex Head, 1/4-20 x 1
8	25154	2	WASHER, 1/4
9	25095	3	NUT, Hex Nylon Lock, 1/4-20
10	48570	1	OIL COOLER MOUNT PLATE-LH
11	25139	4	NUT, Hex Serrated Flange, 5/16-18
12	22308	2	BODY CLIP, 5/16-18
13	48580	1	COOLER PIVOT ANCHOR
14	25299-4	5	SCREW, Allen Head, 1/4-20 x 1/2
15	48581	1	COOLER LOCK BRACKET
16	20602	2	COLLAR, Split, 1"
17	22319	1	KNOB
18	25156	4	NUT, Hex Serrated Flange, 1/4-20
19	22377	1	OIL COOLER
20	48562	1	OIL COOLER MOUNT

Footnotes:

The above parts group applies to the following Model Nos.:

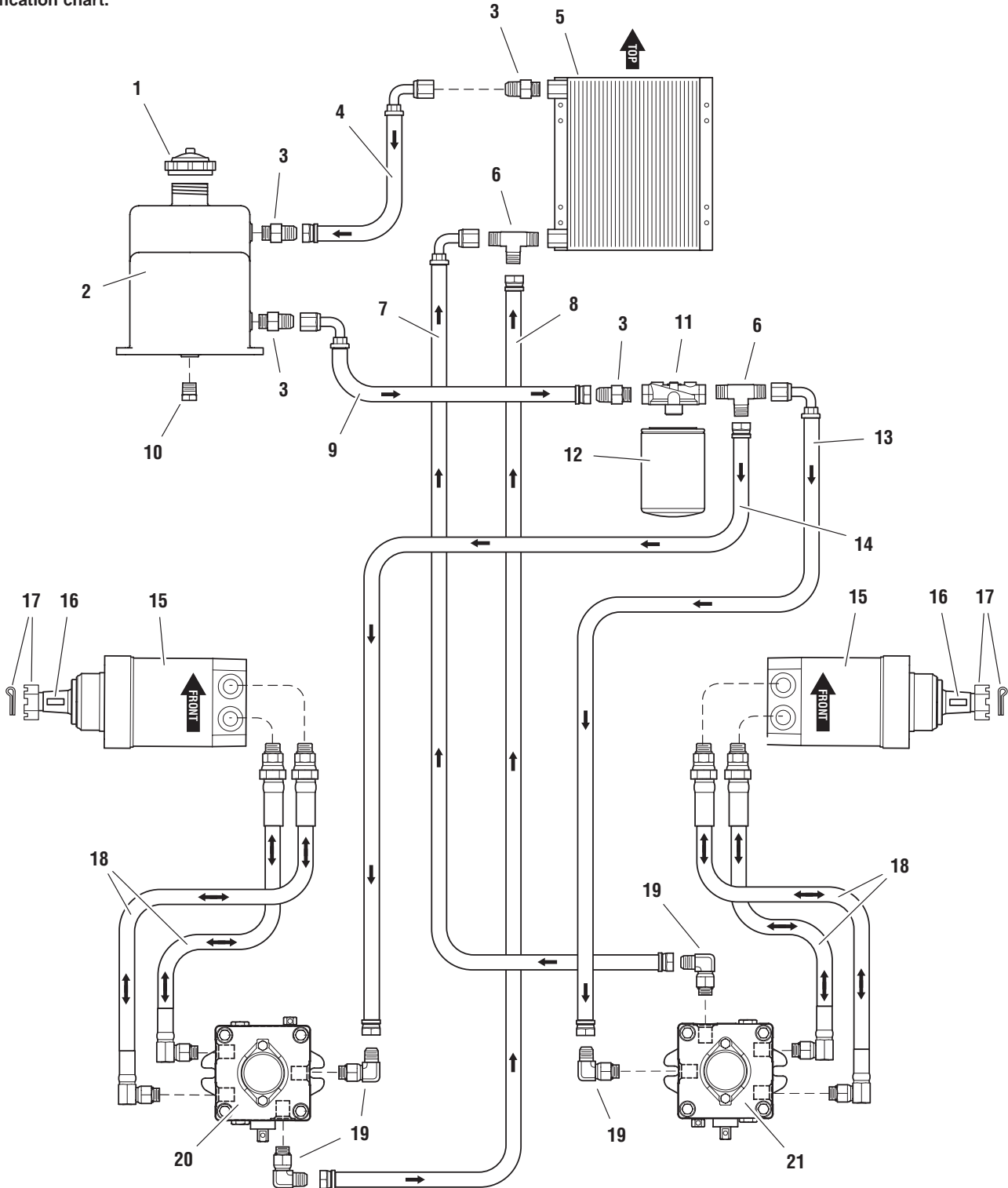
IS5000Z/C31D (S/N: 411 & above)

IS5000Z/C31DCE

IS5000ZC31D61CE

Hydraulic Group - Diesel

NOTE: Unless noted otherwise, use the standard hardware torque specification chart.



The above parts group applies to the following Model Nos.:

IS5000Z/C31D (S/N: 410 & below)

Hydraulic Group - Diesel

REF NO.	PART NO.	QTY.	DESCRIPTION
1	22437	1	CAP, Reservoir
2	45872	1	HYDRAULIC OIL RESERVOIR
3	22601	4	FITTING, NPT - JIC #8
4	47613	1	HOSE ASSEMBLY (28")
5	22377	1	OIL COOLER
6	22602	2	FITTING, TEE, JIC #8, NPT
7	47615	1	HOSE ASSEMBLY (31")
8	47614	1	HOSE ASSEMBLY (34")
9	47612	1	HOSE ASSEMBLY (9")
10	20986	1	PLUG, 1/2 NPT
11	21356	1	FILTER HEAD
12	21357	1	FILTER
13	47611	1	HOSE ASSEMBLY (24")
14	47610	1	HOSE ASSEMBLY (40")
15	22368	2	HYDRAULIC WHEEL MOTOR, Complete (includes Ref 16 & 17)
16	22042-2	2	KEY
17	22042-3	2	NUT & COTTER PIN
18	22914	4	HYDRAULIC HOSE ASSEMBLY
19	22599	4	HYDRAULIC FITTING, O-Ring, 90 Deg.
20	22375	1	HYDRAULIC PUMP - LH
21	22376	1	HYDRAULIC PUMP - RH

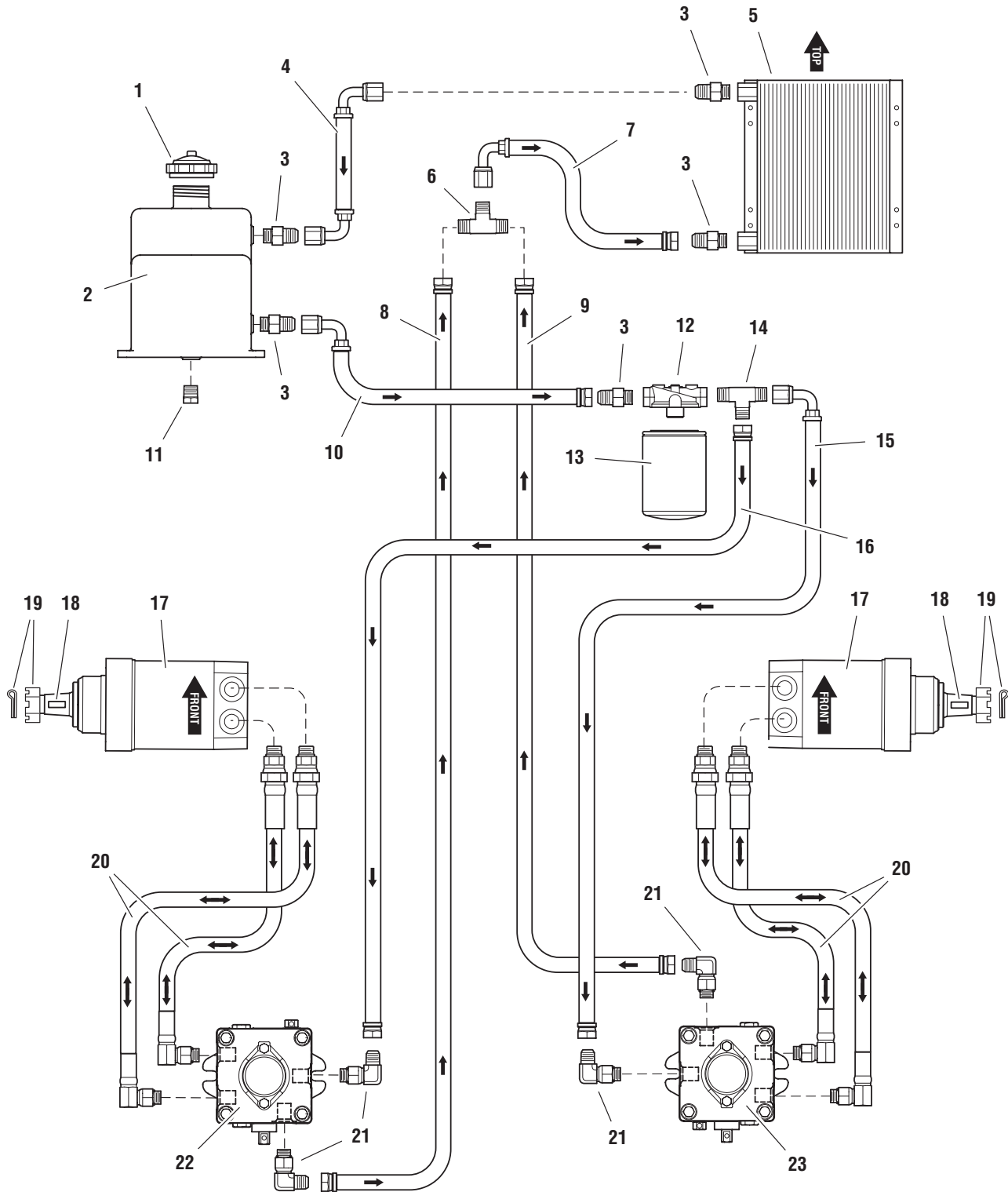
Footnotes:

The above parts group applies to the following Model Nos.:

IS5000Z/C31D (S/N: 410 & below)

Hydraulic Group - Diesel

NOTE: Unless noted otherwise,
use the standard hardware torque
specification chart.



The above parts group applies to the following Model Nos.:

- IS5000Z/C31D (S/N: 411 & above)
- IS5000Z/C31DCE
- IS5000ZC31D61CE

Hydraulic Group - Diesel

REF NO.	PART NO.	QTY.	DESCRIPTION
1	22437	1	CAP, Reservoir
2	45872	1	HYDRAULIC OIL RESERVOIR
3	22601	4	FITTING, NPT - JIC #8
4	48573	1	HOSE ASSEMBLY (24")
5	22377	1	OIL COOLER
6	22604	1	FITTING, TEE, JIC #8
7	48574	1	HOSE ASSEMBLY (13-1/2")
8	48576	1	HOSE ASSEMBLY (25")
9	48575	1	HOSE ASSEMBLY (29")
10	47612	1	HOSE ASSEMBLY (9")
11	20986	1	PLUG, 1/2 NPT
12	21356	1	FILTER HEAD
13	21357	1	FILTER
14	22602	1	FITTING, TEE, JIC #8, NPT
15	47611	1	HOSE ASSEMBLY (24")
16	47610	1	HOSE ASSEMBLY (40")
17	22368	2	HYDRAULIC WHEEL MOTOR, Complete (includes Ref 18 & 19)
18	22042-2	2	KEY
19	22042-3	2	NUT & COTTER PIN
20	22914	4	HYDRAULIC HOSE ASSEMBLY
21	22599	4	HYDRAULIC FITTING, O-Ring, 90 Deg.
22	22375	1	HYDRAULIC PUMP - LH
23	22376	1	HYDRAULIC PUMP - RH

Footnotes:

The above parts group applies to the following Model Nos.:

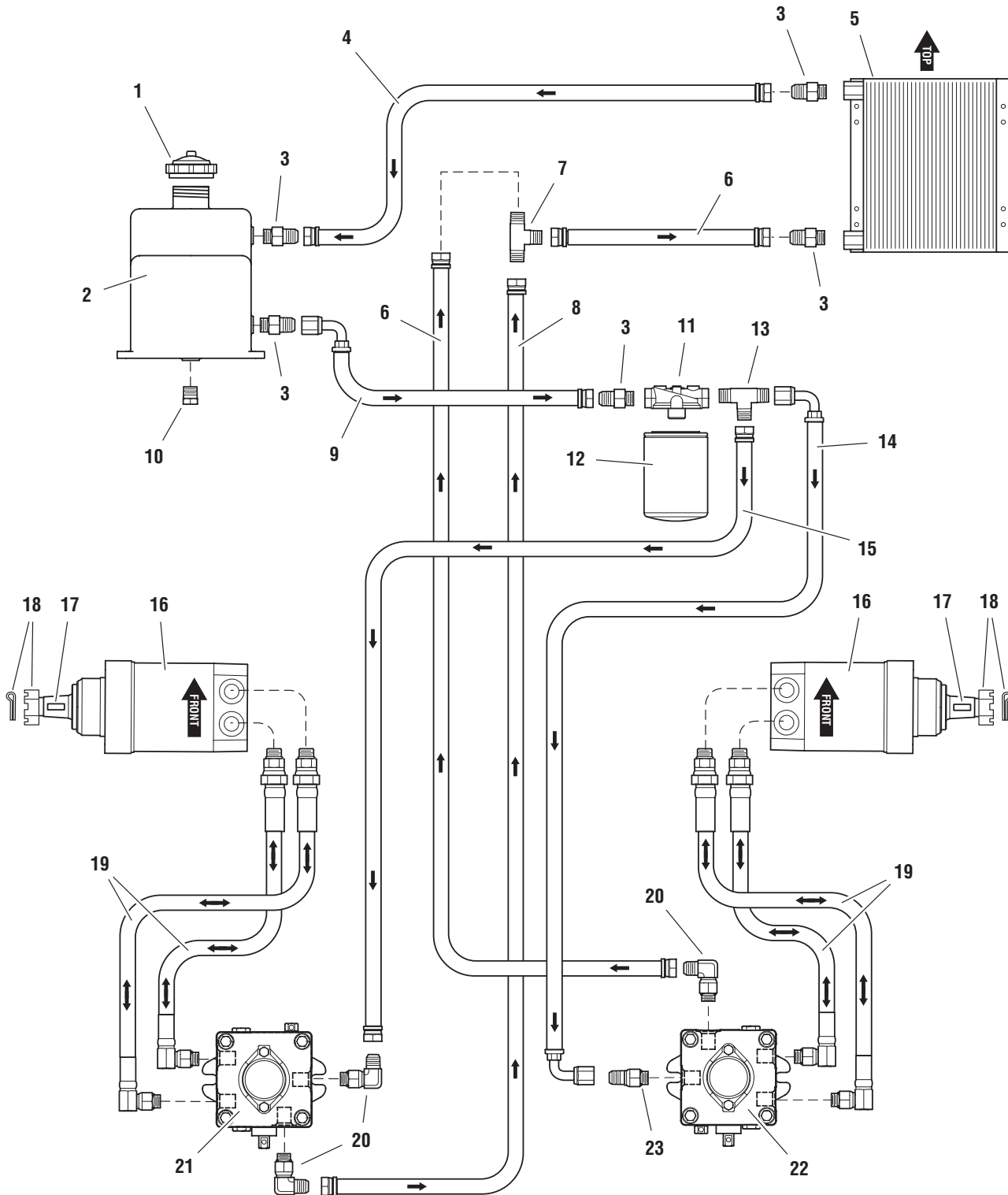
IS5000Z/C31D (S/N: 411 & above)

IS5000Z/C31DCE

IS5000ZC31D61CE

Hydraulic Group - Gas

NOTE: Unless noted otherwise,
use the standard hardware torque
specification chart.



The above parts group applies to the following Model Nos.:
IS5000Z/D34

Hydraulic Group - Gas

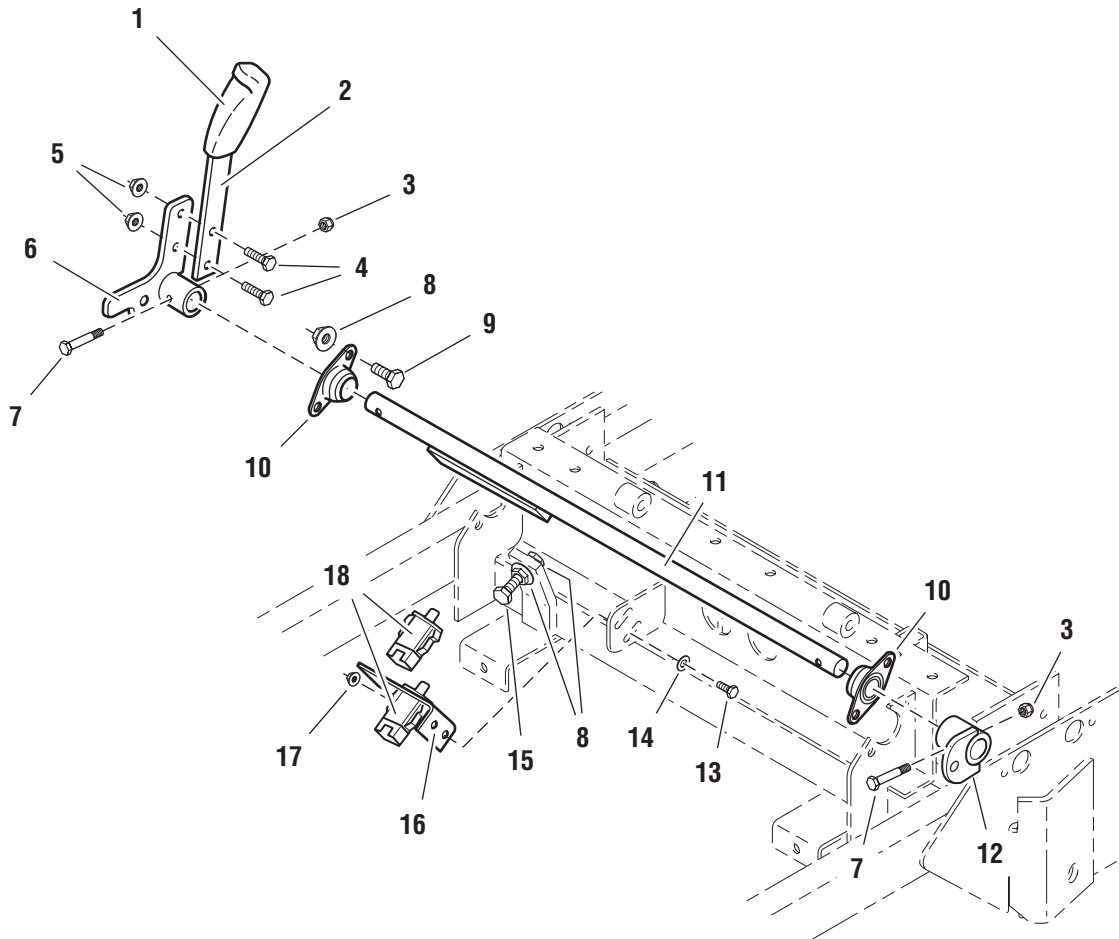
REF NO.	PART NO.	QTY.	DESCRIPTION
1	22437	1	CAP, Reservoir
2	45872	1	HYDRAULIC OIL RESERVOIR
3	22601	4	FITTING, NPT - JIC #8
4	47978	1	HOSE ASSEMBLY (58")
5	22377	1	OIL COOLER
6	47977	2	HOSE ASSEMBLY (36")
7	22604	1	FITTING, TEE, JIC #8
8	47960	1	HOSE ASSEMBLY (15")
9	47612	1	HOSE ASSEMBLY (9")
10	20986	1	PLUG, 1/2 NPT
11	21356	1	FILTER HEAD
12	21357	1	FILTER
13	22602	1	FITTING, TEE, JIC #8, NPT
14	47971	1	HOSE ASSEMBLY (30")
15	47610	1	HOSE ASSEMBLY (40")
16	22368	2	HYDRAULIC WHEEL MOTOR, Complete (includes Ref 17 & 18)
17	22042-2	2	KEY
18	22042-3	2	NUT & COTTER PIN
19	22914	4	HYDRAULIC HOSE ASSEMBLY
20	22599	3	HYDRAULIC FITTING, O-Ring, 90 Deg.
21	22375	1	HYDRAULIC PUMP - LH
22	22376	1	HYDRAULIC PUMP - RH
23	22633	1	HYDRAULIC FITTING, O-Ring, Str.

Footnotes:

The above parts group applies to the following Model Nos.:
IS5000Z/D34

Parking Brake Group - Upper

NOTE: Unless noted otherwise,
use the standard hardware torque
specification chart.



The above parts group applies to the following Model Nos.:

IS5000Z/C31D

IS5000Z/D34

IS5000Z/C31DCE

IS5000ZC31D61CE

Parking Brake Group - Upper

REF NO.	PART NO.	QTY.	DESCRIPTION
1	1722302	1	GRIP
2	45619	1	BRAKE HANDLE
3	25095	2	NUT, Hex Nylon Lock, 1/4-20
4	25011-8	2	CAPSCREW, Hex Head, 5/16-18 x 1
5	25127	2	NUT, Hex Serrated Flange, 5/16-18
6	45616	1	BRAKE HANDLE MOUNT
7	25010-14	2	CAPSCREW, Hex Head, 1/4-20 x 1-3/4
8	25128	6	NUT, Hex Serrated Flange, 3/8-16
9	25013-6	4	CAPSCREW, Hex Head, 3/8-16 x 3/4
10	21098	2	BEARING, Flange
11	45610	1	BRAKE HANDLE SHAFT
12	45618	1	BRAKE LINKAGE PIVOT
13	25010-6	2	CAPSCREW, Hex Head, 1/4-20 x 3/4
14	25154	2	WASHER, 1/4
15	25058-14	1	CAPSCREW, Hex Head, 3/8-16 x 1-3/4 TFL
16	45621	1	SWITCH MOUNT BRACKET
17	25126	2	NUT, Hex Serrated Flange, 1/4-20
18	*	*	SWITCH (see electrical schematics)

Footnotes:

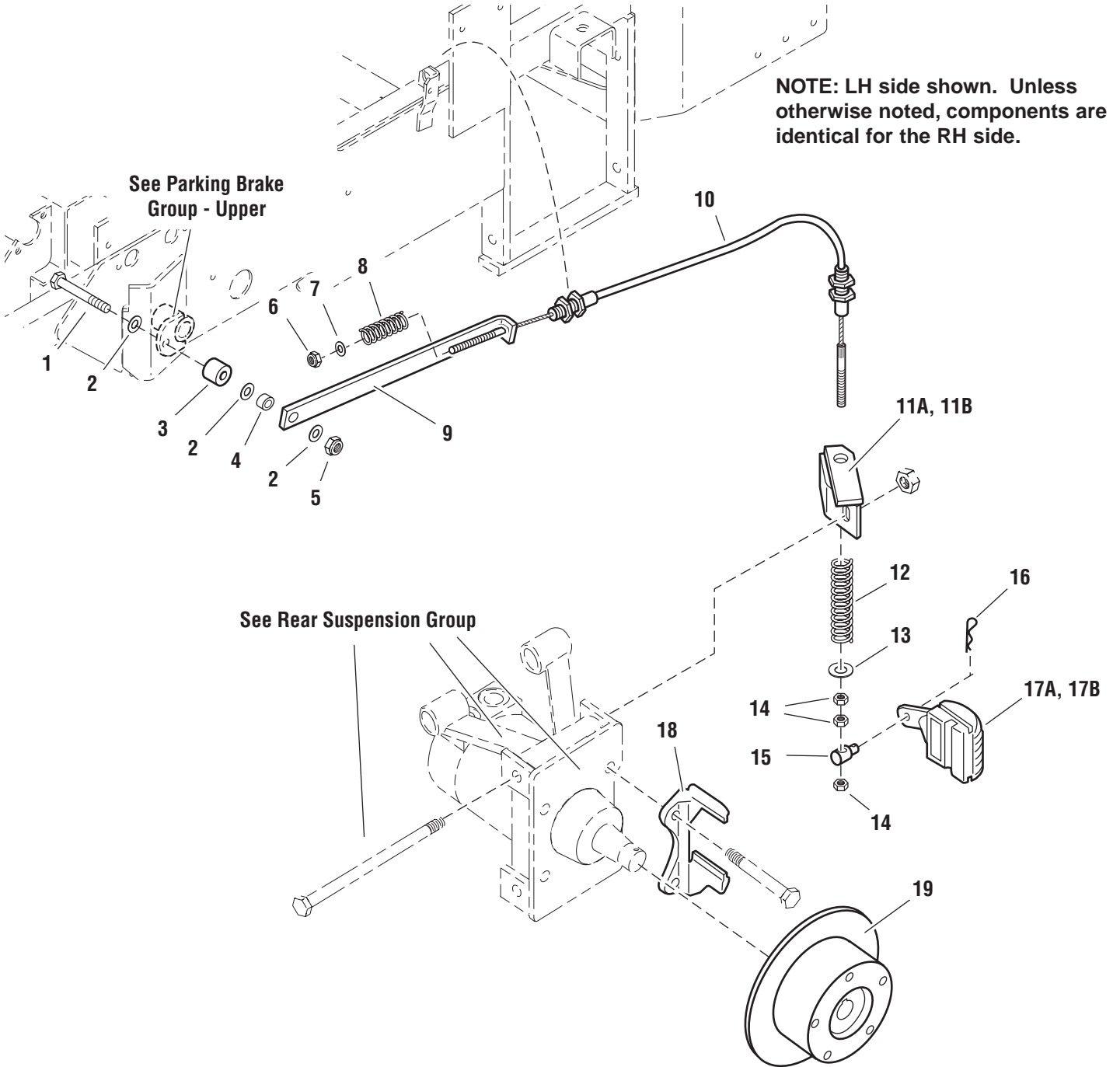
* - See Electrical Schematic for switch part number

The above parts group applies to the following Model Nos.:

IS5000Z/C31D IS5000Z/D34
IS5000Z/C31DCE
IS5000ZC31D61CE

Parking Brake Group - Lower

NOTE: Unless noted otherwise, use the standard hardware torque specification chart.



The above parts group applies to the following Model Nos.:

- IS5000Z/C31D
- IS5000Z/D34
- IS5000Z/C31DCE
- IS5000ZC31D61CE

Parking brake Group - Lower

REF NO.	PART NO.	QTY.	DESCRIPTION
1	25013-18	2	CAPSCREW, Hex Head, 3/8-16 x 2-1/4
2	25156	6	WASHER, 3/8
3	47125	2	SPACER, .39 x 1.00 x .88
4	41930	2	SPACER, .38 x .50 x .27
5	25096	2	NUT, Hex Nylon Lock, 3/8-16
6	25045	2	NUT, Hex Nylon Lock, 5/16-24
7	25155	2	WASHER, 5/16
8	22361	2	SPRING, Compression
9	47382	2	LINK, Brake Lock
10	22209	2	CABLE, Brake
11A	45604	1	BRACKET, Cable Mount-LH
11B	45605	1	BRACKET, Cable Mount-RH (not shown)
12	21494	2	SPRING, Compression
13	25164	2	WASHER, Fender, 5/16
14	25033	6	NUT, Hex, 5/16-24
15	45947	2	ADJUSTER, Brake Linkage
16	25211	2	HAIRPIN CLIP
17A	23179	1	BRAKE CALIPER, LH
17B	23180	1	BRAKE CALIPER, RH (not shown)
18	22340	2	MOUNT, Brake Caliper
19	22339	2	HUB, 8" Brake Disc

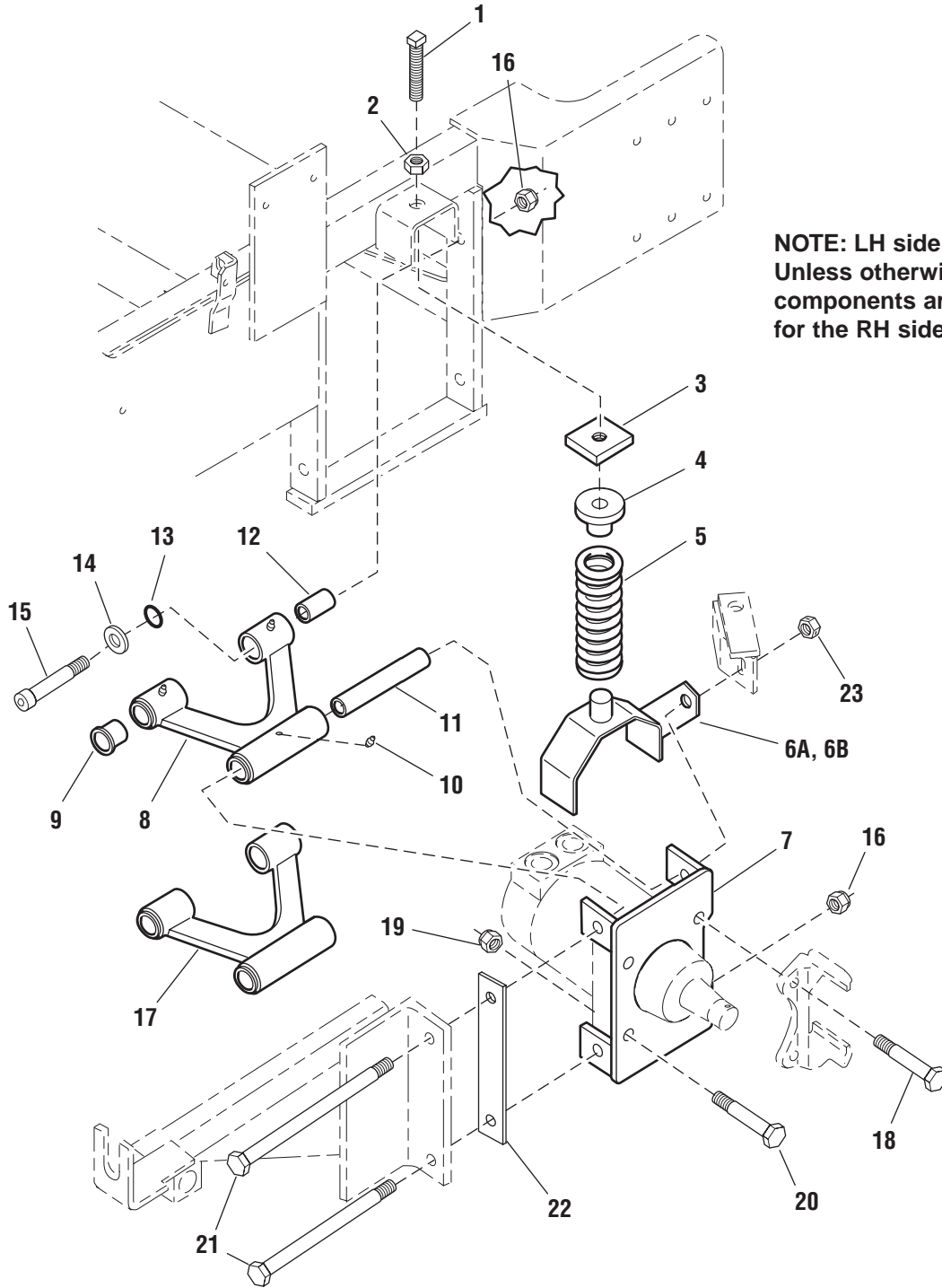
Footnotes:

The above parts group applies to the following Model Nos.:

IS5000Z/C31D IS5000Z/D34
IS5000Z/C31DCE
IS5000ZC31D61CE

Rear Suspension Group

NOTE: Unless noted otherwise, use the standard hardware torque specification chart.



NOTE: LH side shown.
Unless otherwise noted,
components are identical
for the RH side.

The above parts group applies to the following Model Nos.:

- IS5000Z/C31D IS5000Z/D34
- IS5000Z/C31DCE
- IS5000ZC31D61CE

Rear Suspension Group

REF NO.	PART NO.	QTY.	DESCRIPTION
1	25298	2	SET SCREW, Square Hd, 1/2-13 x 3
2	25301	2	NUT, Hex, Jam, 1/2-13
3	45904	2	SPRING COMPRESSION PLATE
4	45898	2	SPRING RETAINER
5	22323	2	SPRING, Suspension
6A	45601	1	SPRING SADDLE-LH
6B	45602	1	SPRING SADDLE-RH (not shown)
7	45588	2	WHEEL MOTOR MOUNT
8	61038	2	SUSPENSION A-ARM, Upper, Complete (includes Ref No. 9 & 10)
9	22250	16	BUSHING, Flange
10	20095	12	GREASE FITTING
11	45305	4	PIVOT SLEEVE, Long
12	45306	8	PIVOT SLEEVE, Short
13	22269	8	O-RING
14	45307	8	WASHER, A-Arm
15	25294	8	CAPSCREW, Allen Head, 1/2-13 x 3
16	25056	10	NUT, Hex Nylon Lock, 1/2-13
17	46857	2	SUSPENSION A-ARM, Lower, Complete (includes Ref No. 9 & 10)
18	25018-24	4	CAPSCREW, Hex Head, 1/2-20 x 3
19	25098	8	NUT, Hex Nylon Lock, 1/2-20
20	25018-20	4	CAPSCREW, Hex Head, 1/2-20 x 2-1/2
21	25017-52	4	CAPSCREW, Hex Head, 1/2-13 x 6-1/2
22	46059	2	SPACER PLATE
23	25332	2	NUT, Hex, Side Lock, 1/2-13

Footnotes:

The above parts group applies to the following Model Nos.:

IS5000Z/C31D

IS5000Z/D34

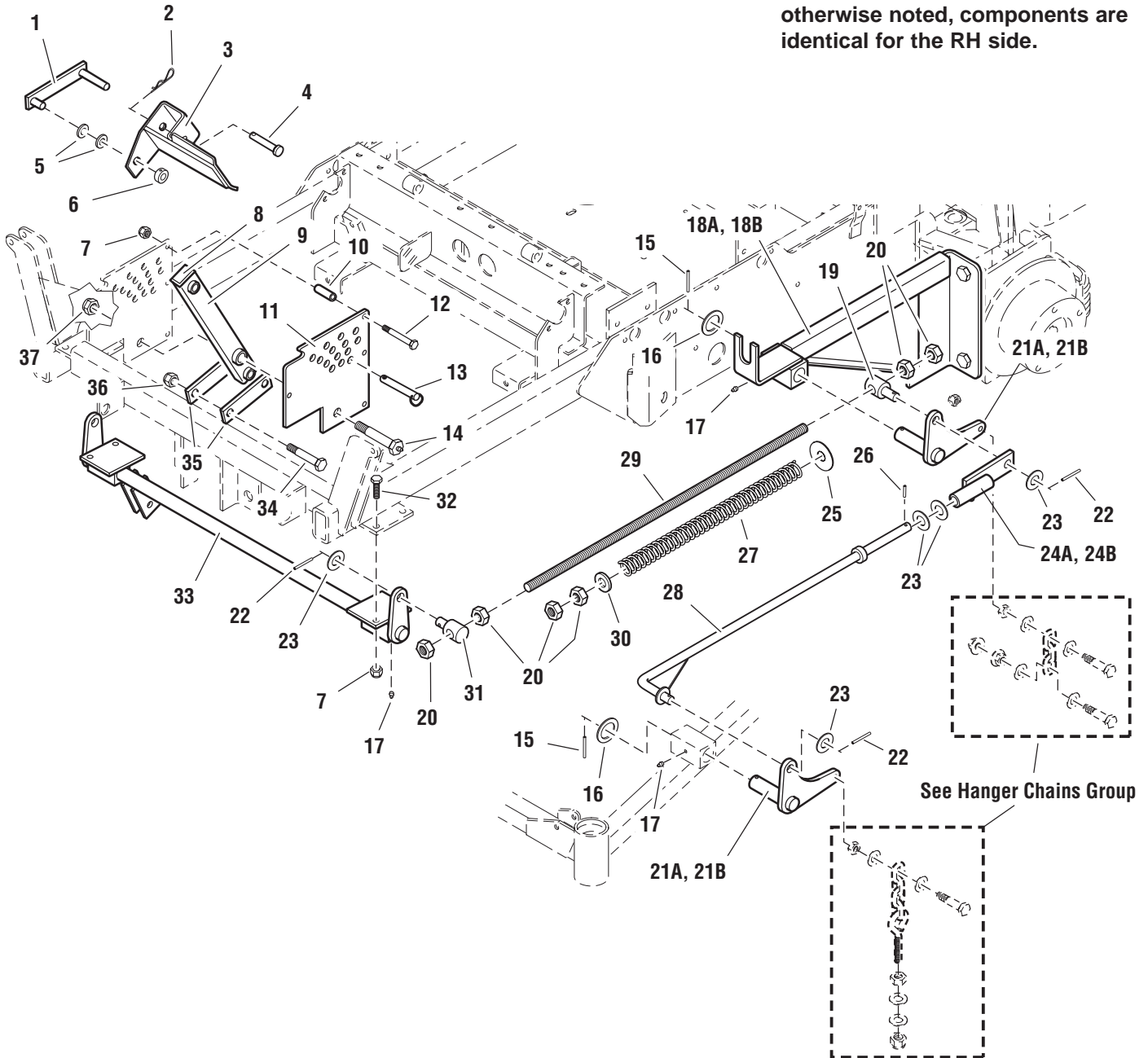
IS5000Z/C31DCE

IS5000ZC31D61CE

Mower Deck Lift Group

NOTE: Unless noted otherwise, use the standard hardware torque specification chart.

NOTE: LH side shown. Unless otherwise noted, components are identical for the RH side.



The above parts group applies to the following Model Nos.:

- IS5000Z/C31D
- IS5000Z/D34
- IS5000Z/C31DCE
- IS5000ZC31D61CE

Mower Deck Lift Group

REF NO.	PART NO.	QTY.	DESCRIPTION
1	44999	1	DECK LIFT LOCK
2	25210	1	HAIRPIN CLIP
3	45058	1	DECK LIFT PEDAL
*	44875	1	SAFETY WALK
4	22044	1	PIN, Clevis, 1/2 x 2-1/2
5	25158	6	WASHER, 1/2
6	23241	1	COLLAR, Split, 1/2
7	25096	12	NUT, Hex Nylon Lock, 3/8-16
8	22097	1	CAP
9	44987	1	DECK LIFT PIVOT ARM
10	44992	4	SPACER, .38 x .50 x 1.56
11	45379	1	DECK HEIGHT PLATE
*	22063	1	DECAL, Deck Height
12	25013-22	4	CAPSCREW, Hex Head, 3/8-16 x 2-3/4
13	23082	1	PIN, 1/2 x 3-1/2 w/ Lanyard
14	44993	1	LIFT PIVOT BOLT
15	25516	4	PIN, Roll, 3/16 x 1-1/2
16	21253	4	SHIM WASHER
17	20095	6	GREASE FITTING
18A	45684	1	REAR DECK LIFT FRAME - LH
18B	45685	1	REAR DECK LIFT FRAME - RH (not shown)
19	47404	2	SPRING ROD PIVOT
20	25040	12	NUT, Hex, 5/8-11
21A	45449	2	DECK LIFT PIVOT - LH
21B	45450	2	DECK LIFT PIVOT - RH (not shown)
22	22366	6	PIN, Spring, 3/16 x 1-1/4
23	25281	10	WASHER, 5/8
24A	47522	1	DECK LIFT LINK - LH
24B	47523	1	DECK LIFT LINK - RH (not shown)
25	25159	2	WASHER, USS, 5/8
26	25316	2	PIN, Roll, 3/16 x 3/4
27	22333	2	SPRING, Deck Lift
28	47543	2	DECK LIFT ROD
29	47413	2	SPRING ROD
30	41477	2	SPACER, .63 x 1.06 x .23
31	45856	2	SPRING ROD PIVOT
32	25013-10	4	CAPSCREW, Hex Head, 3/8-16
33	47441	1	DECK LIFT SHAFT & MOUNT ASSEMBLY
34	25018-24	2	CAPSCREW, Hex Head, 1/2-20 x 3
35	44994	2	DECK LIFT LINK
36	25098	2	NUT, Hex Nylon Lock, 1/2-20
37	25282	1	NUT, Hex, Jam, Nylon Lock, 5/8-11

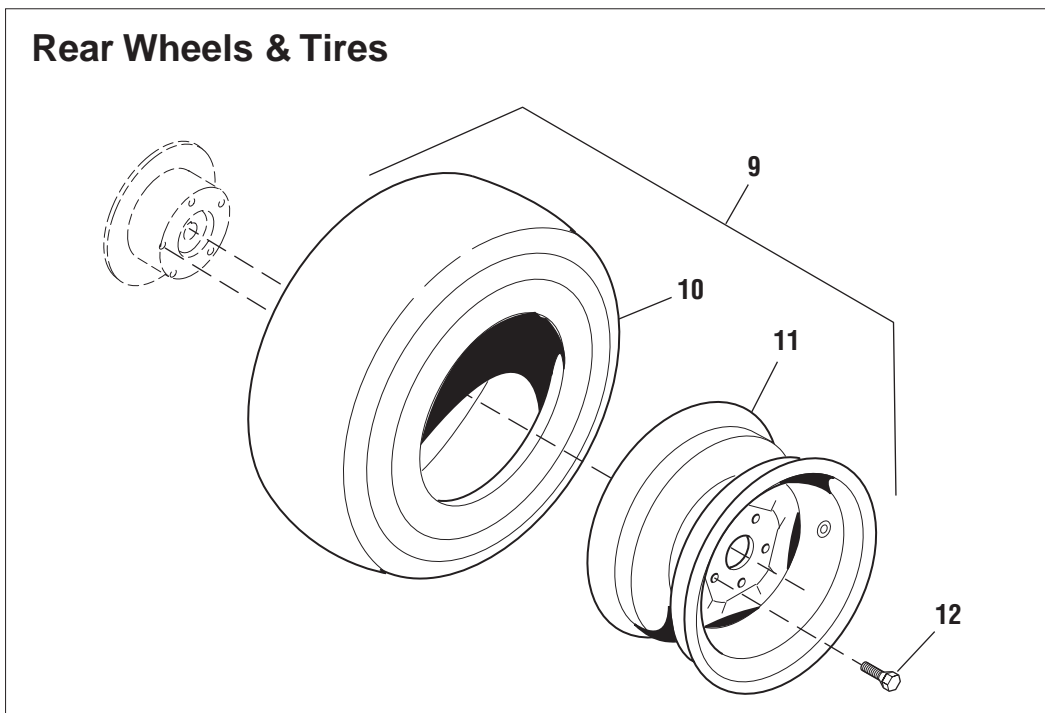
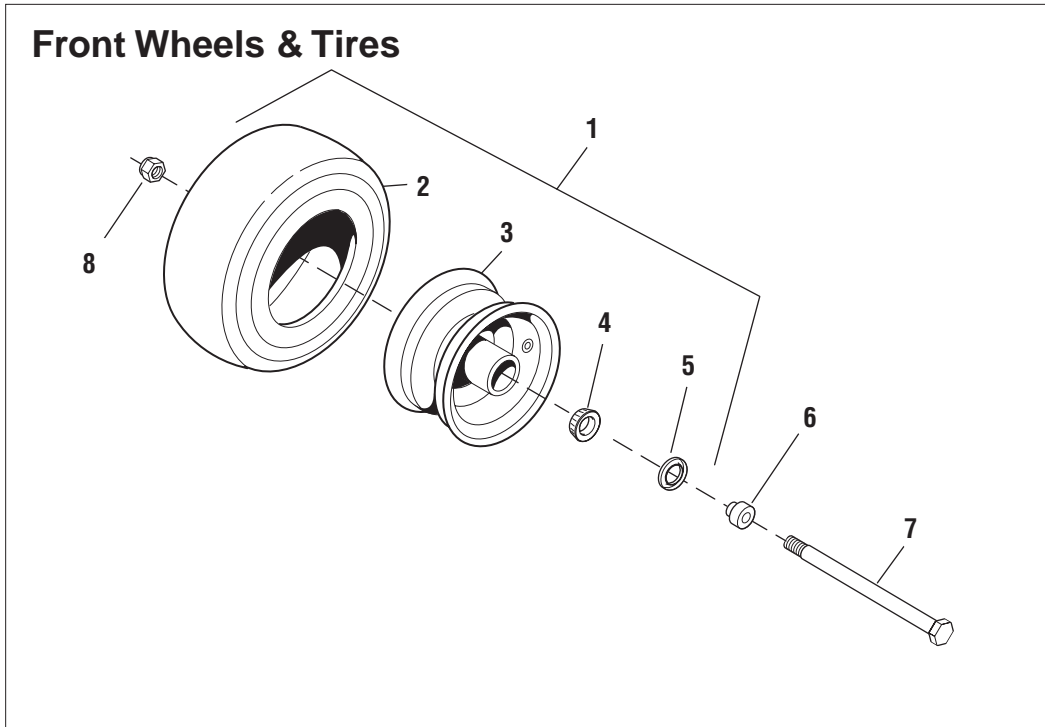
Footnotes:

The above parts group applies to the following Model Nos.:

IS5000Z/C31D IS5000Z/D34
 IS5000Z/C31DCE
 IS5000ZC31D61CE

Wheels & Tires Group

NOTE: Unless noted otherwise,
use the standard hardware torque
specification chart.



The above parts group applies to the following Model Nos.:

IS5000Z/C31D

IS5000Z/D34

IS5000Z/C31DCE

IS5000ZC31D61CE

Wheels & Tires Group

REF NO.	PART NO.	QTY.	DESCRIPTION
1	23136	2	WHEEL & TIRE ASSEMBLY, Front, 13 x 6.5 x 6, Complete (includes Ref 2-5)
2	22577	2	TIRE, Front, 13 x 6.5 x 6
3	23136-1	2	WHEEL ASSEMBLY, Front, Complete (includes Ref 4 & 5)
4	22631S-2	4	BEARING, Taper Roller (2 per tire)
5	22631S-3	4	GREASE SEAL (2 per tire)
6	47103	4	ADAPTER, Caster Wheel (2 per tire)r
7	25017-68	2	CAPSCREW, Hex Head, 1/2-13 x 8-1/2
8	25056	2	NUT, Hex Nylon Lock, 1/2-13
9	23152	2	WHEEL & TIRE ASSEMBLY, Rear, 26 x 12 x 12, Complete (includes Ref 10 & 11)
10	23152-1	2	TIRE, Rear, 26 x 12 x 12
11	23152-2	2	WHEEL ASSEMBLY, Rear, for 26 x 12 x 12 Tires
12	22215	10	WHEEL LUG, 1/2 x 1-5/8

Footnotes:

The above parts group applies to the following Model Nos.:

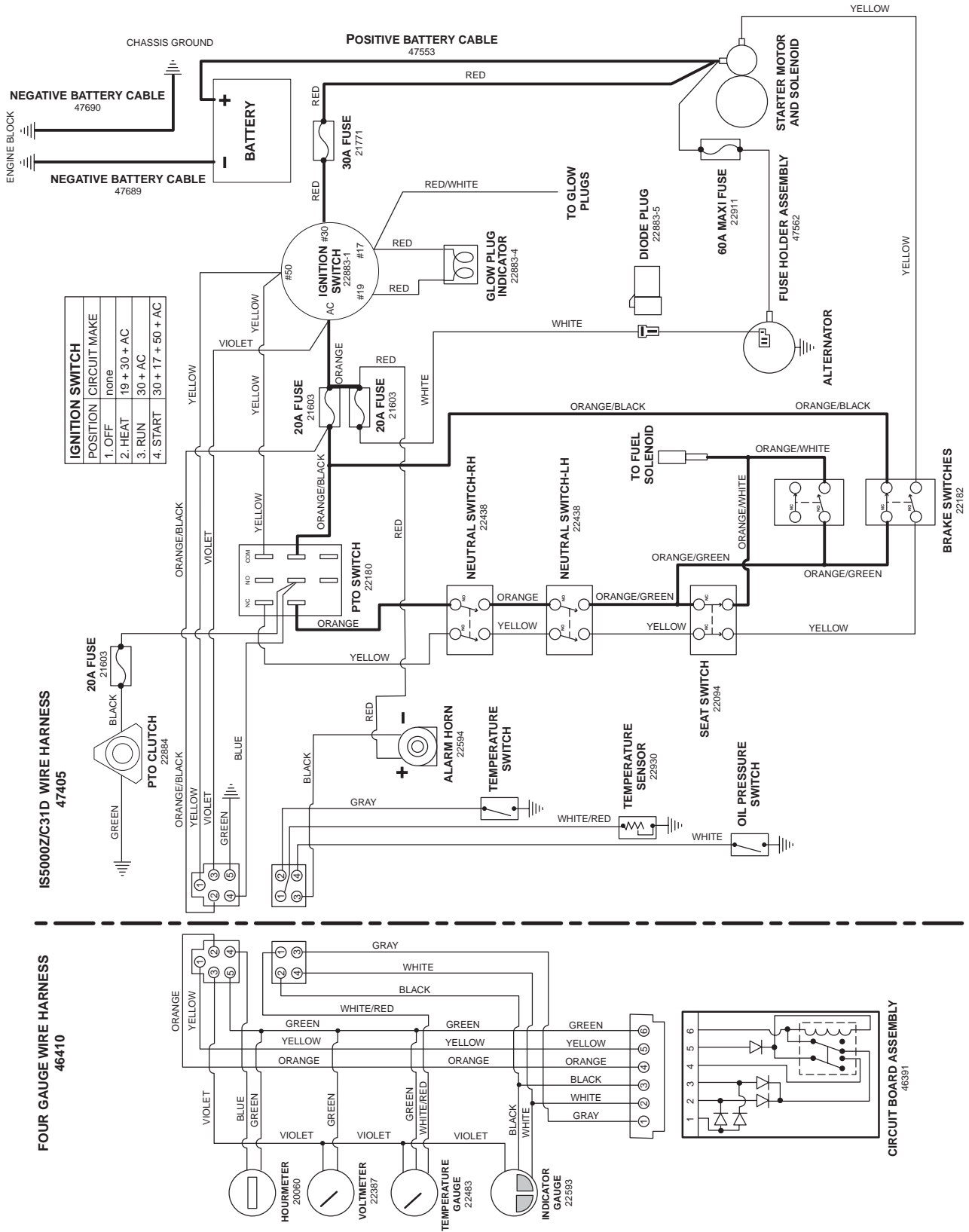
IS5000Z/C31D

IS5000Z/D34

IS5000Z/C31DCE

IS5000ZC31D61CE

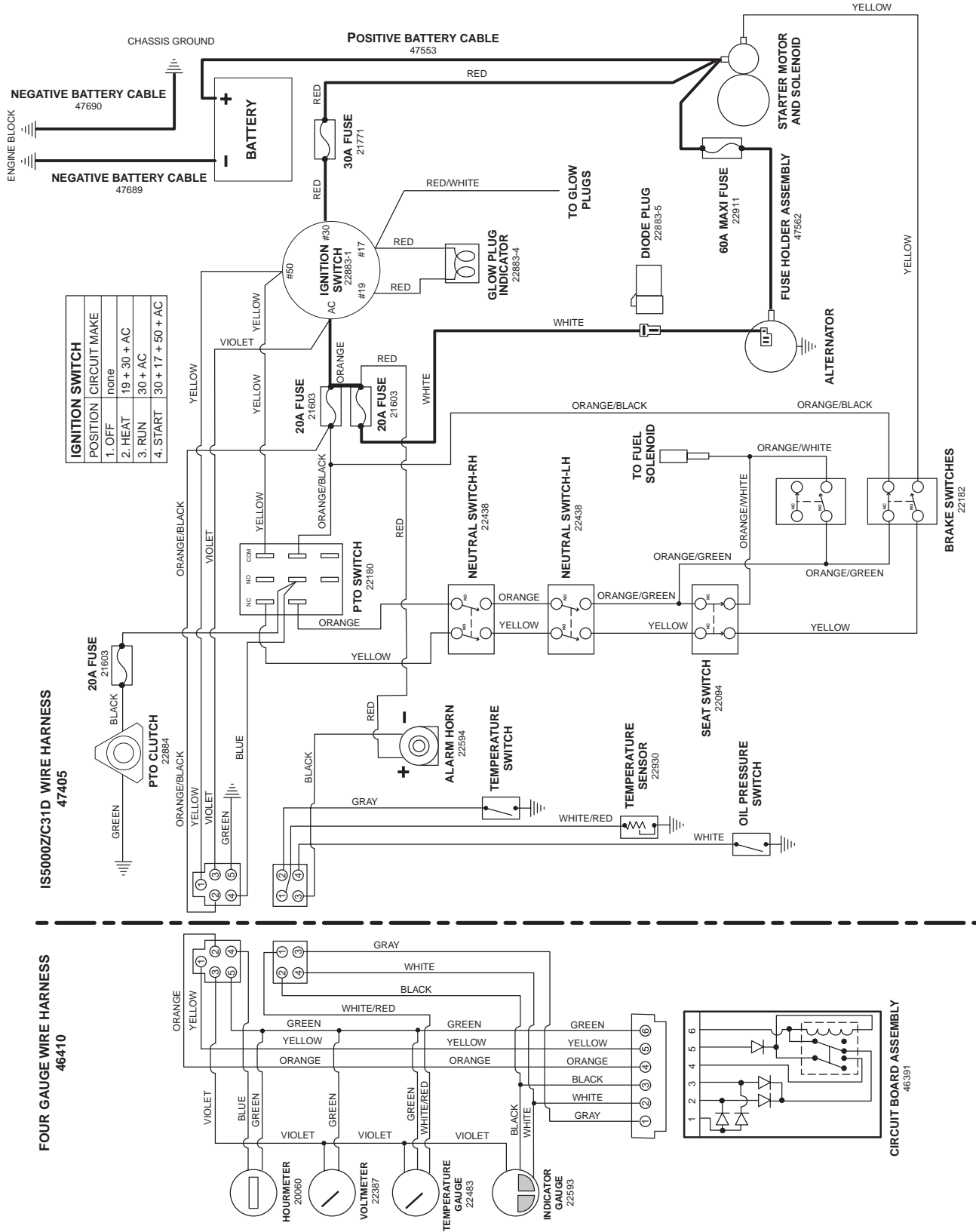
Operator Presence/Safety Circuit



The above parts group applies to the following Model Nos.:

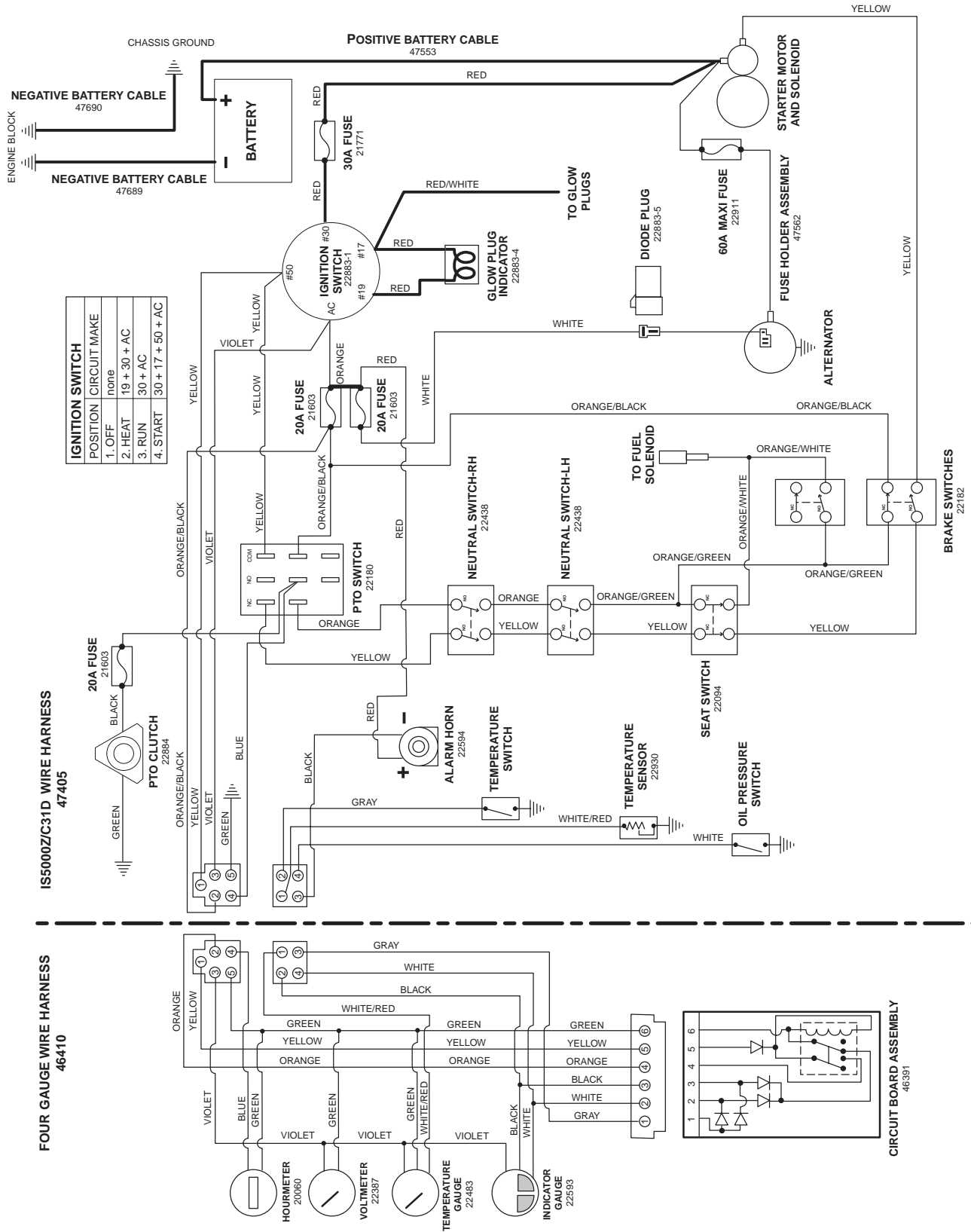
IS5000Z/C31D (S/N: 410 & below)

Charging Circuit



The above parts group applies to the following Model Nos.:
IS5000Z/C31D (S/N: 410 & below)

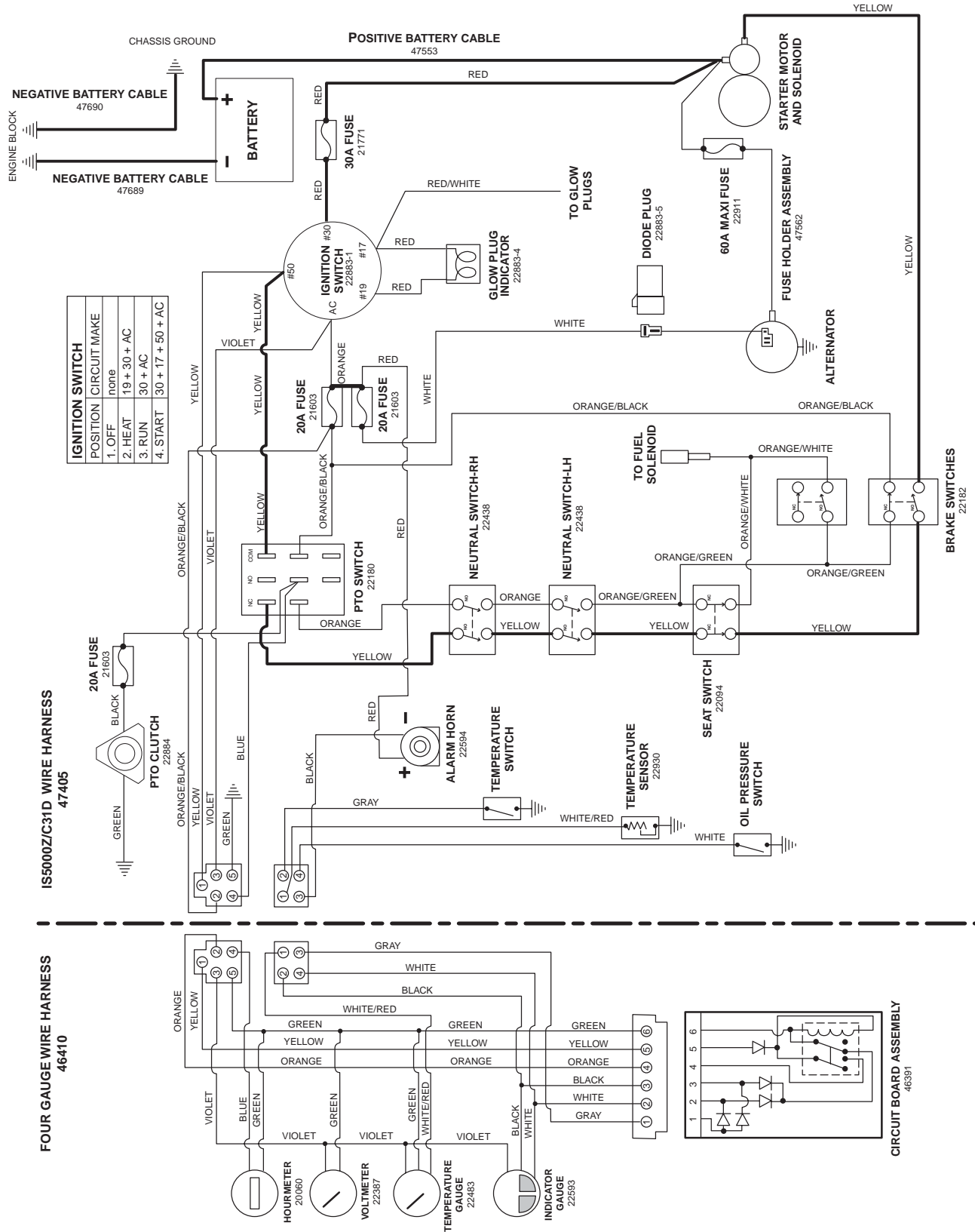
Glow Plug Heat Circuit



The above parts group applies to the following Model Nos.:

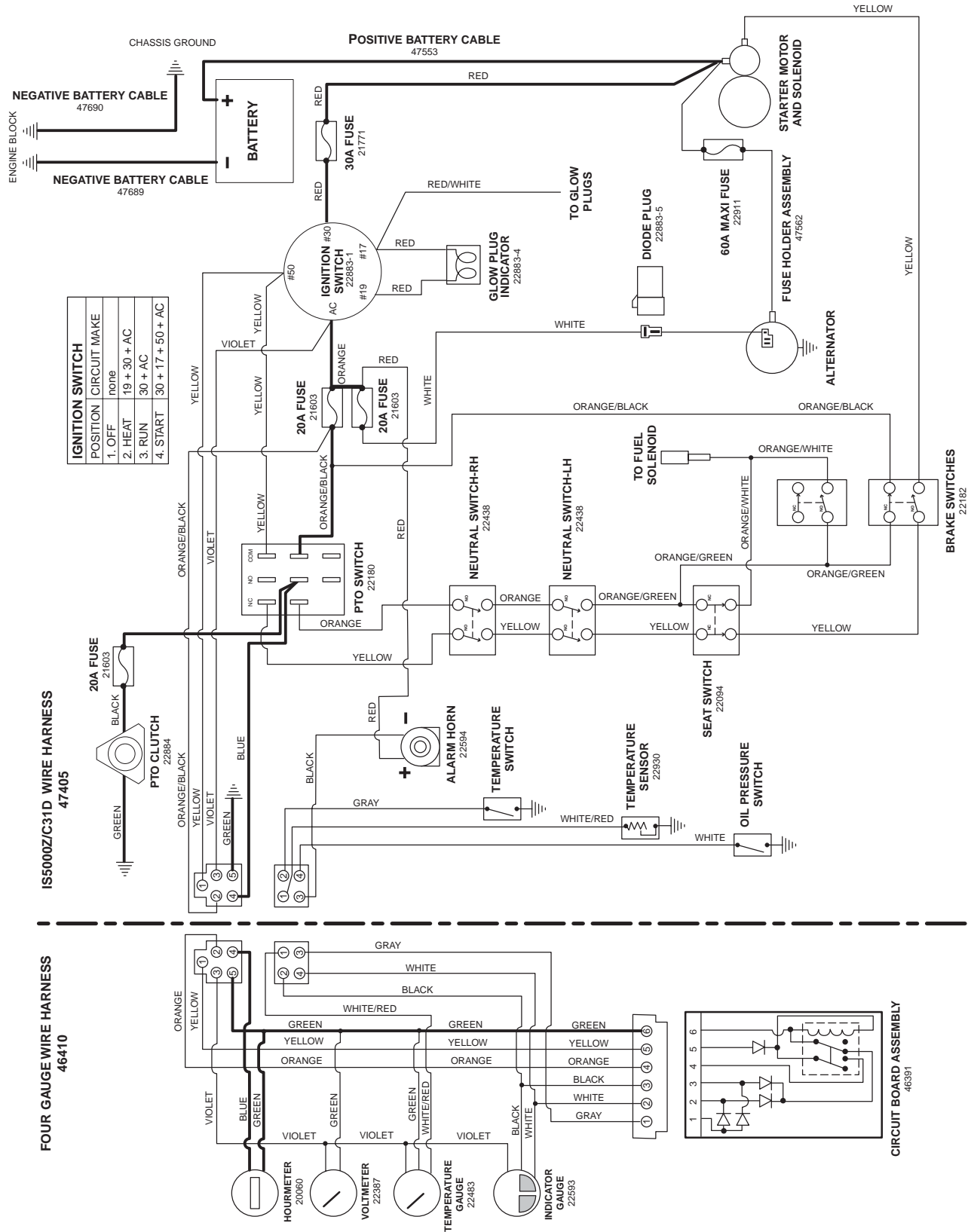
IS5000Z/C31D (S/N: 410 & below)

Cranking Circuit



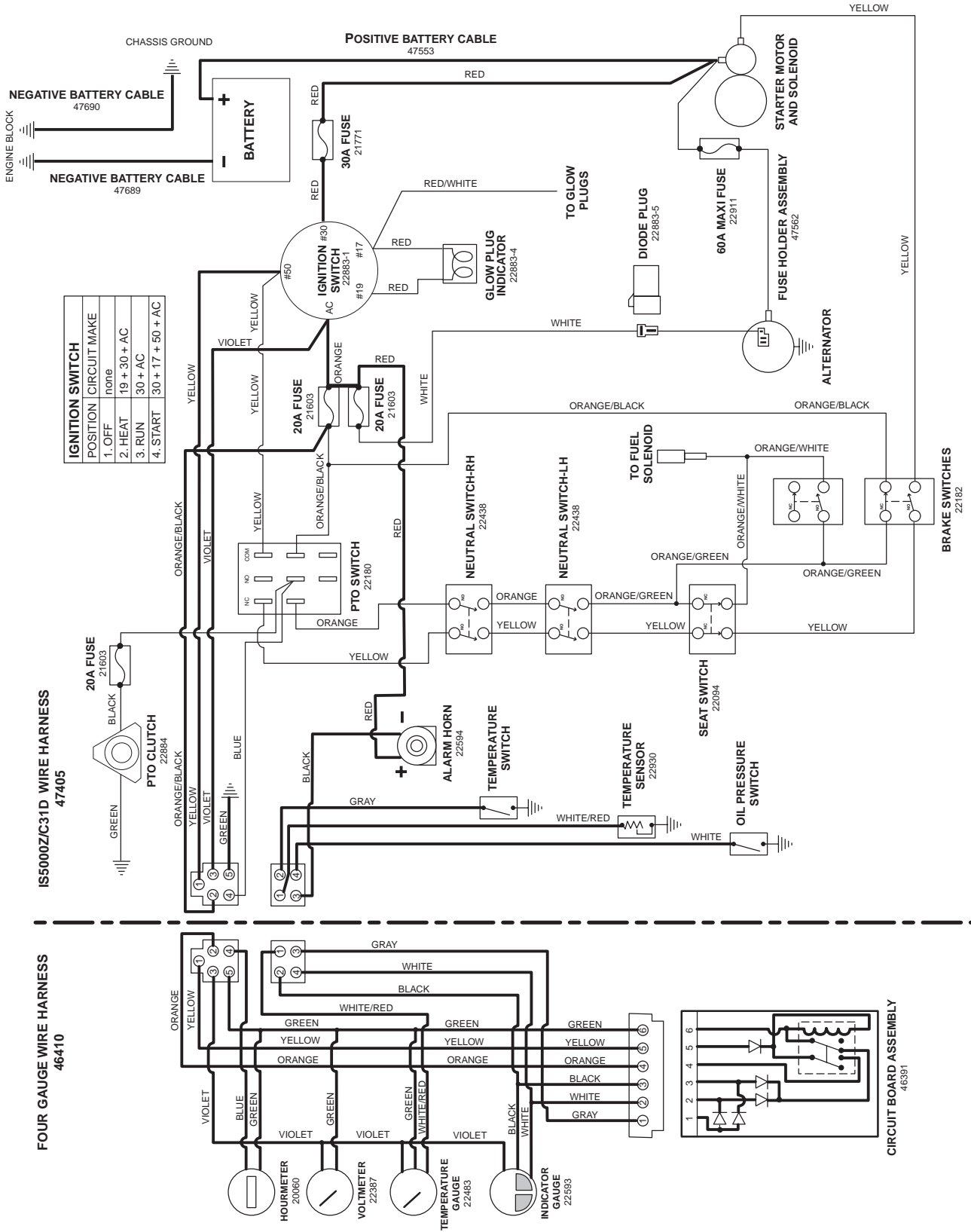
The above parts group applies to the following Model Nos.:
IS5000Z/C31D (S/N: 410 & below)

PTO & Hourmeter Circuit



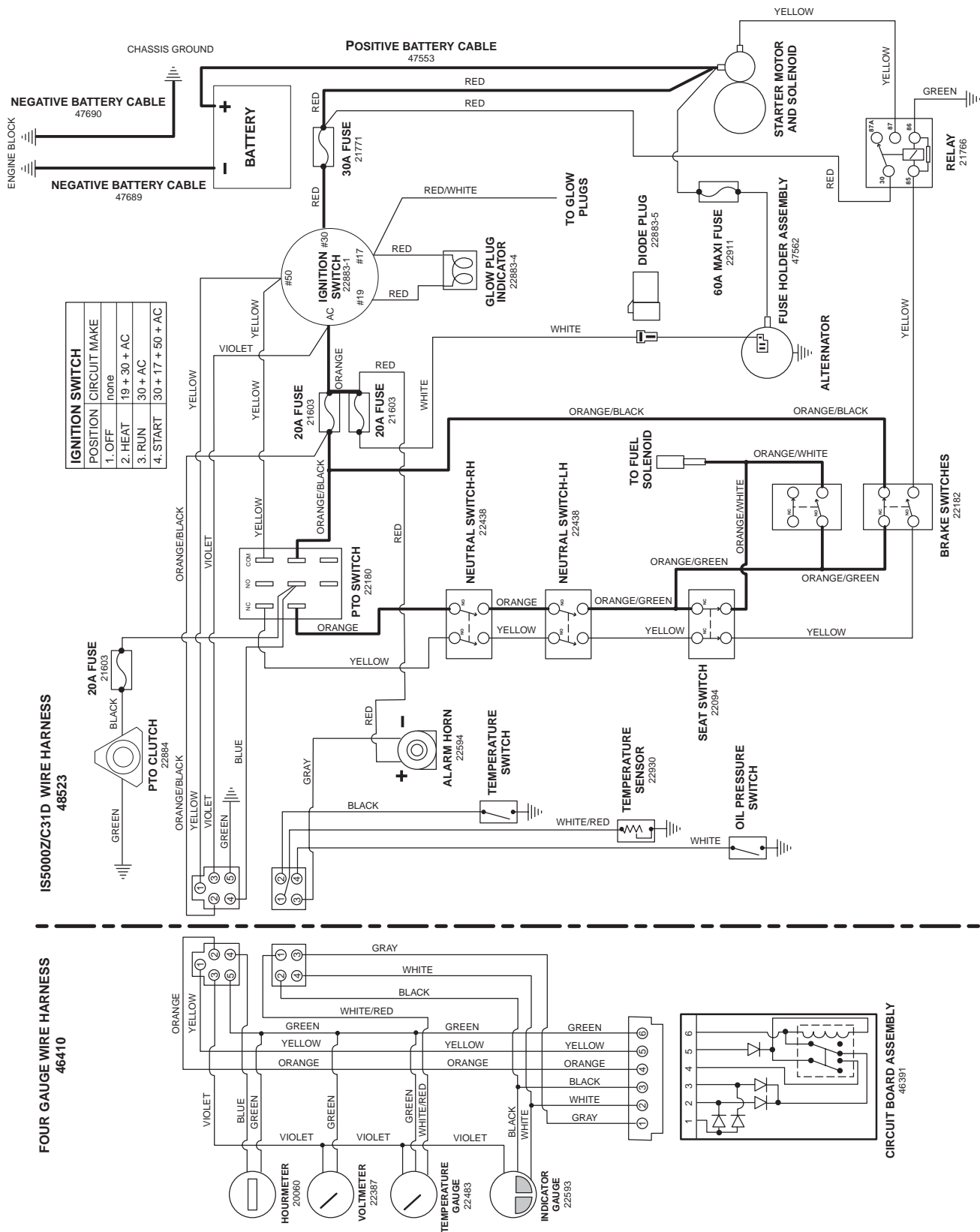
The above parts group applies to the following Model Nos.:
IS5000Z/C31D (S/N: 410 & below)

Gauges & Alarm Circuit



The above parts group applies to the following Model Nos.:
IS5000Z/C31D (S/N: 410 & below)

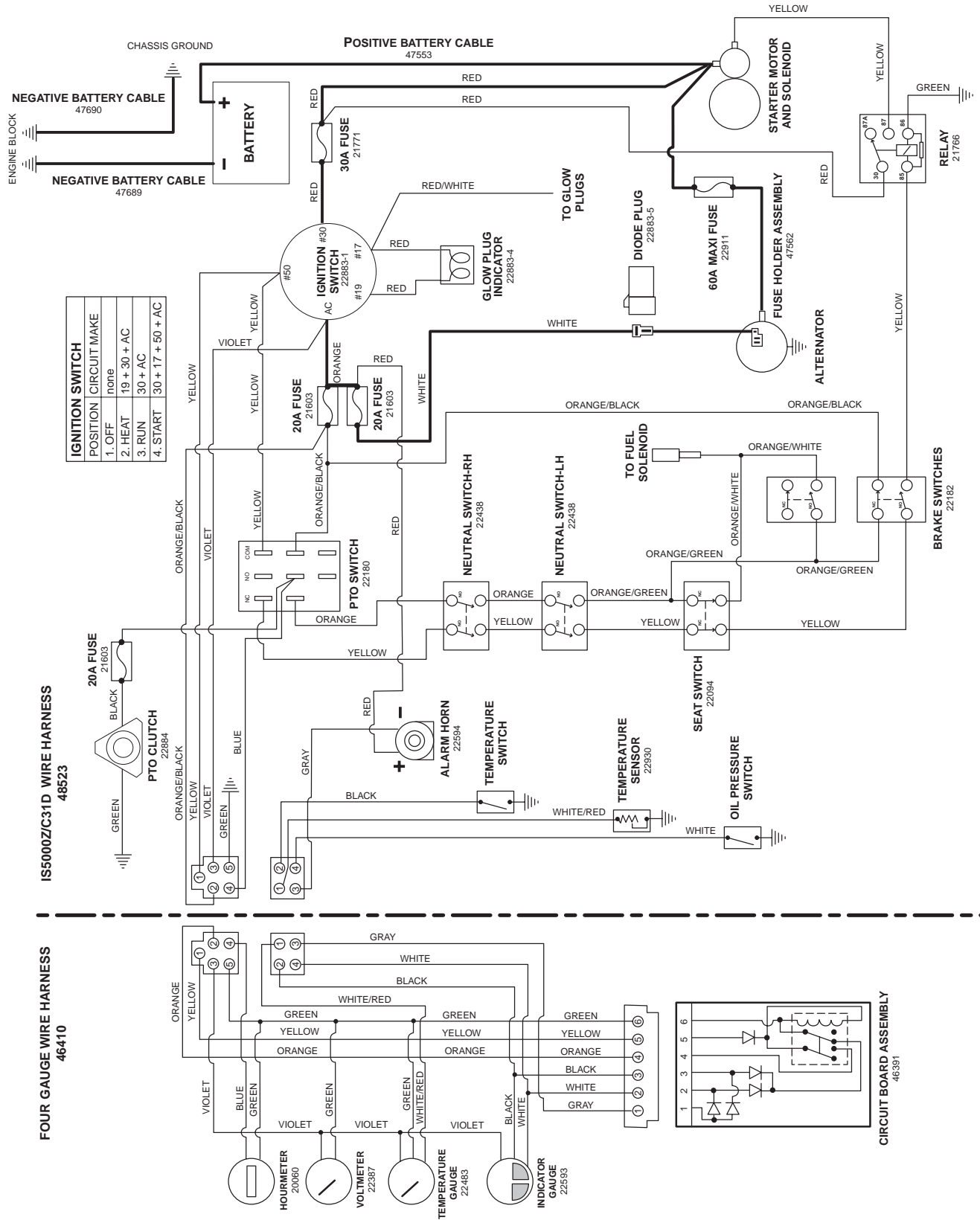
Operator Presence/Safety Circuit



The above parts group applies to the following Model Nos.:

- IS5000Z/C31D (S/N: 411 & above)
- IS5000Z/C31DCE
- IS5000ZC31D61CE

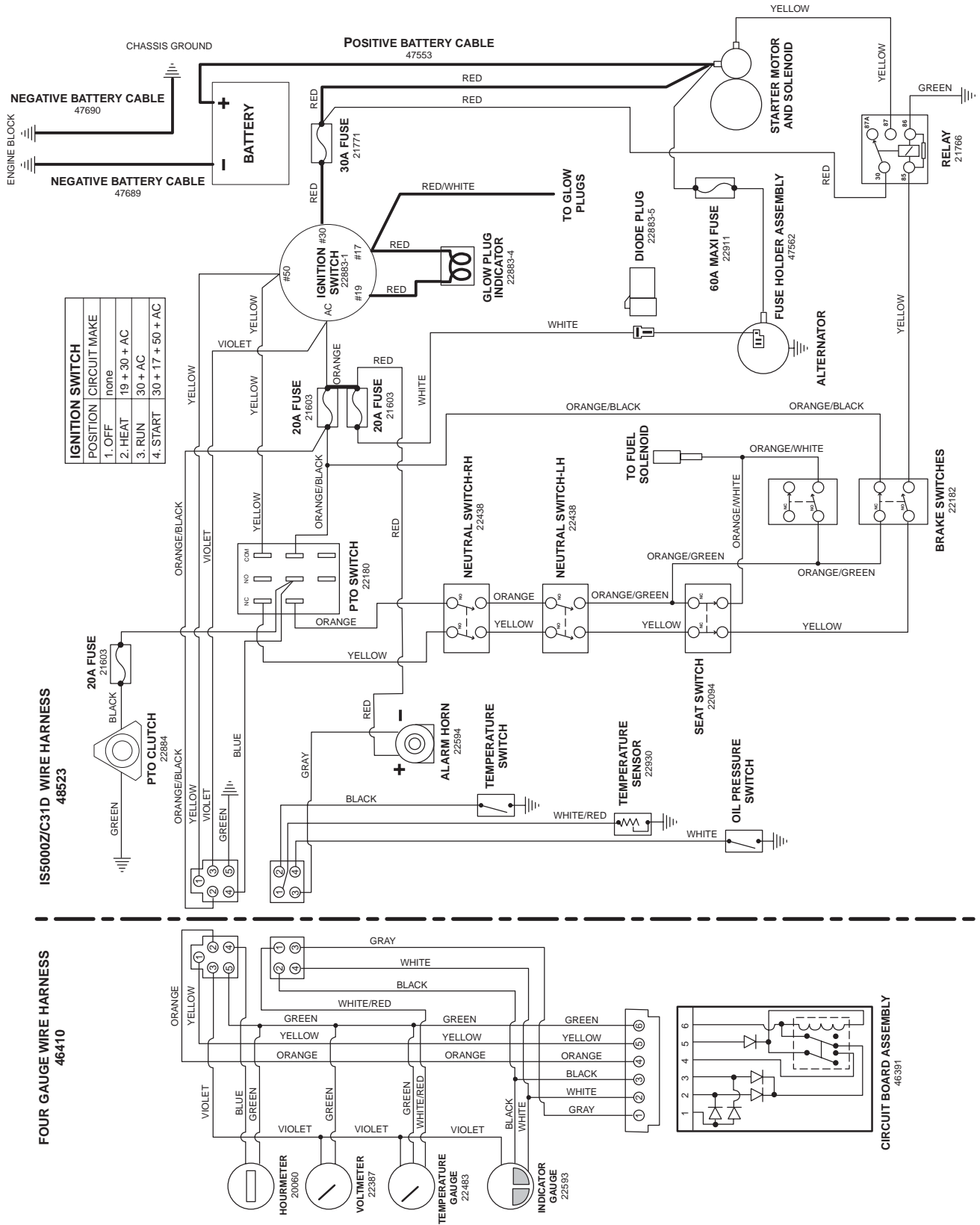
Charging Circuit



The above parts group applies to the following Model Nos.:

- IS5000Z/C31D (S/N: 411 & above)
- IS5000Z/C31DCE
- IS5000ZC31D61CE

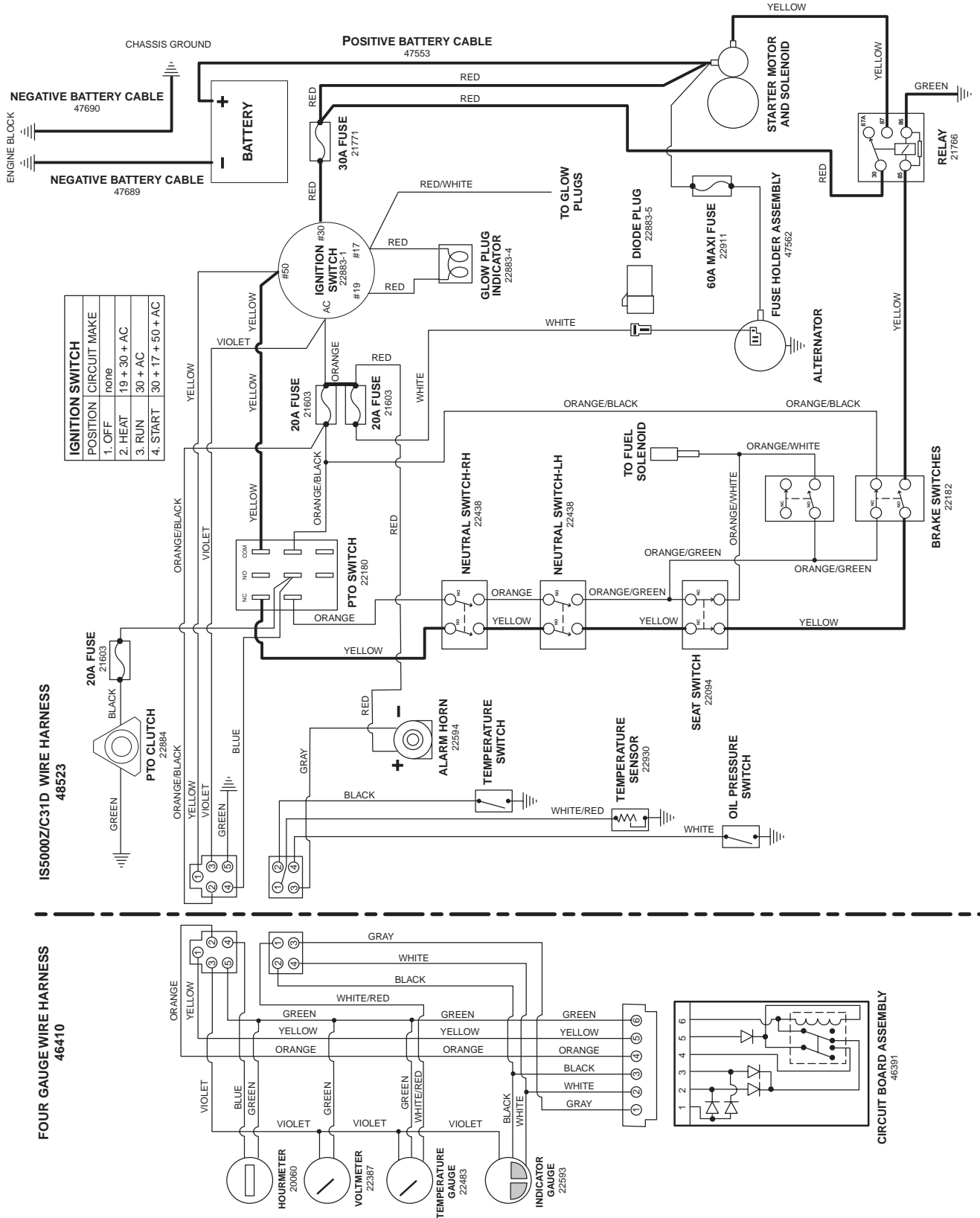
Glow Plug Heat Circuit



The above parts group applies to the following Model Nos.:

- IS5000Z/C31D (S/N: 411 & above)
- IS5000Z/C31DCE
- IS5000ZC31D61CE

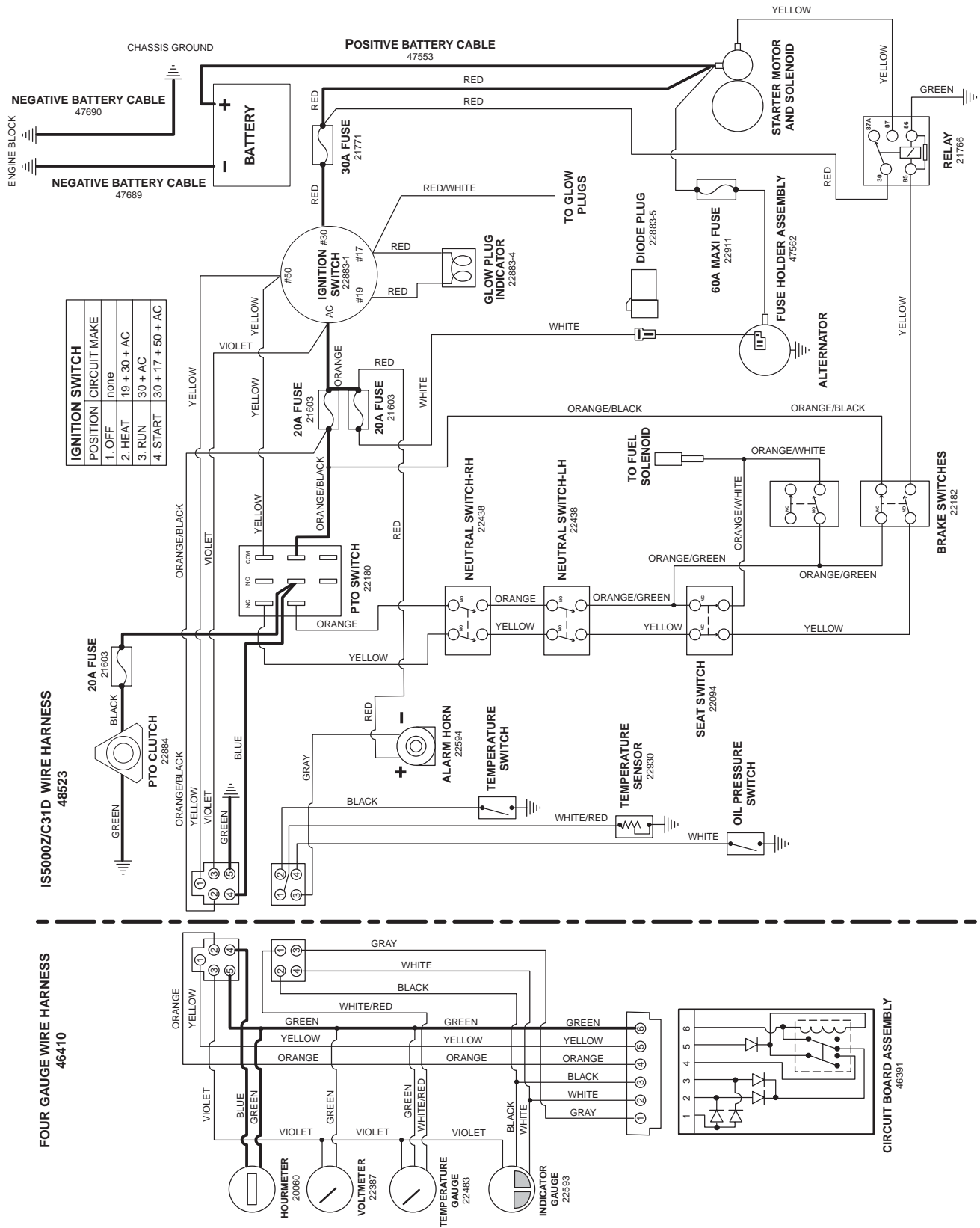
Cranking Circuit



The above parts group applies to the following Model Nos.:

- IS5000Z/C31D (S/N: 411 & above)
- IS5000Z/C31DCE
- IS5000ZC31D61CE

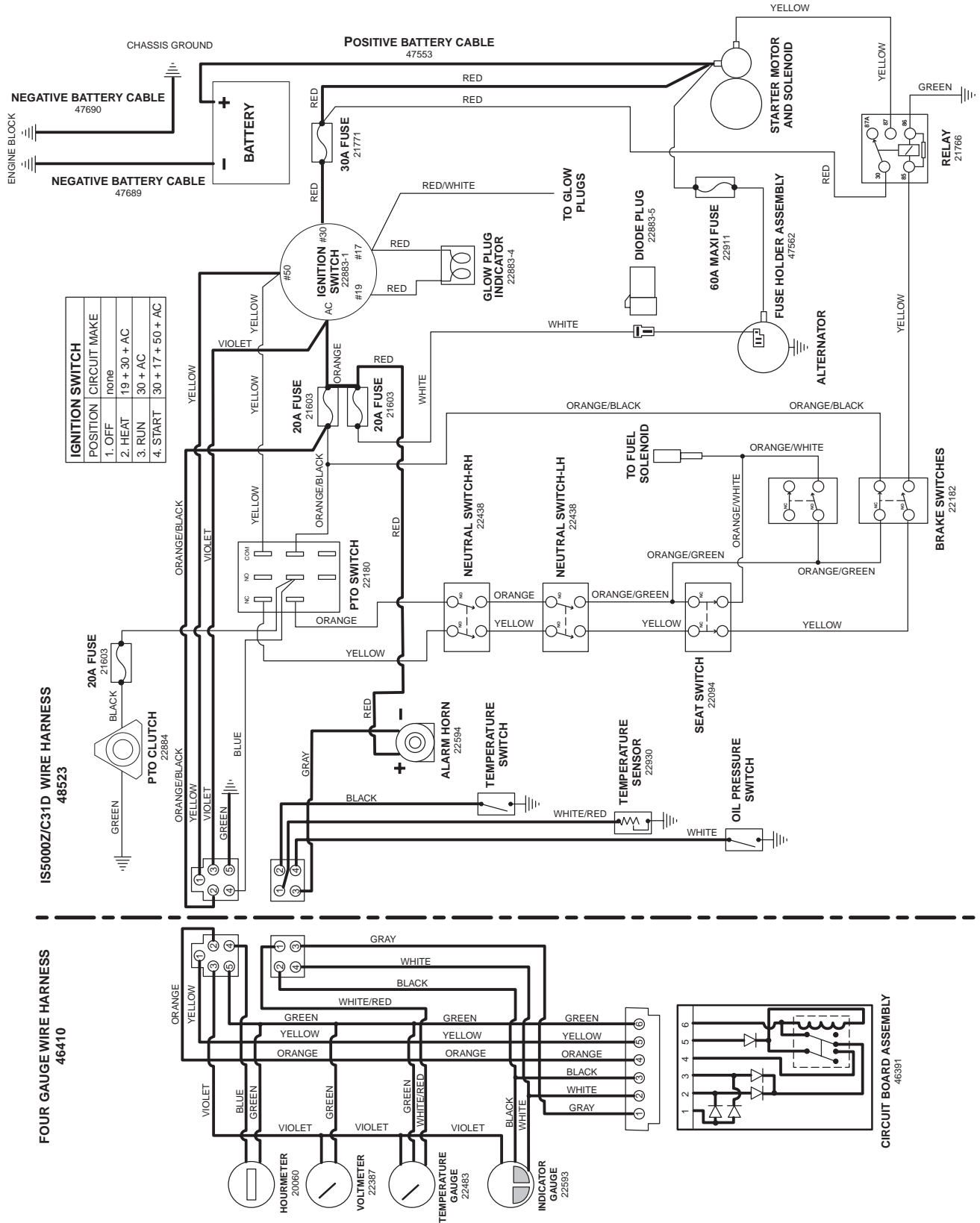
PTO & Hourmeter Circuit



The above parts group applies to the following Model Nos.:

- IS5000Z/C31D (S/N: 411 & above)
- IS5000Z/C31DCE
- IS5000ZC31D61CE

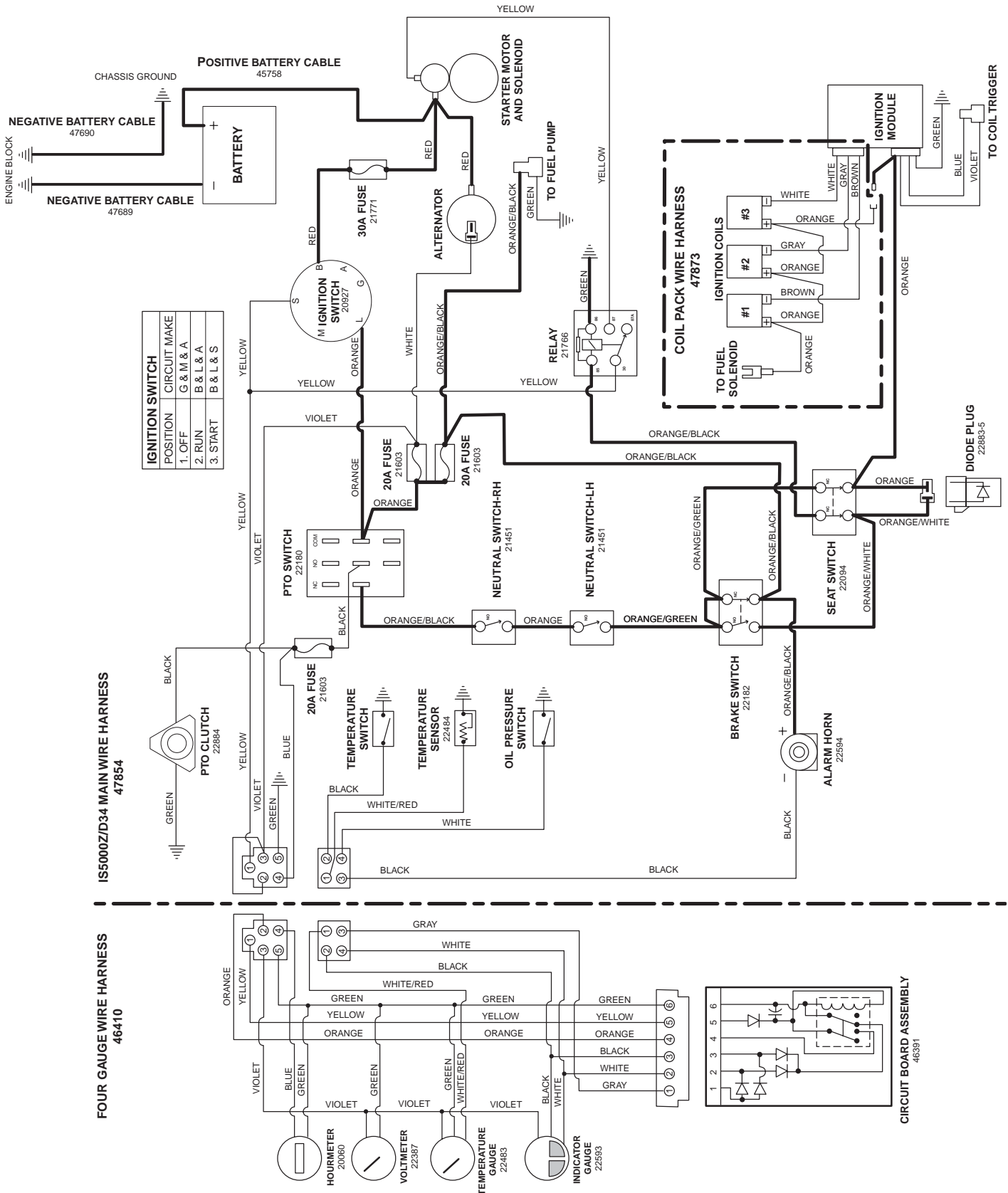
Gauges & Alarm Circuit



The above parts group applies to the following Model Nos.:

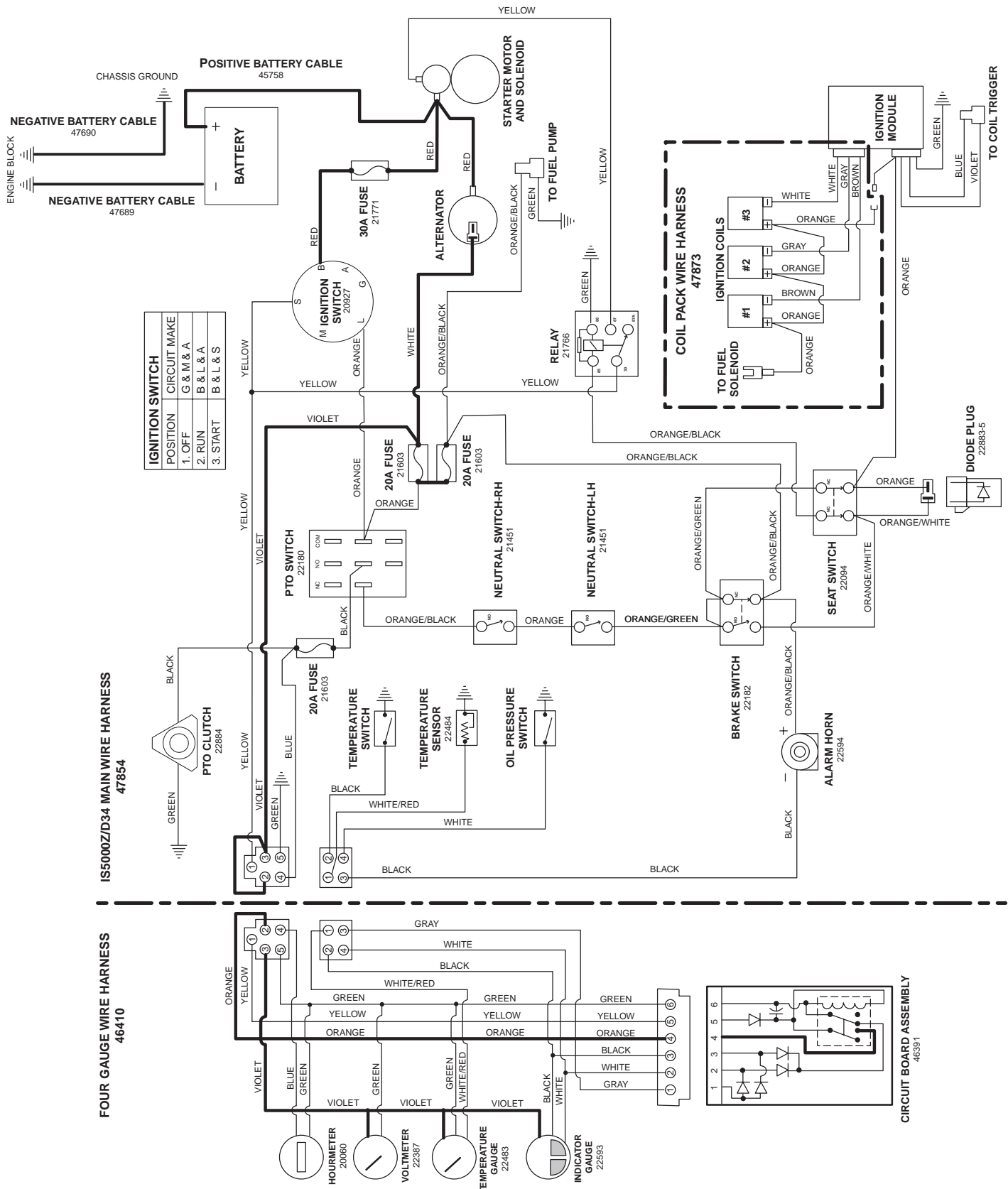
- IS5000Z/C31D (S/N: 411 & above)
- IS5000Z/C31DCE
- IS5000ZC31D61CE

Operator Presence/Safety Circuit



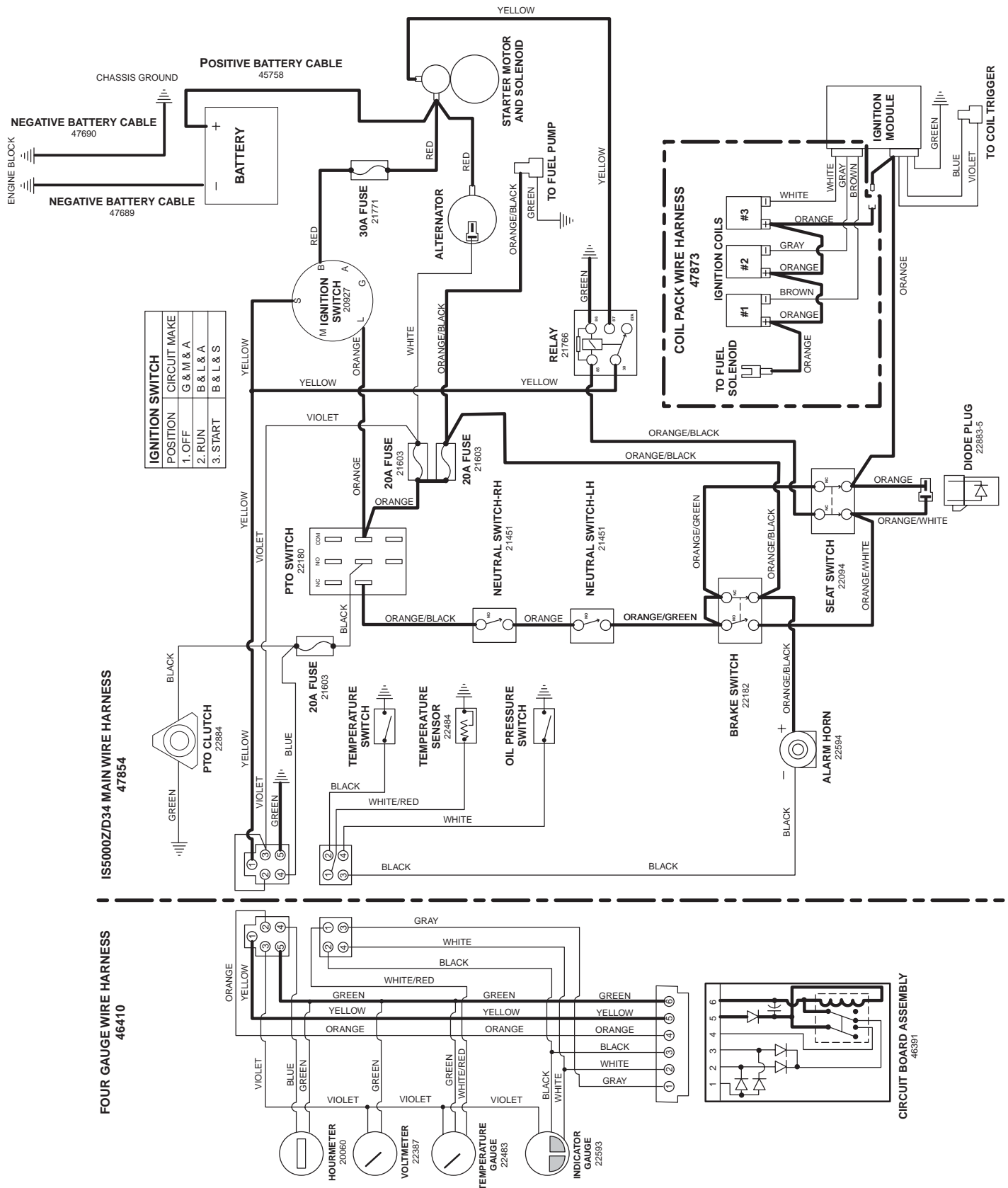
The above parts group applies to the following Model Nos.:
IS5000Z/D34

Charging Circuit



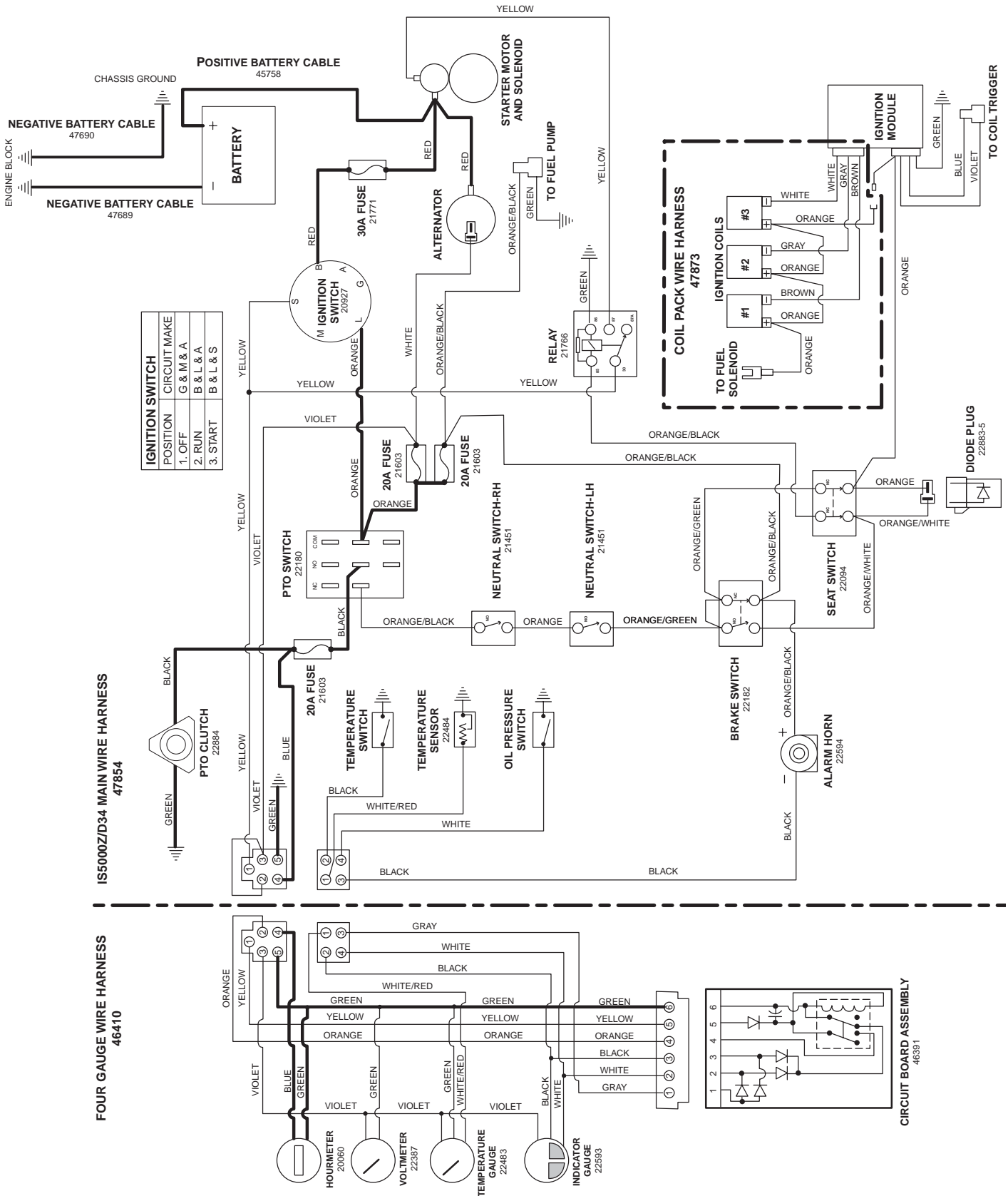
The above parts group applies to the following Model Nos.:
IS5000Z/D34

Cranking Circuit

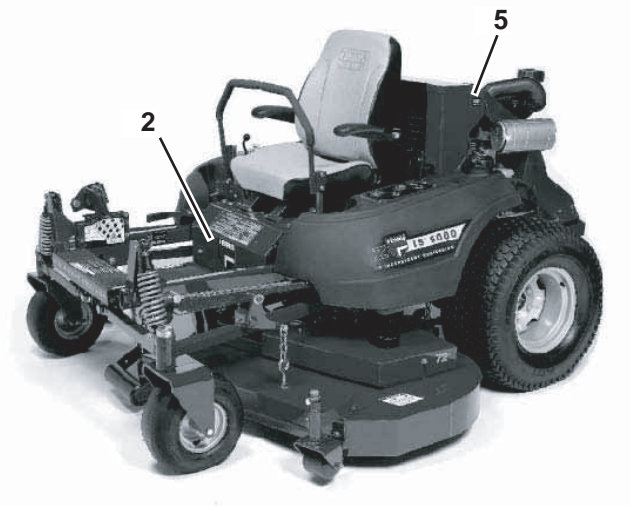
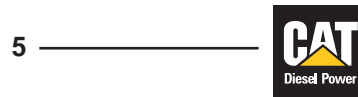


The above parts group applies to the following Model Nos.:
IS5000Z/D34

PTO & Hourmeter Circuit



The above parts group applies to the following Model Nos.:
IS5000Z/D34



NOTE: Decals are NOT shown to scale.

The above parts group applies to the following Model Nos.:

IS5000Z/C31D	IS5000Z/D34	5000/61R
IS5000Z/C31DCE	5000/72	
IS5000ZC31D61CE	5000/72R	

Decals - Brand & Model

REF NO.	PART NO.	QTY.	DESCRIPTION
1	22227	1	DECAL, Ferris Logo, 6-3/8"
2	22556	1	DECAL, Ferris Logo, 5"
3	22239	1	DECAL, First w/ Independent
4	22555	1	DECAL, IS Independent Suspension
5	22929	2	DECAL, CAT Diesel Power (diesel model only)

Footnotes:

The above parts group applies to the following Model Nos.:

IS5000Z/C31D	IS5000Z/D34	5000/61R
IS5000Z/C31DCE	5000/72	
IS5000ZC31D61CE	5000/72R	

Decals - Safety & Operation - North American Models

REF NO.	PART NO.	QTY.	DESCRIPTION
1	47541	1	DECAL, Instrument Panel (diesel model only, S/N: 880 & below))
2	46348	1	DECAL, Gauge Panel (gas model - All) (diesel model S/N: 880 & below)
3	46601	1	DECAL, Control Panel-RH (gas model)
4	49200	1	DECAL, Control Panel (diesel model only, S/N: 881 & above)
5	47540	1	DECAL, Instruction/Safety
6	45559	1	DECAL, Operation
7	45923	1	DECAL, Oil Reservoir
8	22063	1	DECAL, Lift Plate
9	47696	1	DECAL, Priming Instructions (diesel model only)
10	1704277	1	DECAL, Danger (Chute In Place)
11	1704276	1	DECAL, Danger (Hand Under Deck)
12	1720389	2	DECAL, Warning, Mower
13	22813	1	DECAL, 61"
14	22814	1	DECAL, 72"
15	47554	1	DECAL, Fuse Location (diesel model)
16	47961	1	DECAL, Fuse Location (gas model)
17	20337	2	DECAL, Warning
18	22402	1	DECAL, Fuel Valve (gas model only)
19	21036	2	DECAL, Grease Daily
20	*	1	Model/Serial Number Tag (not serviced)

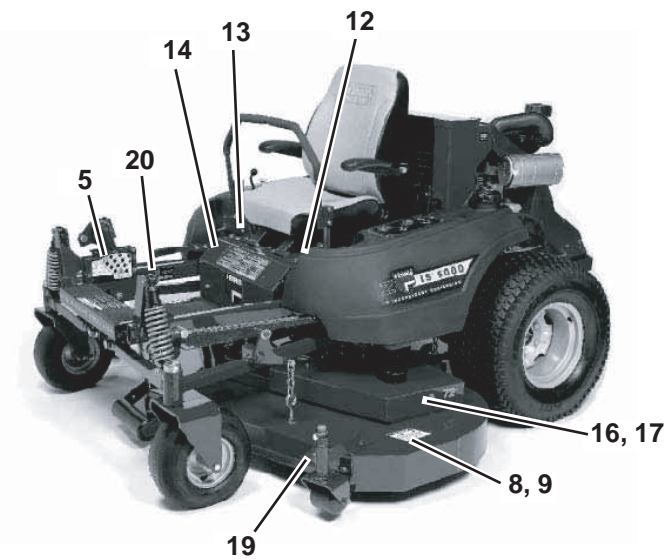
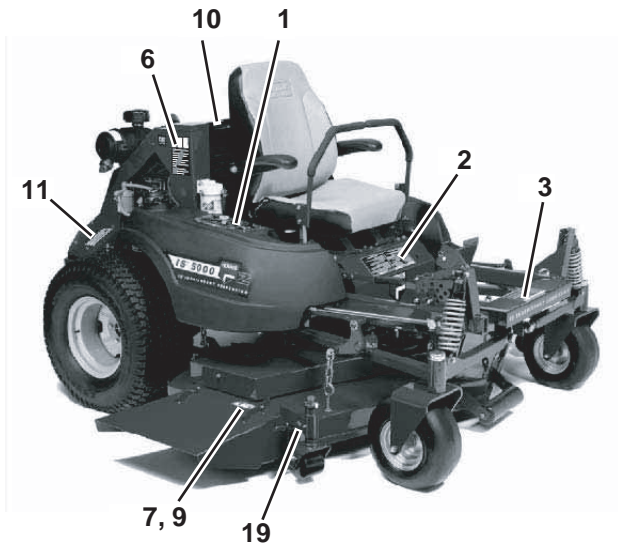
Footnotes:

* - Not Serviced

The above parts group applies to the following Model Nos.:

IS5000Z/C31D	5000/72
IS5000Z/D34	5000/72R
	5000/61R

Decals - Safety & Operation - CE Models



- 1
- 2
- 3
- 4
- 5
- 6
- 7
- 8
- 9
- 10
- 11
- 12
- 13
- 14
- 15
- 16 **61" 72"**
- 17
- 18

PTO Clutch 20A	Fuel Solenoid 20A	Alternator 20A	Ignition 30A
----------------	-------------------	----------------	--------------
- 19

NOTE: Decals are NOT shown to scale.

The above parts group applies to the following Model Nos.:

- IS5000Z/C31DCE 5000/61R
- IS5000ZC31D61CE 5000/72R

Decals - Safety & Operation - CE Models

REF NO.	PART NO.	QTY.	DESCRIPTION
1	49200	1	DECAL, Control Panel
2	1723175	1	DECAL, Warning, Main
3	45559	1	DECAL, Operation
4	45923	1	DECAL, Oil Reservoir
5	22063	1	DECAL, Lift Plate
6	47696	1	DECAL, Priming Instructions
7	1704277	1	DECAL, Danger (Chute In Place)
8	1704276	1	DECAL, Danger (Hand Under Deck)
9	1720389	2	DECAL, Warning, Mower
10	1704473	1	DECAL, Hot Surface
11	61042	1	DECAL, Warning, Rotating Parts
12	1725671	1	DECAL, Ground Speed, LH
13	1725670	1	DECAL, Ground Speed, RH
14	1725669	1	DECAL, Parking Brake
15	1725941	1	DECAL, CZT Hydro Release
16	22813	1	DECAL, 61"
17	22814	1	DECAL, 72"
18	47554	1	DECAL, Fuse Location
19	21036	2	DECAL, Grease Daily
20	*	1	Model/Serial Number Tag (not serviced)
21	*	1	DECAL, 105dB (Export models only, not serviced)

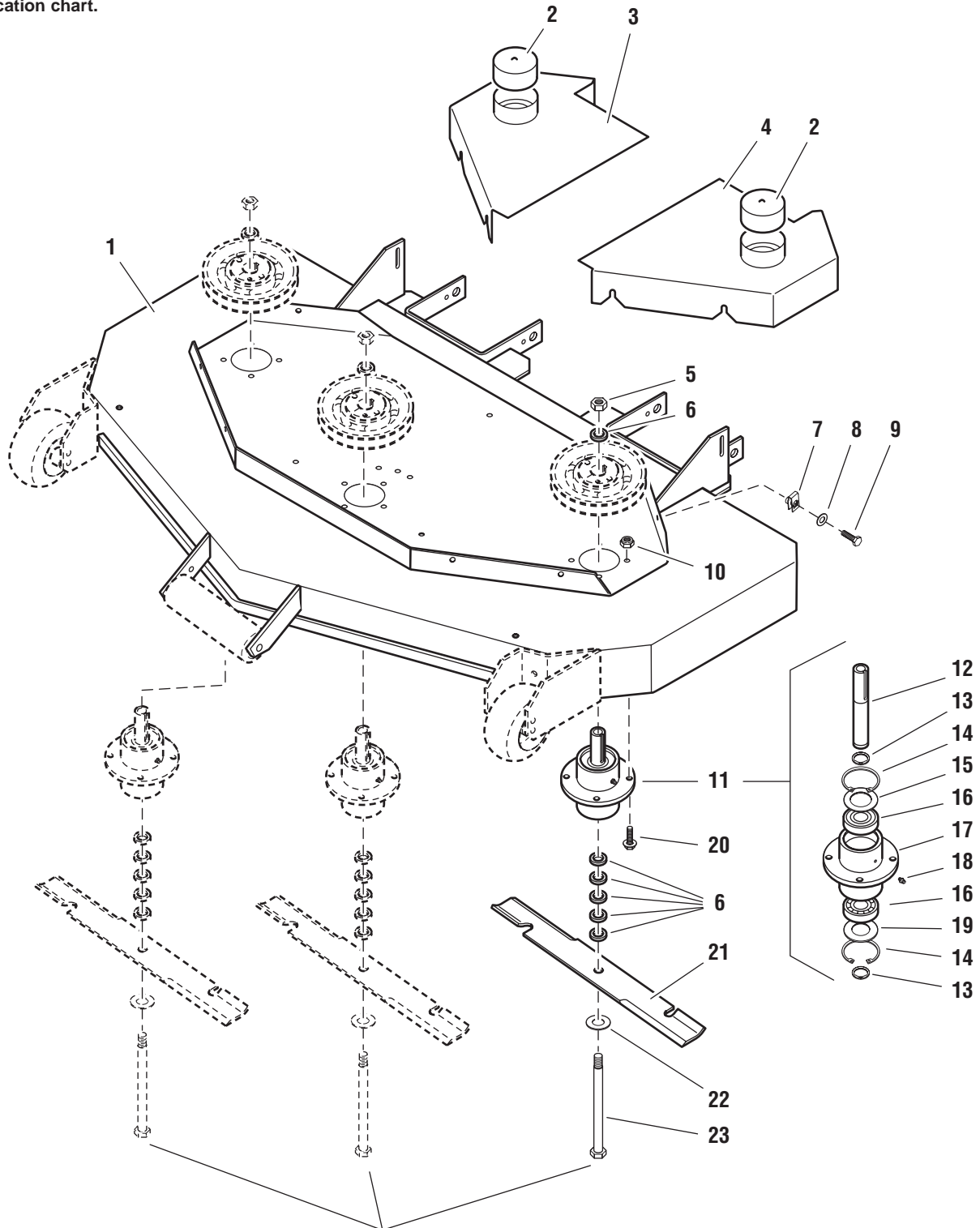
Footnotes:

The above parts group applies to the following Model Nos.:

IS5000Z/C31DCE	5000/61R
IS5000ZC31D61CE	5000/72R

61" Mower Deck - Housing, Covers, Spindles & Blades - Rear Discharge

NOTE: Unless noted otherwise,
use the standard hardware torque
specification chart.



**Torque Capscrews
to 70 Ft. Lbs.
(95 Nm)**

The above parts group applies to the following Model Nos.:
5000/61R

61" Mower Deck - Housing, Covers, Spindles & Blades - Rear Discharge

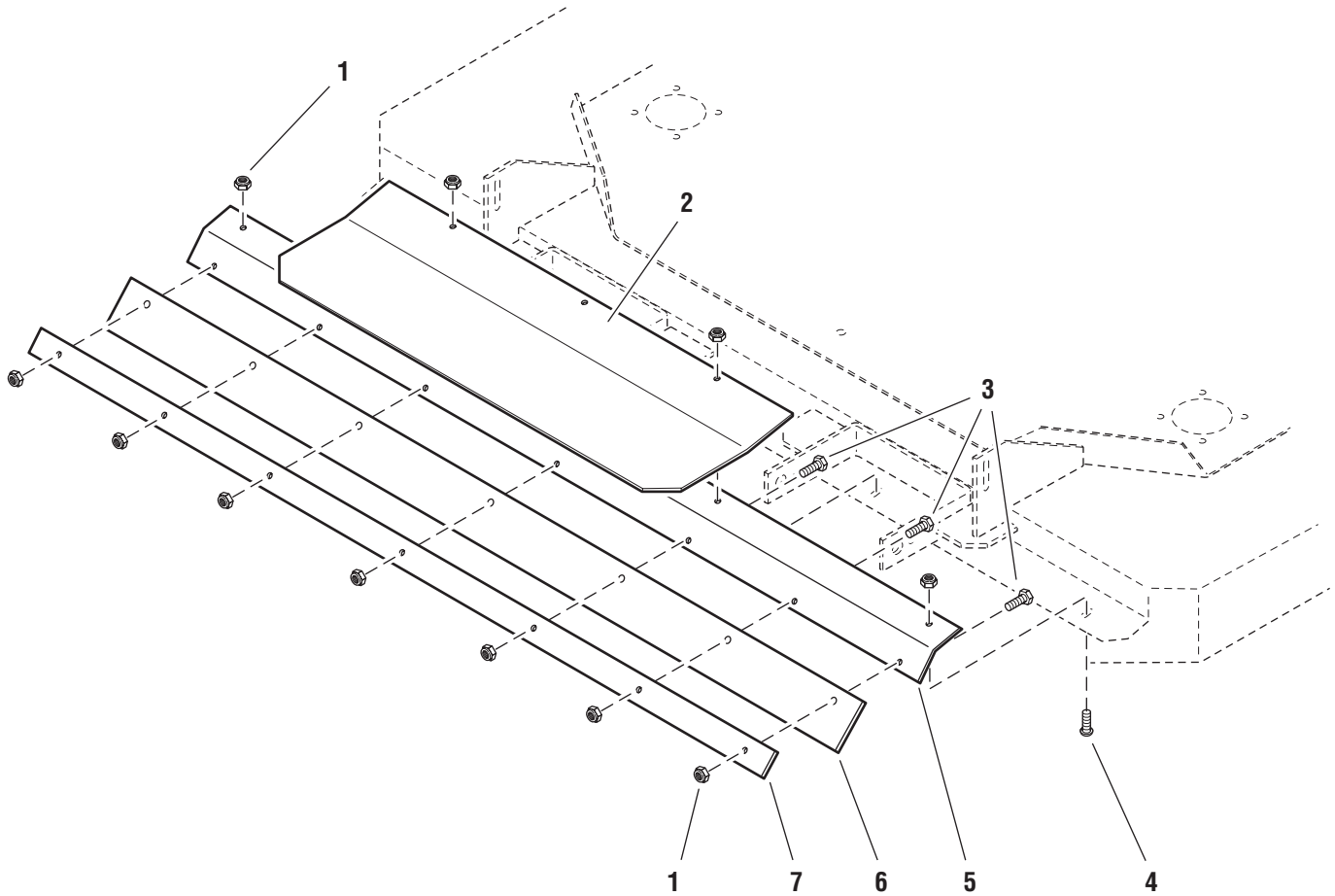
REF NO.	PART NO.	QTY.	DESCRIPTION
1	48314	1	61" MOWER DECK - REAR DISCHARGE
2	21674	2	VINYL CAP
3	48422	1	DECK SHIELD - RH
4	48423	1	DECK SHIELD - LH
5	25040	3	NUT, Hex, 5/8-11
6	41477	18	SPACER, .63 x 1.06 x .23
7	22308	6	BODY CLIP, 5/16-18
8	25155	6	WASHER, 5/16
9	25011-6	6	CAPSCREW, Hex Head, 5/16-18 x 3/4
10	25057	12	NUT, Hex Nylon Lock, 5/16-18
11	30301	3	SPINDLE ASSEMBLY, Complete (includes Ref No. 12-19)
12	41480	3	SPINDLE SHAFT
13	20864	6	SNAP RING, External
14	20866	6	SNAP RING, Internal
15	41653	3	SPINDLE WASHER, Top
16	20828	6	BEARING
17	30293	3	SPINDLE HOUSING
18	20095	3	GREASE FITTING
19	41672	3	SPINDLE WASHER, Bottom
20	23156	12	CAPSCREW, Hex Flange Head, 5/16-18 x 1-1/4
21	23272	3	BLADE, 21"
22	25159	3	WASHER, USS, 5/8
23	25019-76	3	CAPSCREW, Hex Head, 5/8-11 x 9-1/2

Footnotes:

The above parts group applies to the following Model Nos.:
5000/61R

61" Mower Deck - Deflector & Shield - Rear Discharge

NOTE: Unless noted otherwise,
use the standard hardware torque
specification chart.



The above parts group applies to the following Model Nos.:
5000/61R

61" Mower Deck - Deflector & Shield - Rear Discharge

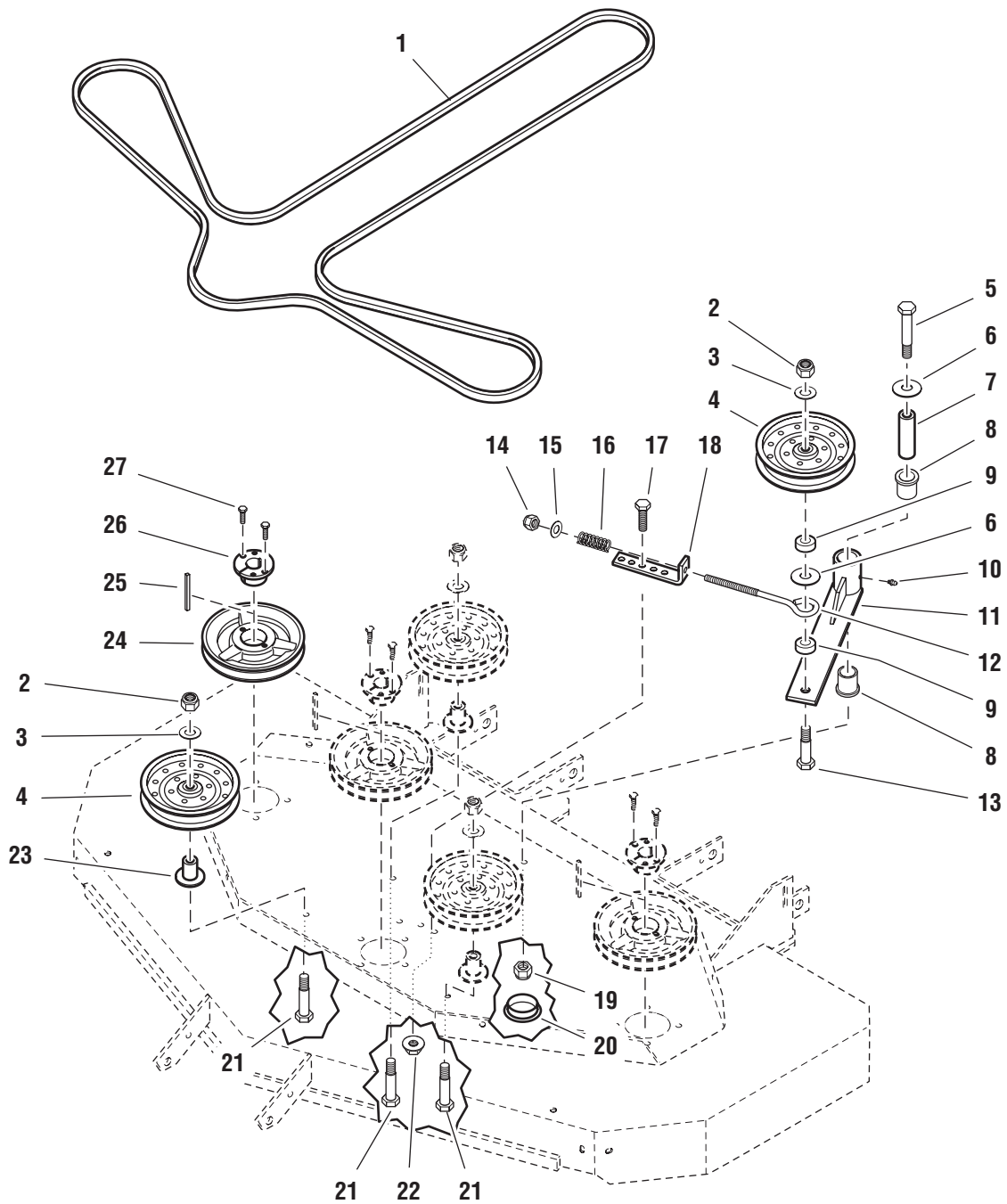
REF NO.	PART NO.	QTY.	DESCRIPTION
1	25057	11	NUT, Hex Nylon Lock, 5/16-18
2	48418	1	SHIELD
3	25011-8	7	CAPSCREW, Hex Head, 5/16-18 x 1
4	25145-8	4	CARRIAGE BOLT, 5/16-18 x 1
5	48244	1	DEFECTOR MOUNT
6	48243	1	RUBBER DEFLECTOR
7	48245	1	RETAINING PLATE

Footnotes:

The above parts group applies to the following Model Nos.:
5000/61R

61" Mower Deck - Pulleys, Belt & Idler Arm - Rear Discharge

NOTE: Unless noted otherwise,
use the standard hardware torque
specification chart.



The above parts group applies to the following Model Nos.:
5000/61R

61" Mower Deck - Pulleys, Belt & Idler Arm - Rear Discharge

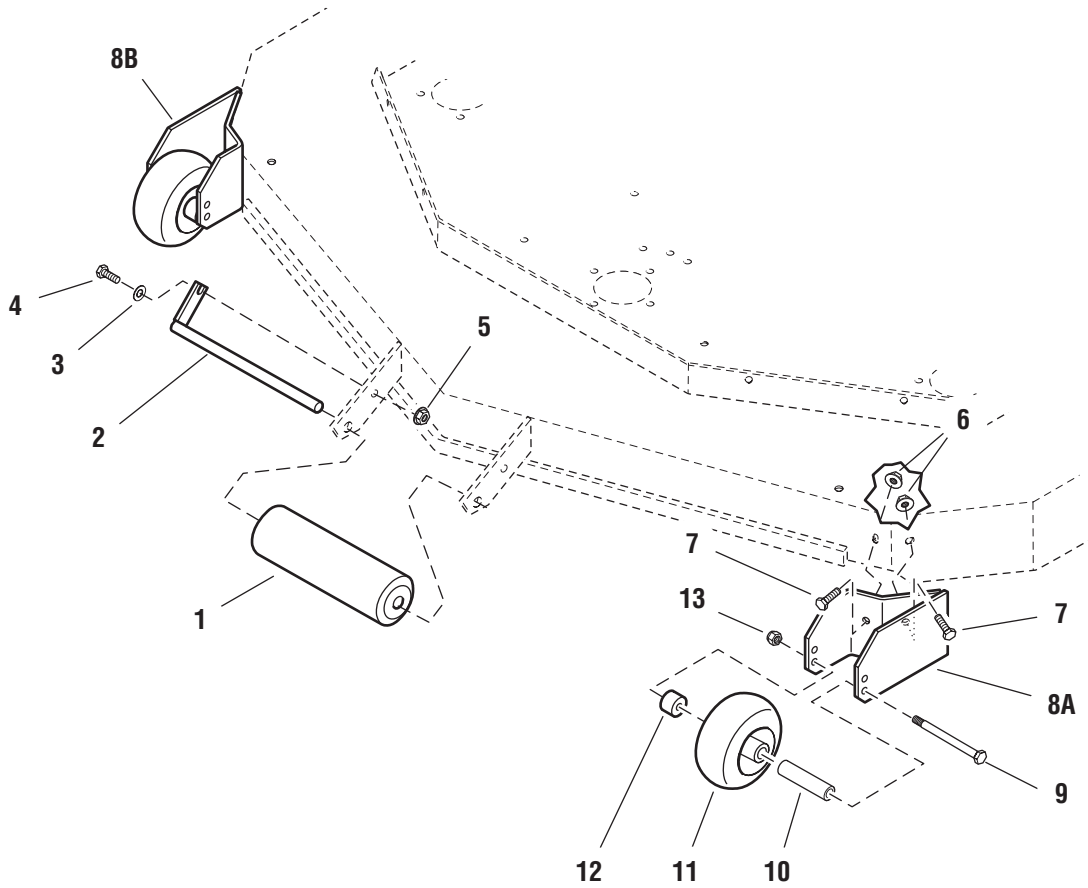
REF NO.	PART NO.	QTY.	DESCRIPTION
1	23123	1	BELT
2	25098	2	NUT, Hex Nylon Lock, 1/2-20
3	25158	4	WASHER, 1/2
4	21976	4	IDLER PULLEY
5	25017-36	1	CAPSCREW, Hex Head, 1/2-13 x 4-1/2
6	25150	2	WASHER, USS, 1/2
7	45022	1	IDLER ARM PIVOT SHAFT
8	21541	2	BUSHING, Flange
9	45023	2	SPACER, .52 x 1.00 x .44
10	20095	1	GREASE FITTING, 1/4-28
11	45019	1	IDLER ARM
12	21811	1	EYEBOLT
13	25018-24	1	CAPSCREW, Hex Head, 1/2-20 x 3
14	25096	1	NUT, Hex Nylon Lock, 3/8-16
15	25156	1	WASHER, 3/8
16	22788	1	SPRING, Compression
17	25013-8	1	CAPSCREW, Hex Head, 3/8-16 x 1
18	46556	1	SPRING ANCHOR
19	25056	1	NUT, Hex Nylon Lock, 1/2-13
20	22800	1	HOLE PLUG
21	25018-28	3	CAPSCREW, Hex Head, 1/2-20 x 3-1/2
22	25128	1	NUT, Hex Serrated Flange, 3/8-16
23	45024	3	IDLER PULLEY MOUNT
24	20815	3	SPINDLE PULLEY
25	50407-9	3	KEY, 1/4 Sq. x 2-1/2
26	20819	3	BUSHING, Taper Hub
27	25010-8	6	CAPSCREW, Hex Head, 1/4-20 x 1

Footnotes:

The above parts group applies to the following Model Nos.:
5000/61R

61" Mower Deck - Rollers & Casters - Rear Discharge

NOTE: Unless noted otherwise,
use the standard hardware torque
specification chart.



The above parts group applies to the following Model Nos.:
5000/61R

61" Mower Deck - Rollers & Casters - Rear Discharge

REF NO.	PART NO.	QTY.	DESCRIPTION
1	20785	1	ROLLER, Nose
2	41655	1	ROLLER PIN
3	25155	1	WASHER, 5/16
4	25011-8	1	CAPSCREW, Hex Head, 5/16-18 x 1
5	25139	1	NUT, Hex Serrated Flange, 5/16-18
6	25128	4	NUT, Hex Serrated Flange, 3/8-16
7	25013-8	4	CAPSCREW, Hex Head, 3/8-16 x 1
8A	48537	1	CASTER MOUNT-LH
8B	48536	1	CASTER MOUNT-RH
9	25013-36	2	CAPSCREW, Hex Head, 3/8-16 x 4-1/2
10	45992	2	WHEEL AXLE
11	1716353	2	WHEEL
12	46446	2	SPACER, .39 x 1.00 x .79
13	25096	2	NUT, Hex Nylon Lock, 3/8-16

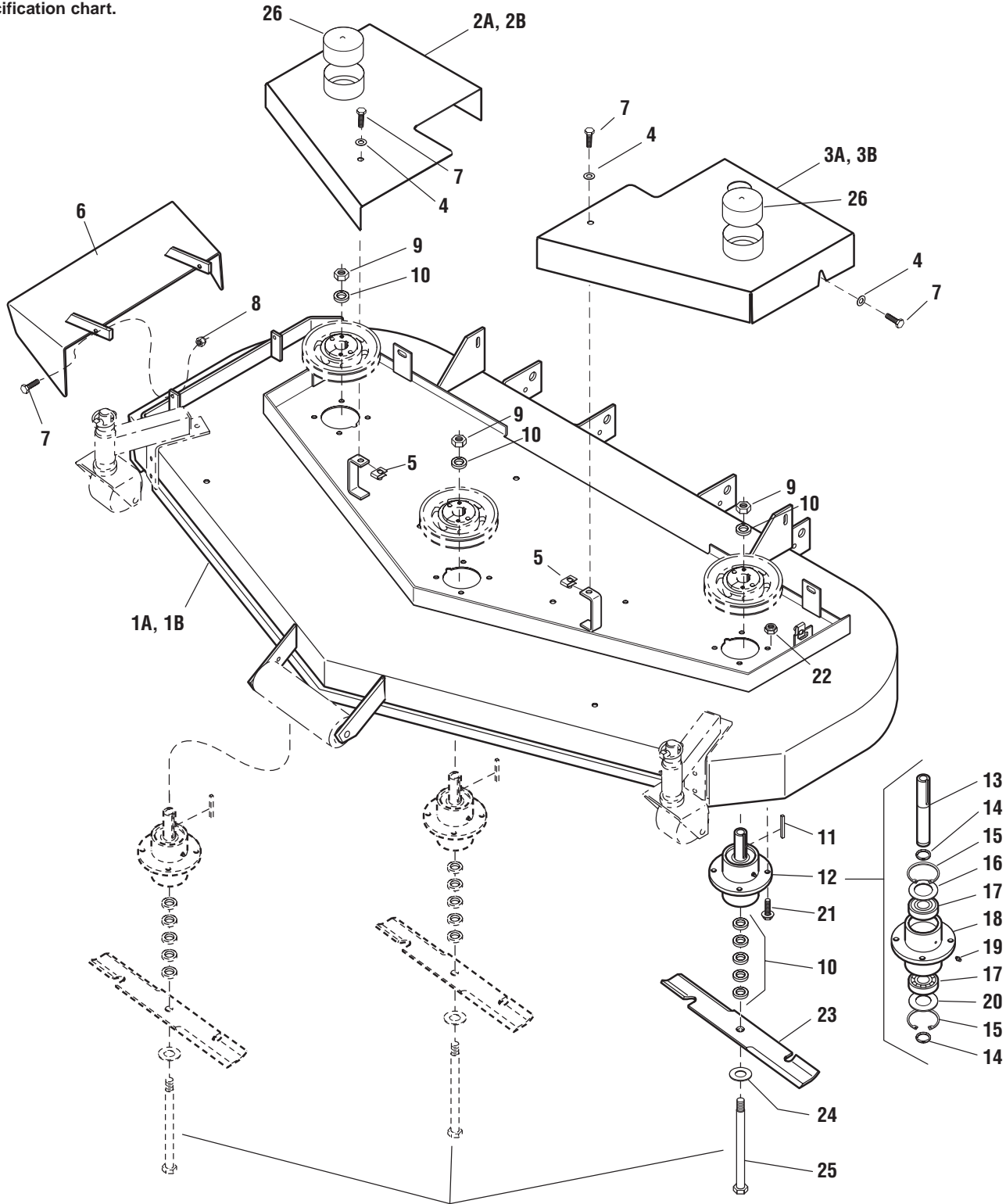
Footnotes:

The above parts group applies to the following Model Nos.:

5000/61R

72" Mower Deck - Housing, Covers, Spindles & Blades

NOTE: Unless noted otherwise, use the standard hardware torque specification chart.



**Torque Capscrews
to 70 Ft. Lbs.
(95 Nm)**

The above parts group applies to the following Model Nos.:
5000/72

72" Mower Deck - Housing, Covers, Spindles & Blades

REF NO.	PART NO.	QTY.	DESCRIPTION
1A	47400 *	1 *	72" MOWER HOUSING (S/N: 484 & below) *See Footnote*
1B	48518	1	72" MOWER HOUSING (S/N: 485 & above)
2A	47560	1	SPINDLE COVER-RH (S/N: 484 & below)
2B	48525	1	SPINDLE COVER-RH (S/N: 485 & above)
3A	47559	1	SPINDLE COVER-LH (S/N: 484 & below)
3B	48524	1	SPINDLE COVER-LH (S/N: 485 & above)
4	25155	6	WASHER, 5/16
5	22308	6	BODY CLIP, 5/16-18
6	47233	1	DISCHARGE CHUTE
7	25011-8	8	CAPSCREW, Hex Head, 5/16-18 x 1
8	25057	2	NUT, Hex Nylon Lock, 5/16-18
9	25040	3	NUT, Hex, 5/8-11
10	41477	18	SPACER, .63 x 1.06 x .23
11	50407-9	3	KEY, 1/4 x 2-1/2
12	30301	3	SPINDLE ASSEMBLY, Complete (includes Ref 13-20)
13	41480	3	SPINDLE SHAFT
14	20864	6	SNAP RING, External
15	20866	6	SNAP RING, Internal
16	41653	3	SPINDLE WASHER, Top
17	20828	6	BEARING
18	30293	3	SPINDLE HOUSING
19	20095	3	GREASE FITTING
20	41672	3	SPINDLE WASHER, Bottom
21	23157	12	CAPSCREW, Hex Flange Head, 5/16-18 x 1-1/2
22	25057	12	NUT, Hex Nylon Lock, 5/16-18
23	22476	3	MOWER BLADE, 25"
24	25159	3	WASHER, USS, 5/8
25	25019-76	3	CAPSCREW, Hex Head, 5/8-11 x 9-1/2
26	21674	2	CAP

Footnotes:

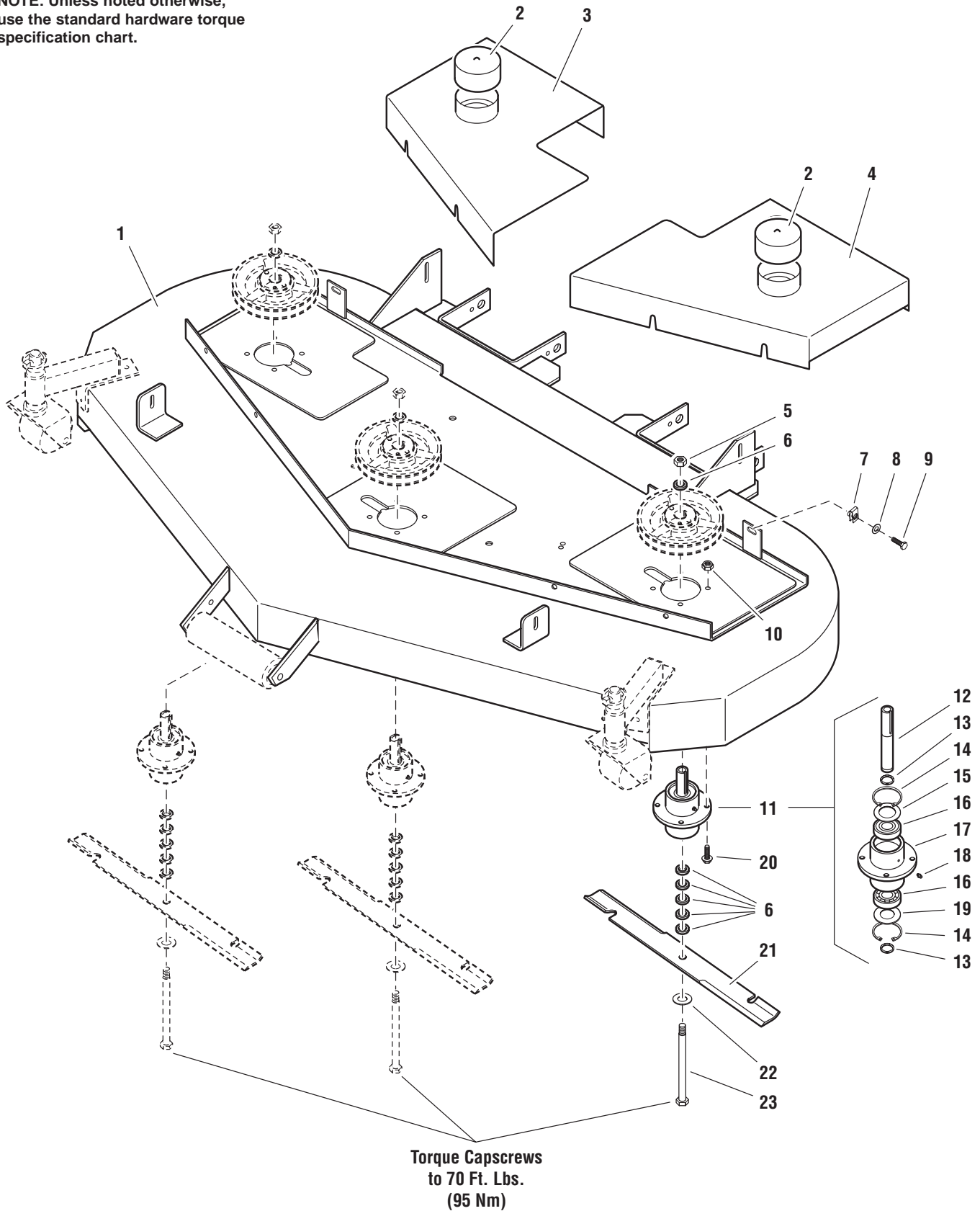
* - Ref No. 1A (47400) is obsolete. If replacing mower housing, use Ref No. 1B (48518) and guards Ref. No. 2B & 3B (48525 & 48524).

The above parts group applies to the following Model Nos.:

5000/72

72" Mower Deck - Housing, Covers, Spindles & Blades - Rear Discharge

NOTE: Unless noted otherwise, use the standard hardware torque specification chart.



The above parts group applies to the following Model Nos.:
5000/72R

72" Mower Deck - Housing, Covers, Spindles & Blades - Rear Discharge

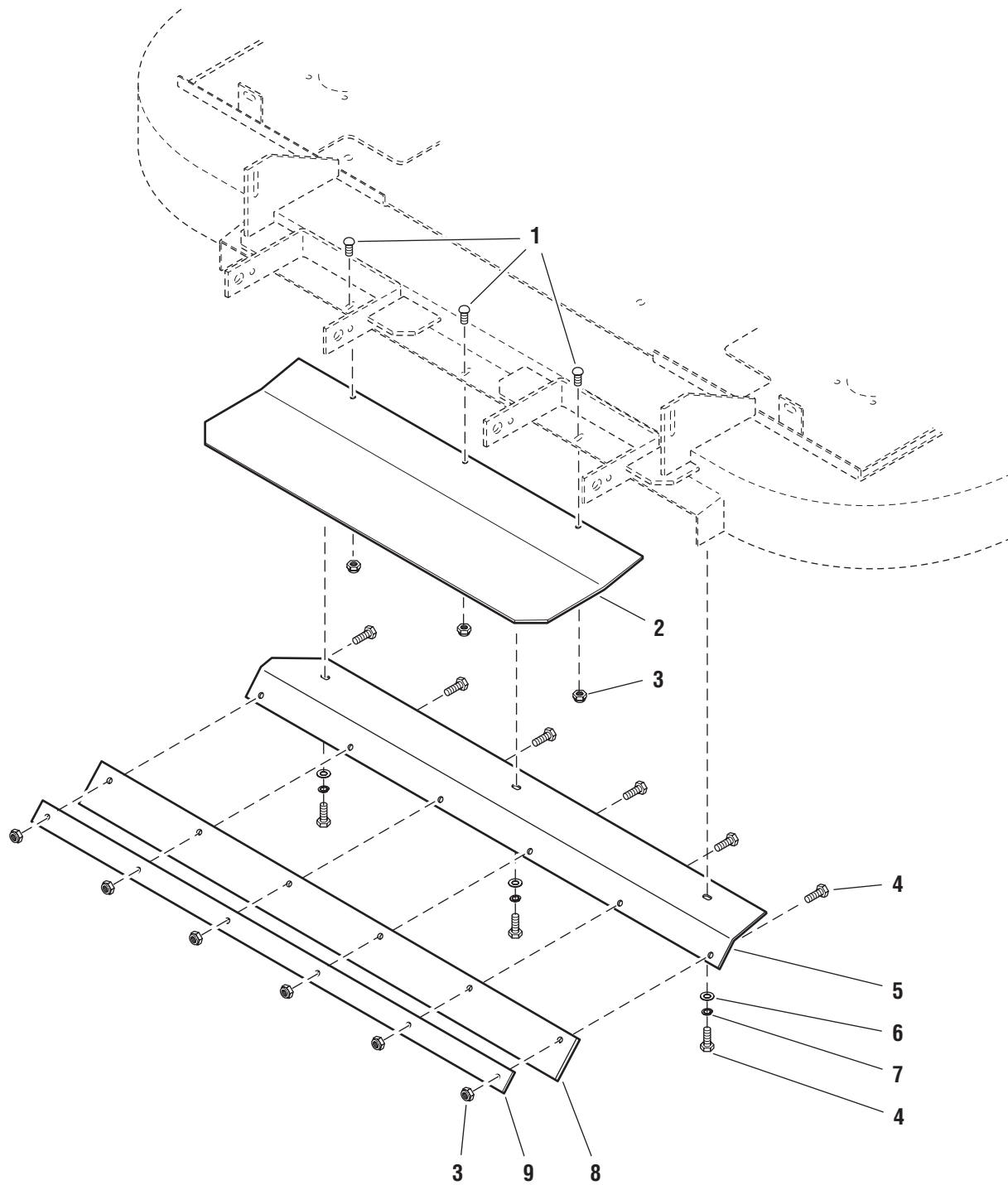
REF NO.	PART NO.	QTY.	DESCRIPTION
1	48456	1	72" MOWER DECK - REAR DISCHARGE
2	21674	2	VINYL CAP
3	48525	1	DECK SHIELD - RH
4	48524	1	DECK SHIELD - LH
5	25040	3	NUT, Hex, 5/8-11
6	41477	18	SPACER, .63 x 1.06 x .23
7	22308	6	BODY CLIP, 5/16-18
8	25155	6	WASHER, 5/16
9	25011-6	6	CAPSCREW, Hex Head, 5/16-18 x 3/4
10	25057	12	NUT, Hex Nylon Lock, 5/16-18
11	30301	3	SPINDLE ASSEMBLY, Complete (includes Ref No. 12-19)
12	41480	3	SPINDLE SHAFT
13	20864	6	SNAP RING, External
14	20866	6	SNAP RING, Internal
15	41653	3	SPINDLE WASHER, Top
16	20828	6	BEARING
17	30293	3	SPINDLE HOUSING
18	20095	3	GREASE FITTING
19	41672	3	SPINDLE WASHER, Bottom
20	23157	12	CAPSCREW, Hex Flange Head, 5/16-18 x 1-1/2
21	23273	3	MOWER BLADE, 25"
22	25159	3	WASHER, USS, 5/8
23	25019-76	3	CAPSCREW, Hex Head, 5/8-11 x 9-1/2

Footnotes:

The above parts group applies to the following Model Nos.:
5000/72R

72" Mower Deck - Deflector & Shield - Rear Discharge

NOTE: Unless noted otherwise,
use the standard hardware torque
specification chart.



The above parts group applies to the following Model Nos.:

5000/72R

72" Mower Deck - Deflector & Shield - Rear Discharge

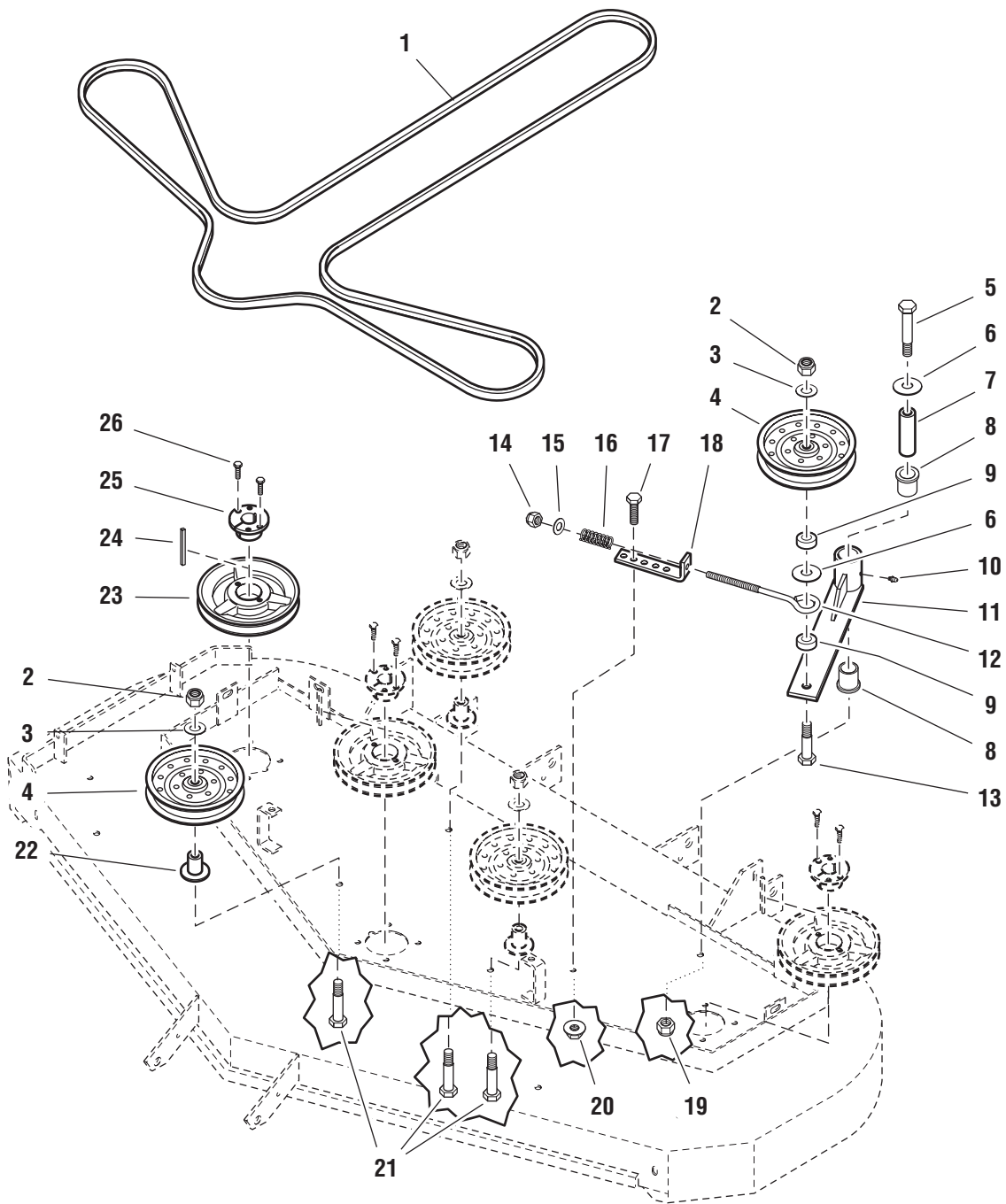
REF NO.	PART NO.	QTY.	DESCRIPTION
1	25145-6	3	CARRIAGE BOLT, 5/16-18 x 3/4
2	48418	1	SHIELD
3	25057	7	NUT, Hex Nylon Lock, 5/16-18
4	25011-8	7	CAPSCREW, Hex Head, 5/16-18 x 1
5	48469	1	DEFLECTOR MOUNT
6	25155	3	WASHER, 5/16
7	25170	3	LOCKWASHER, 5/16
8	48470	1	RUBBER DEFLECTOR
9	48471	1	RETAINING PLATE

Footnotes:

The above parts group applies to the following Model Nos.:
5000/72R

72" Mower Deck - Belt, Pulleys & Idler Arm

NOTE: Unless noted otherwise,
use the standard hardware torque
specification chart.



The above parts group applies to the following Model Nos.:

5000/72
5000/72R

72" Mower Deck - Belt, Pulleys & Idler Arm

REF NO.	PART NO.	QTY.	DESCRIPTION
1	22439	1	BELT
2	25098	4	NUT, Hex Nylon Lock, 1/2-20
3	25158	4	WASHER, 1/2
4	21976	4	IDLER PULLEY
5	25017-36	1	CAPSCREW, Hex Head, 1/2-13 x 4-1/2
6	25150	2	WASHER, USS, 1/2
7	45022	1	IDLER ARM PIVOT SHAFT
8	21541	2	BUSHING, Flange
9	45023	2	SPACER, .52 x 1.00 x .44
10	20095	1	GREASE FITTING, 1/4-28
11	45019	1	IDLER ARM
12	21811	1	EYEBOLT
13	25018-24	1	CAPSCREW, Hex Head, 1/2-20 x 3
14	25096	1	NUT, Hex Nylon Lock, 3/8-16
15	25156	1	WASHER, 3/8
16	22788	1	SPRING, Compression
17	25013-8	1	CAPSCREW, Hex Head, 3/8-16 x 1
18	46556	1	SPRING ANCHOR
19	25056	1	NUT, Hex Nylon Lock, 1/2-13
20	25128	1	NUT, Hex Serrated Flange, 3/8-16
21	25018-28	3	CAPSCREW, Hex Head, 1/2-20 x 3-1/2
22	45024	3	IDLER PULLEY MOUNT
23	22794	3	SPINDLE PULLEY
24	50407-9	3	KEY, 1/4 Sq. x 2-1/2
25	20819	3	BUSHING, Taper Hub
26	25010-8	6	CAPSCREW, Hex Head, 1/4-20 x 1

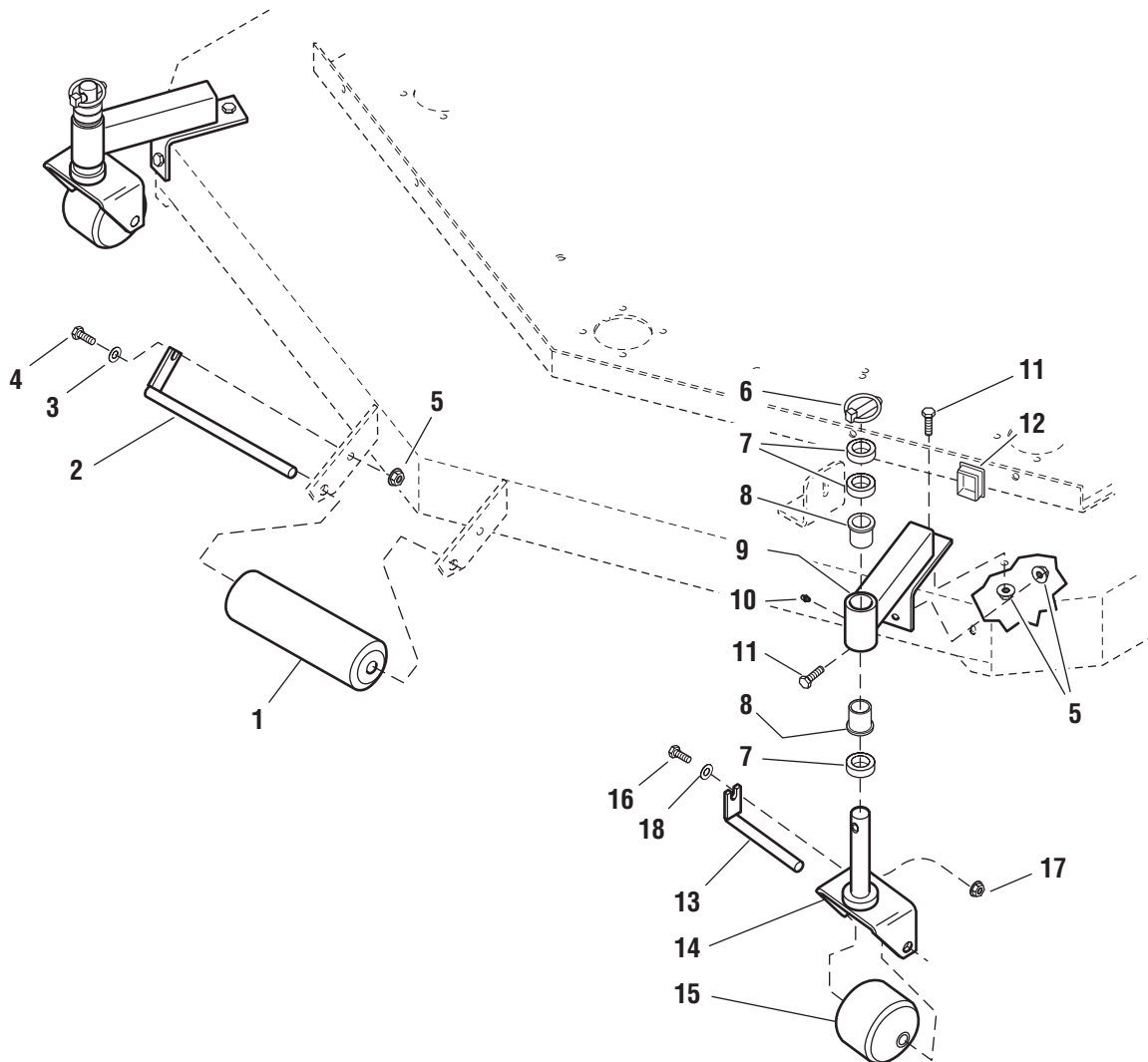
Footnotes:

The above parts group applies to the following Model Nos.:

5000/72
5000/72R

72" Mower Deck - Rollers & Casters

NOTE: Unless noted otherwise,
use the standard hardware torque
specification chart.



The above parts group applies to the following Model Nos.:

5000/72
5000/72R

72" Mower Deck - Rollers & Casters

REF NO.	PART NO.	QTY.	DESCRIPTION
1	20785	1	ROLLER, Nose
2	41655	1	ROLLER PIN
3	25156	1	WASHER, 3/8
4	25013-8	1	CAPSCREW, Hex Head, 3/8-16 x 1
5	25128	5	NUT, Hex Serrated Flange, 3/8-16
6	20655	2	LYNCH PIN
7	41476	6	SPACER, 1.02 x 1.56 x .50
8	21541	4	BUSHING, Flange
9	46965	2	CASTER MOUNT ARM
10	20095	2	GREASE FITTING
11	25013-6	4	CAPSCREW, Hex Head, 3/8-16 x 3/4
12	22098	2	CAP, Plastic
13	45034	2	CASTER ROLLER PIN
14	45188	2	CASTER YOKE
15	22060	2	ROLLER, Caster
16	25011-6	2	CAPSCREW, Hex Head, 5/16-18 x 3/4
17	25127	2	NUT, Hex Serrated Flange, 5/16-18
18	25292	2	WASHER, GD 9, 5/16

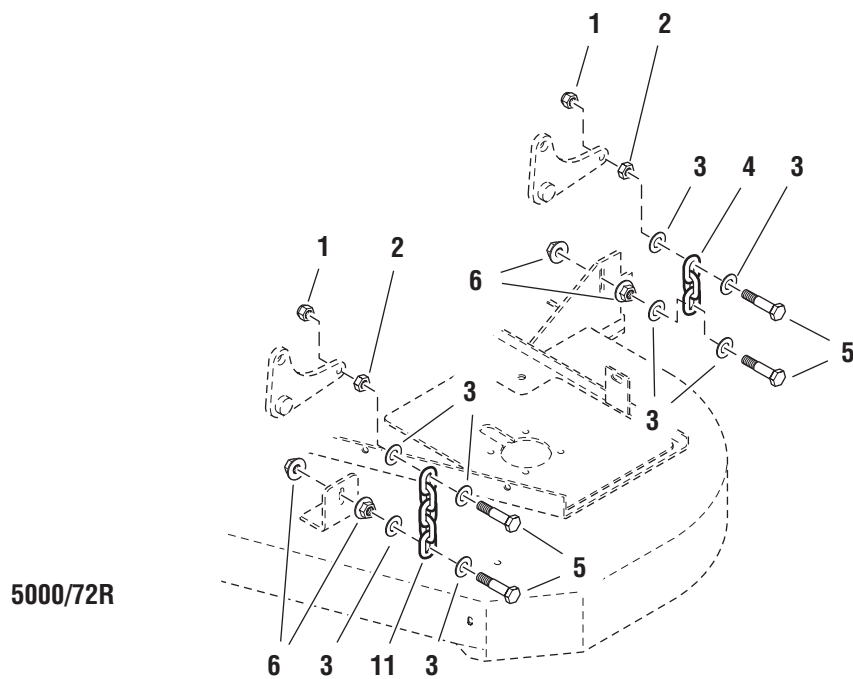
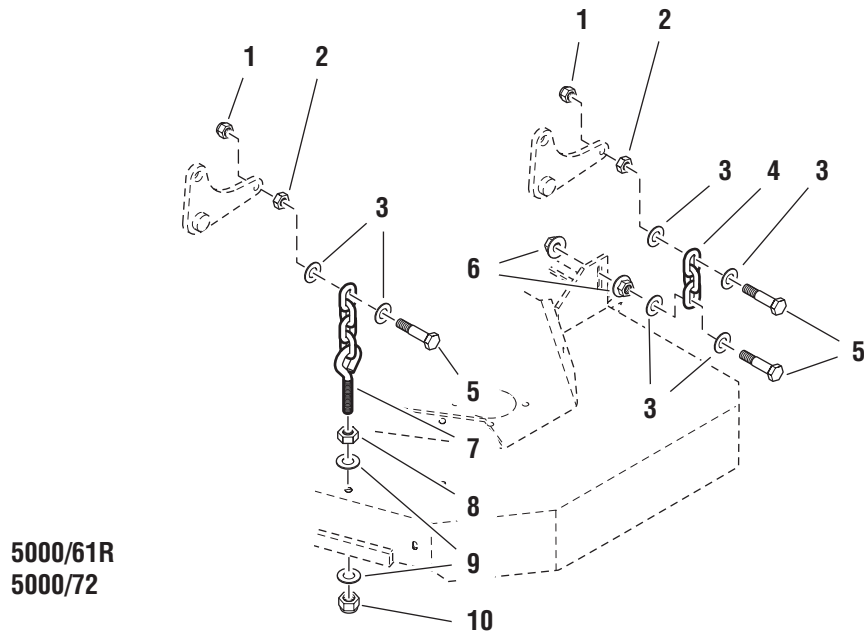
Footnotes:

The above parts group applies to the following Model Nos.:

5000/72
5000/72R

All Mower Decks - Hanger Chains

NOTE: Unless noted otherwise,
use the standard hardware torque
specification chart.



The above parts group applies to the following Model Nos.:

5000/72
5000/72R
5000/61R

All Mower Decks - Hanger Chains

REF NO.	PART NO.	QTY.	DESCRIPTION
1	25096	4	NUT, Hex Nylon Lock, 3/8-16
2	25084	4	NUT, Hex Jam, 3/8-16
3	25156	12	WASHER, 3/8
4	50878-3	2	CHAIN, 3 LINKS
5	25013-14	6	CAPSCREW, Hex Head, 3/8-16 x 1-3/4
6	25128	4	NUT, Hex Serrated Flange, 3/8-16
7	45026	2	FRONT HANGER ASSEMBLY
8	25038	2	NUT, Hex, 1/2-13
9	25158	4	WASHER, 1/2
10	25056	2	NUT, Hex Nylon Lock, 1/2-13
11	50878-5	2	CHAIN, 5 LINKS

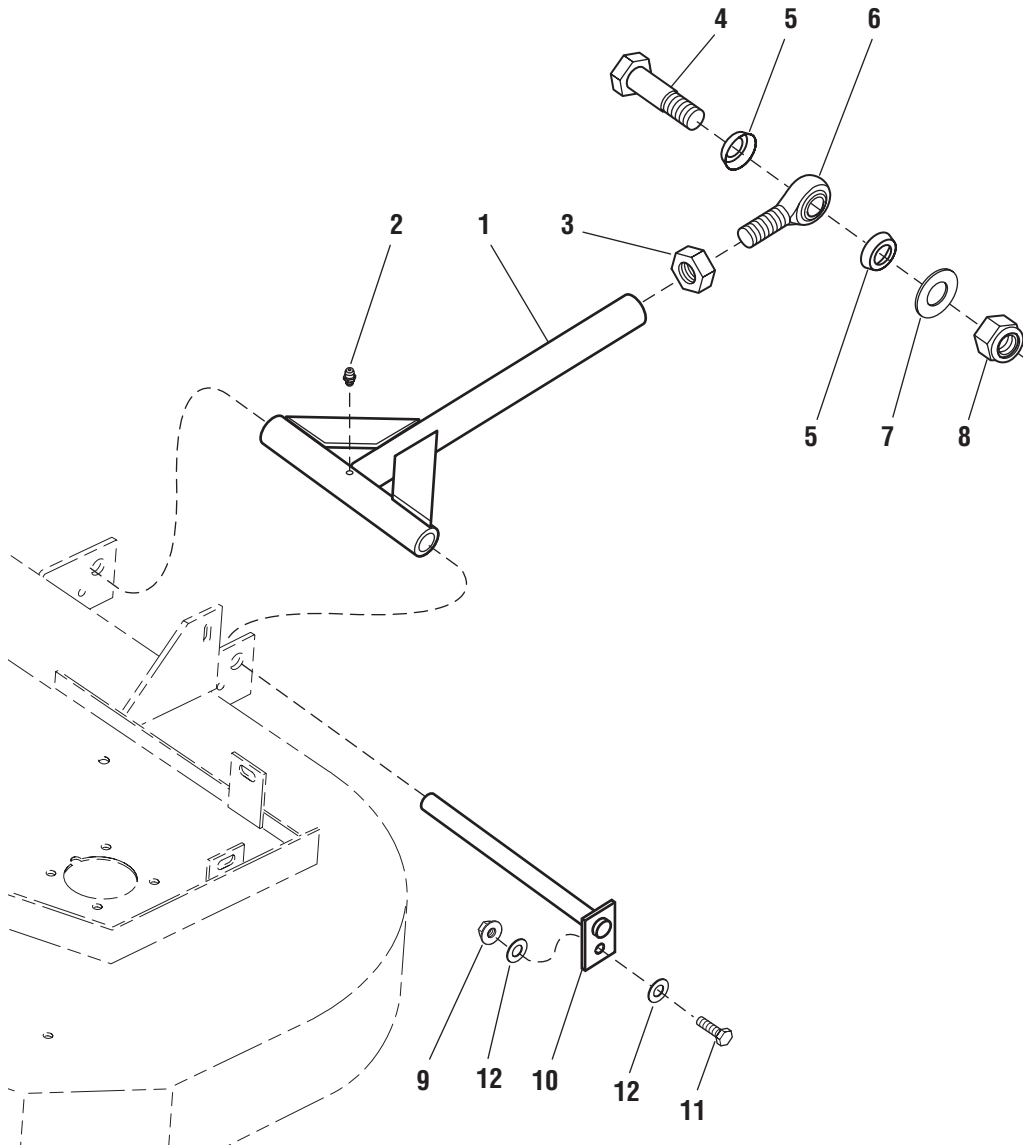
Footnotes:

The above parts group applies to the following Model Nos.:

5000/72
5000/72R
5000/61R

All Mower Decks - Rear Mount Bars

NOTE: Unless noted otherwise,
use the standard hardware torque
specification chart.



The above parts group applies to the following Model Nos.:

5000/72
5000/72R
5000/61R

All Mower Decks - Rear Mount Bars

REF NO.	PART NO.	QTY.	DESCRIPTION
1	45009	2	DECK PUSHER BAR
2	20095	2	GREASE FITTING
3	25093	2	NUT, Hex, Jam, 3/4-16
4	25265-24	2	CAPSCREW, Hex Head, 3/4-16 x 3
5	22111	4	SEAL, Rod End
6	22039	2	BALL JOINT, 3/4-16
7	25160	2	WASHER, 3/4
8	25284	2	NUT, Hex Nylon Lock, 3/4-16
9	25096	2	NUT, Hex Nylon Lock, 3/8-16
10	45037	2	PUSHER BAR MOUNT PIN
11	25013-10	2	CAPSCREW, Hex Head, 3/8-16 x 1-1/4
12	25156	4	WASHER, 3/8

Footnotes:

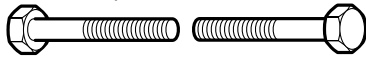
The above parts group applies to the following Model Nos.:

5000/72
5000/72R
5000/61R

Hardware Identification & Torque Specifications

Common Hardware Types

Hex Head Capscrew



Washer



Lockwasher

Carriage Bolt



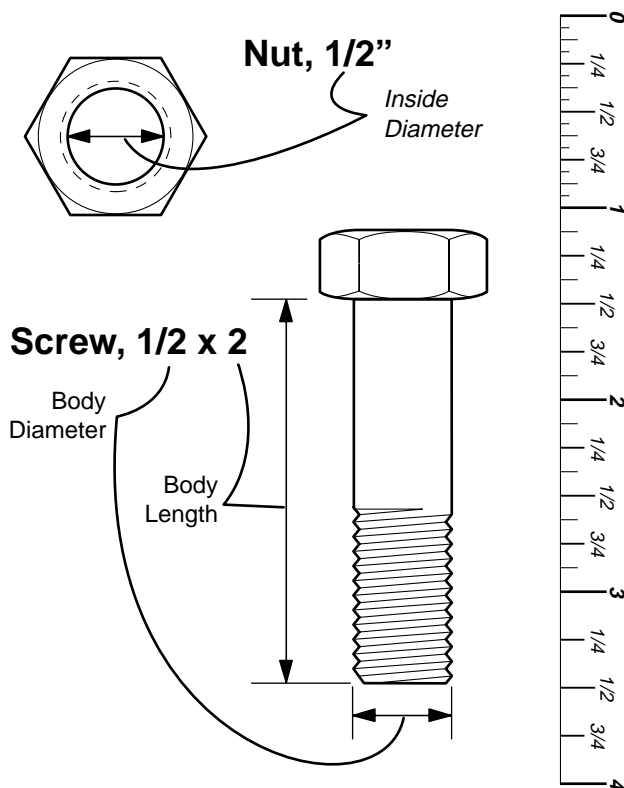
Hex Nut

Standard Hardware Sizing

When a washer or nut is identified as **1/2"**, this is the *nominal size*, meaning the *inside diameter* is 1/2 inch; if a second number is present it represents the *threads per inch*.

When a bolt or capscrew is identified as **1/2 - 16 x 2"**, this means the *nominal size*, or *body diameter* is 1/2 inch; the second number represents the *threads per inch* (16 in this example), and the final number is the *body length* of the bolt or screw (2 inches long in this example).

The guides and ruler furnished below are designed to help you select the appropriate hardware and tools.



Torque Specification Chart						
FOR STANDARD MACHINE HARDWARE (Tolerance ± 20%)						
Hardware Grade	No Marks SAE Grade 2		SAE Grade 5		SAE Grade 8	
	in/lbs ft/lbs	Nm.	in/lbs ft/lbs	Nm.	in/lbs ft/lbs	Nm.
8-32	19	2.1	30	3.4	41	4.6
8-36	20	2.3	31	3.5	43	4.9
10-24	27	3.1	43	4.9	60	6.8
10-32	31	3.5	49	5.5	68	7.7
1/4-20	66	7.6	8	10.9	12	16.3
1/4-28	76	8.6	10	13.6	14	19.0
5/16-18	11	15.0	17	23.1	25	34.0
5/16-24	12	16.3	19	25.8	27	34.0
3/8-16	20	27.2	30	40.8	45	61.2
3/8-24	23	31.3	35	47.6	50	68.0
7/16-14	30	40.8	50	68.0	70	95.2
7/16-20	35	47.6	55	74.8	80	108.8
1/2-13	50	68.0	75	102.0	110	149.6
1/2-20	55	74.8	90	122.4	120	163.2
9/16-12	65	88.4	110	149.6	150	204.0
9/16-18	75	102.0	120	163.2	170	231.2
5/8-11	90	122.4	150	204.0	220	299.2
5/8-18	100	136	180	244.8	240	326.4
3/4-10	160	217.6	260	353.6	386	525.0
3/4-16	180	244.8	300	408.0	420	571.2
7/8-9	140	190.4	400	544.0	600	816.0
7/8-14	155	210.8	440	598.4	660	897.6
1-8	220	299.2	580	788.8	900	1,244.0
1-12	240	326.4	640	870.4	1,000	1,360.0

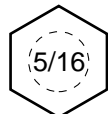
NOTES

- These torque values are to be used for all hardware excluding: locknuts, self-tapping screws, thread forming screws, sheet metal screws and socket head setscrews.
- Recommended seating torque values for locknuts:
 - For prevailing torque locknuts: use 65% of Grade 5 torque.
 - For flange whizlock nuts and screws: use 135% of Grade 5 torque.
- Unless otherwise noted on assembly drawings, all torque values must meet this specification.

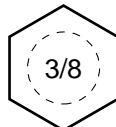
Wrench & Fastener Size Guide



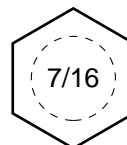
1/4" Bolt or Nut
Wrench—7/16"



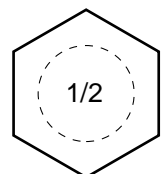
5/16" Bolt or Nut
Wrench—1/2"



3/8" Bolt or Nut
Wrench—9/16"



7/16" Bolt or Nut
Wrench (Bolt)—5/8"
Wrench (Nut)—11/16"



1/2" Bolt or Nut
Wrench—3/4"

PARTS MANUAL

IS5000Z Series

Zero-Turn Riding Mower

IT IS THE POLICY OF FERRIS INDUSTRIES, INC. TO IMPROVE ITS PRODUCTS WHENEVER IT IS POSSIBLE AND PRACTICAL TO DO SO. WE RESERVE THE RIGHT TO MAKE CHANGES OR ADD IMPROVEMENTS AT ANY TIME WITHOUT INCURRING ANY OBLIGATION TO MAKE SUCH CHANGES ON PRODUCTS MANUFACTURED PREVIOUSLY.



Ferris Industries
5375 North Main Street
Munnsville, NY 13409
800-933-6175

www.ferrisindustries.com

© Copyright 2004 Ferris Industries
All Rights Reserved. Printed in USA.

